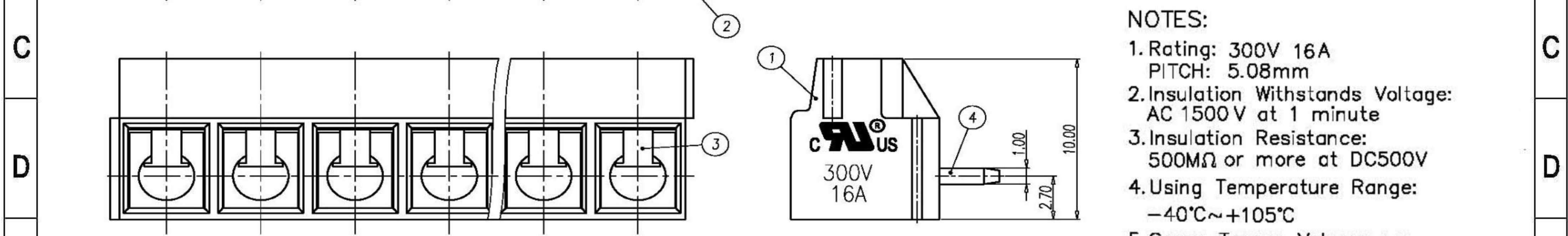
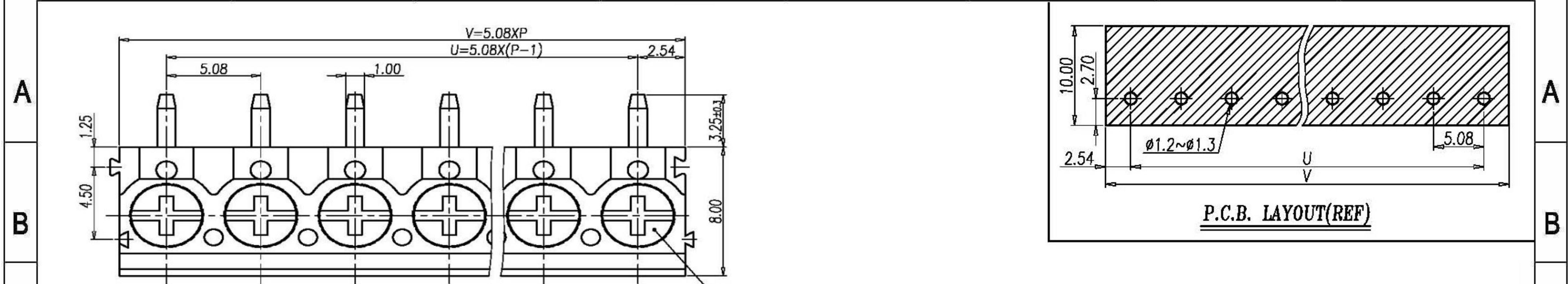


1 2 3 4 5 6 7 8



- NOTES:
1. Rating: 300V 16A
PITCH: 5.08mm
 2. Insulation Withstands Voltage:
AC 1500V at 1 minute
 3. Insulation Resistance:
500MΩ or more at DC500V
 4. Using Temperature Range:
-40°C~+105°C
 5. Screw Torque Value: 0.4 N·m
 6. Suitable Electric Wire: AWG 24~14
 7. RoHS compliance

P	2	3	4	5	6	7	8	9	10	11	12	13	14	15	16	17	18
U	5.08	10.16	15.24	20.32	25.40	30.48	35.56	40.64	45.72	50.80	55.88	60.96	66.04	71.12	76.20	81.28	86.36
V	10.16	15.24	20.32	25.40	30.48	35.56	40.64	45.72	50.80	55.88	60.96	66.04	71.12	76.20	81.28	86.36	91.44
P	19	20	21	22	23	24	25	26	27	28	29	30	31	32	33	34	35
U	91.44	96.52	101.60	106.68	111.76	116.84	121.92	127.0	132.08	137.16	142.24	147.32	152.4	157.48	162.56	167.64	172.72
V	96.52	101.60	106.68	111.76	116.84	121.92	127.0	132.08	137.16	142.24	147.32	152.4	157.48	162.56	167.64	172.72	177.8

4	SOLDER PIN	COPPER ALLOY	M2.5 Tin Plated
3	CLAMPING	Stainless Steel	
2	SCREW	STEEL	M2.5 Zn Plated
1	HOUSING	PA66	UL94-V0 GREEN
ITEM	NAME OF PART	MATERIAL	NOTES

Normal Geometric Tolerancing				
-	//	≡	⊥	
0 to 100	0.2	0.3	0 to 10	0.2
over 100 to 150	0.3		over 10	0.3
over 150	0.5			
Total Pitch Tolerances		Normal dimension Tolerances		
0<U≤30	±0.20	0~30	±0.25	
30<U≤53	±0.25	over 30~53	±0.30	
53<U≤70	±0.30	over 53~70	±0.35	
70<U≤90	±0.35	over 70~90	±0.44	
90<U≤115	±0.44	over 90~115	±0.55	
115<U≤150	±0.55	over 115~150	±0.70	
150<U≤200	±0.70	over 150~200	±0.85	

RoHS Compliant

HSM 玄茂科技股份有限公司

HSUAN MAO TECHNOLOGY CO., LTD.

APPD. 核准 DWG. 製圖 DATE 制表日 2011/7/8	SCALE 比例 參考 UNIT 單位 MM PAGE 張數 1 OF 1	TOLERANCE 容許公差 .0 ± .00 ± ANG. ± SIZE 紙張尺寸 A4 REV. 版本 A	PART NAME 品名 5.08mm TERMINAL BLOCK XXPIN RIGHT ANGLE H=10mm 14-24AWG TIN PLATED GREEN INSULATOR ROHS PART NO. 料號 C0909-XXRTTE00R
---	---	--	--

1 2 3 4 5 6 7 8