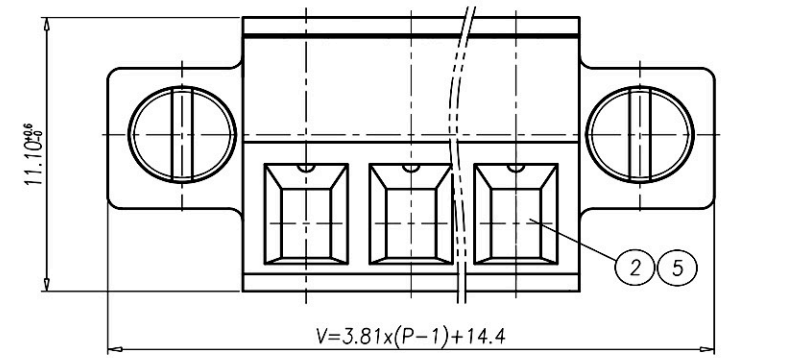
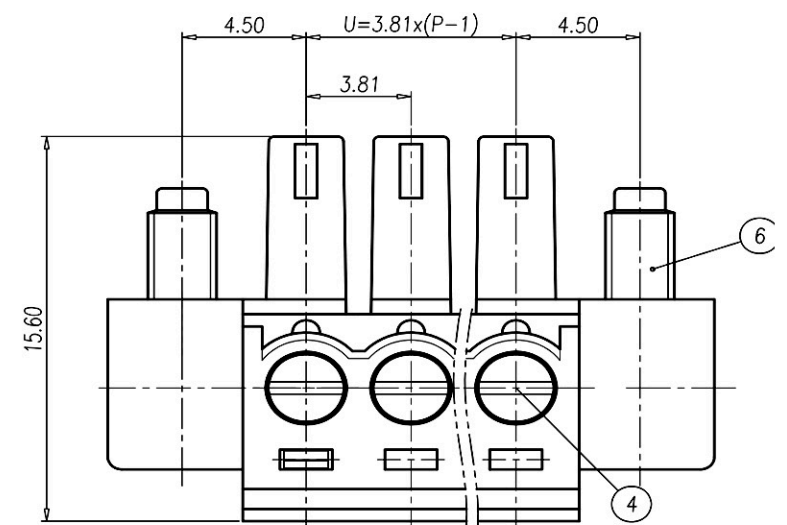


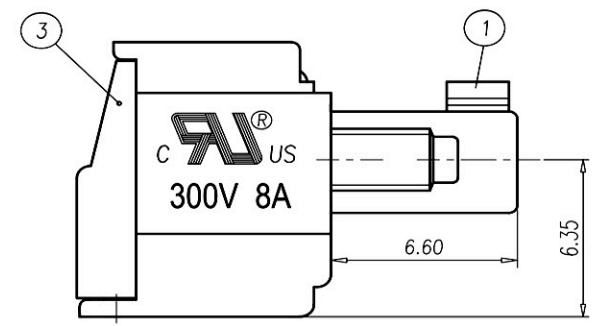
1 2 3 4 5 6 7 8



NOTES 1:
 UL Standard :
 1. Rating: 300V 8A
 PITCH: 3.81mm
 2. Insulation Withstands Voltage:
 AC 2000V at 1 minute
 3. Using Temperature Range:
 -40°C~+115°C
 4. Suitable Electric Wire: AWG 28~14
 5. Screw Torque Value: 0.19N·m
 IEC Standard:
 1. Rating: 320V 14A
 2. Rate Impulse Voltage: 2500V
 3. Insulation Resistance:
 500MΩ or more at DC500V
 4. Material Group : I
 5. Pollution Degree : 2
 6. Overvoltage Category: II
 7. Using Temperature Range:
 -40°C~+110°C
 8. Screw Torque Value: 0.2N·m
 9. Suitable Electric Wire: 0.2~1.5mm²

NOTES 2:
 1. RoHS compliance
 2. Strip Length: 6~7mm

| Normal Geometric Tolerancing | | | |
|------------------------------|-------|-----------------------------|---------|
| — | // | ≡ | ⊥ |
| 0 to 100 | 0.2 | 0.3 | 0 to 10 |
| over 100 to 150 | 0.3 | | over 10 |
| over 150 | 0.5 | | 0.3 |
| Total Pitch Tolerances | | Normal Dimension Tolerances | |
| 0~30 | ±0.20 | 0~30 | ±0.25 |
| over 30~53 | ±0.25 | over 30~53 | ±0.30 |
| over 53~70 | ±0.30 | over 53~70 | ±0.35 |
| over 70~90 | ±0.35 | over 70~90 | ±0.44 |
| over 90~115 | ±0.44 | over 90~115 | ±0.55 |
| over 115~150 | ±0.55 | over 115~150 | ±0.70 |
| over 150~200 | ±0.70 | over 150~200 | ±0.85 |
| over 200~250 | ±0.85 | over 200~250 | ±1.00 |
| over 250~320 | ±1.00 | over 250~320 | ±1.20 |



| | | | | | | | | | | | | |
|---|-------|-------|-------|-------|-------|-------|-------|-------|-------|-------|--------|-------|
| P | 2 | 3 | 4 | 5 | 6 | 7 | 8 | 9 | 10 | 11 | 12 | 13 |
| U | 3.81 | 7.62 | 11.43 | 15.24 | 19.05 | 22.86 | 26.67 | 30.48 | 34.29 | 38.1 | 41.91 | 45.72 |
| V | 18.21 | 22.02 | 25.83 | 29.64 | 33.45 | 37.26 | 41.07 | 44.88 | 48.69 | 52.5 | 56.31 | 60.12 |
| P | 14 | 15 | 16 | 17 | 18 | 19 | 20 | 21 | 22 | 23 | 24 | |
| U | 49.53 | 53.34 | 57.15 | 60.96 | 64.77 | 68.58 | 72.39 | 76.2 | 80.01 | 83.82 | 87.63 | |
| V | 63.93 | 67.74 | 71.55 | 75.36 | 79.17 | 82.98 | 86.79 | 90.6 | 94.41 | 98.22 | 102.03 | |

| | | | |
|------|--------------|--------------|----------------|
| 6 | SCREW2 | STEEL | M2.5/Zn Plated |
| 5 | CLAMP | COPPER ALLOY | Tin Plated |
| 4 | SCREW1 | STEEL | M2/Zn Plated |
| 3 | END COVER | PA | UL94-V0 GREEN |
| 2 | WIRE CAGE | COPPER ALLOY | M2/Ni Plated |
| 1 | HOUSING | PA | UL94-V0 GREEN |
| ITEM | NAME OF PART | MATERIAL | NOTES |

RoHS
Compliant

HSM 玄茂科技股份有限公司
HSUAN MAO TECHNOLOGY CO., LTD.

| | | | | | |
|-------------|--------|-------------------|--------------|--|--------------|
| APPD. 核准 | | TOLERANCE 容許公差 | PART NAME 品名 | | |
| DWG. 製圖 | | SCALE 比例 | | 3.81mm TERMINAL GREEN WIRE CAGE TYPE SUITABLE FOR 14~28AWG XXP WITH EAR NICKEL PLATED BLACK COLOR ROHS | |
| DATE 制表日 | | UNIT 單位 | | | SIZE 線規尺寸 |
| 2016/10/7 | | M M | | | A 4 |
| PAGE 張數 | 1 OF 1 | REV. 版本 | B | | |
| | | PART NO. 料號 | | | |
| | | C0912-XXY9NE00R | | | |

1 2 3 4 5 6 7 8