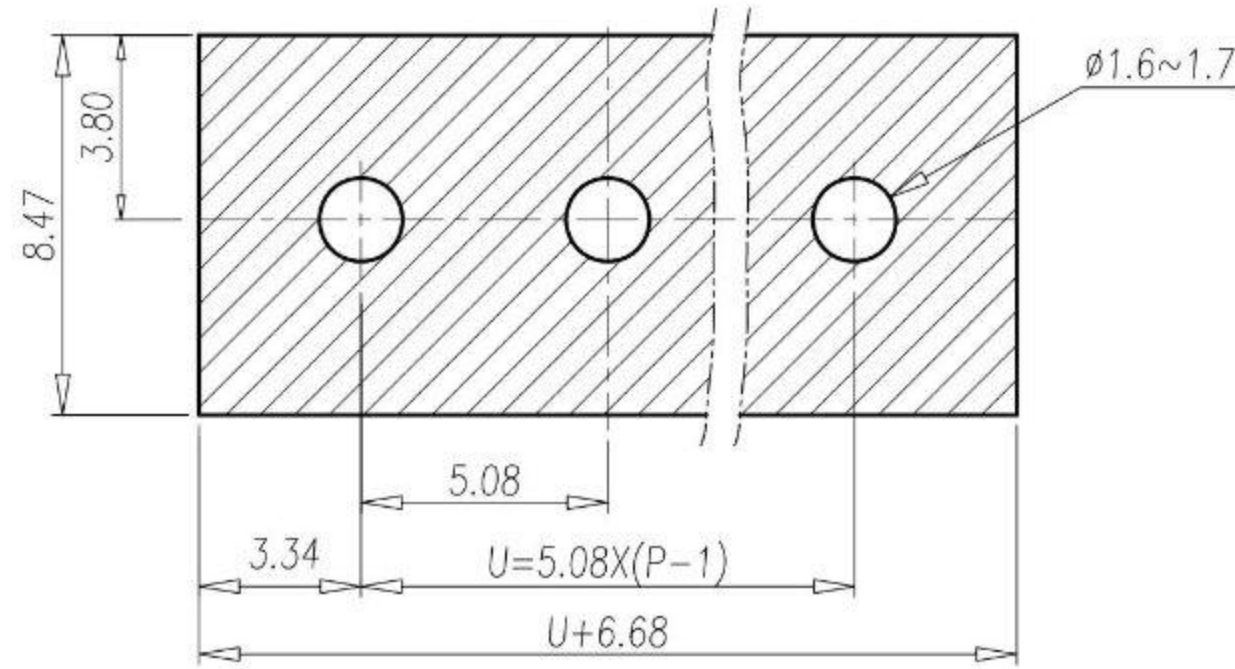
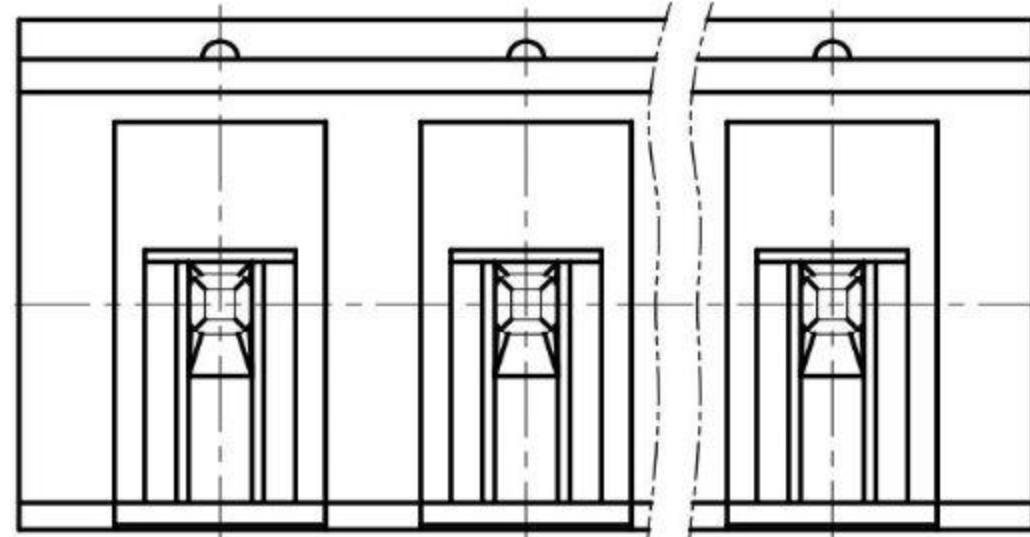


NOTES:

- Rating: 300V 15A(IEC 250V 17.5A)
PITCH: 5.08mm
- Insulation Withstands Voltage:
AC 2000V at 1 minute
- Insulation Resistance:
500MΩ or more at DC500V
- Using Temperature Range:
-40°C~+105°C
- RoHS Compliance

2	SOLDER PIN	COPPER ALLOY	Tin Plated
1	HOUSING	PA66	UL94-V0 GREEN
ITEM	NAME OF PART	MATERIAL	NOTES



P.C.B. LAYOUT(REF)
S=5:1

Normal Geometric Tolerancing				
-	//	≡	⊥	
0 to 100	0.2	0.3	0 to 10	0.2
over 100 to 150	0.3		over 10	0.3
over 150	0.5			
Total Pitch Tolerances		Normal dimension Tolerances		
0<U≤30	±0.20	0~30	±0.25	
30<U≤53	±0.25	over 30~53	±0.30	
53<U≤70	±0.30	over 53~70	±0.35	
70<U≤90	±0.35	over 70~90	±0.44	
90<U≤115	±0.44	over 90~115	±0.55	
115<U≤150	±0.55	over 115~150	±0.70	
150<U≤200	±0.70	over 150~200	±0.85	
200<U≤250	±0.85	over 200~250	±1.00	
250<U≤320	±1.00	over 250~320	±1.20	

P	2	3	4	5	6	7	8	9	10	11	12	13	14
U	5.08	10.16	15.24	20.32	25.40	30.48	35.56	40.64	45.72	50.80	55.88	60.96	66.04
P	15	16	17	18	19	20	21	22	23	24	25	26	
U	71.12	76.20	81.28	86.36	91.44	96.52	101.6	106.68	111.76	116.84	121.92	127.00	

RoHS Compliant	HSM 玄茂科技股份有限公司 HSUAN MAO TECHNOLOGY CO., LTD.	
APPD. 核准 BETTY	TOLERANCE 容許公差 .0 ± .00 ± ANG. ±	PART NAME 品名 5.08mm TERMINAL BLOCK PCB TYPE XXP 180° GREEN COLOR FOUR COVERS & WITHOUT SCREWS ROHS
DWG. 製圖 KAREN	SCALE 比例 參考	PART NO. 料號 C0920-XXSTEC00R
DATE 制表日 2012/08/28	UNIT 單位 MM	REV. 版本 A
	PAGE 張數 1 OF 1	