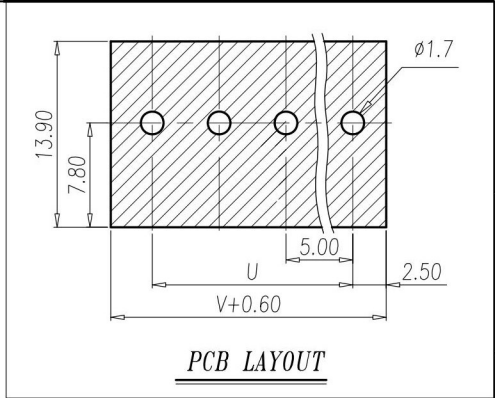


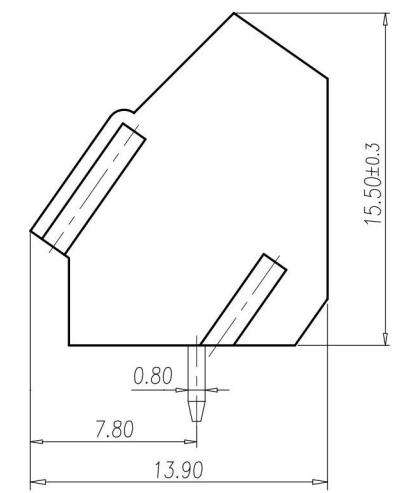
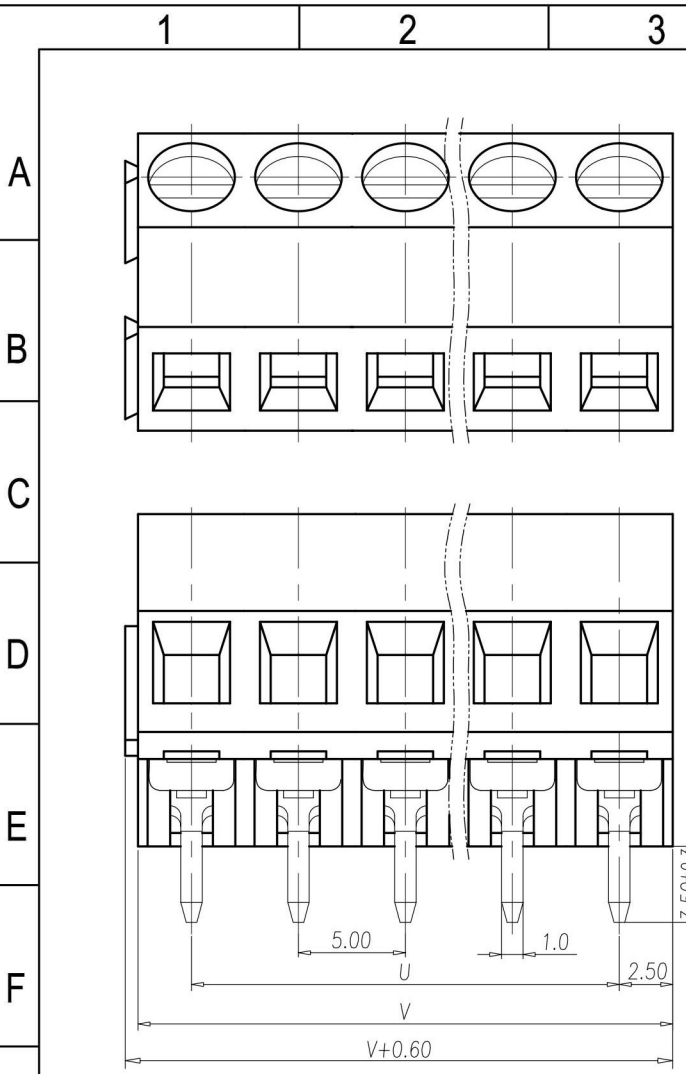
P	2	3	4	5	6	7	8	9	10	11	12	13
U	5.00	10.00	15.00	20.00	25.00	30.00	35.00	40.00	45.00	50.00	55.00	60.00
V	10.00	15.00	20.00	25.00	30.00	35.00	40.00	45.00	50.00	55.00	60.00	65.00
P	14	15	16	17	18	19	20	21	22	23	24	25
U	65.00	70.00	75.00	80.00	85.00	90.00	95.00	100.00	105.00	110.00	115.00	120.00
V	70.00	75.00	80.00	85.00	90.00	95.00	100.00	105.00	110.00	115.00	120.00	125.00
P	26	27	28	29	30	31	32	33	34	35	36	37
U	125.00	130.00	135.00	140.00	145.00	150.00	155.00	160.00	165.00	170.00	175.00	180.00
V	130.00	135.00	140.00	145.00	150.00	155.00	160.00	165.00	170.00	175.00	180.00	185.00
P	38	39	40	41	42	43	44					
U	185.00	190.00	195.00	200.00	205.00	210.00	215.00					
V	190.00	195.00	200.00	205.00	210.00	215.00	220.00					



- IEC Standard:
1. Rating: 250V 24A
 2. Rate Impulse Voltage: 4000V
 3. Insulation Resistance: 500MΩ or more at DC500V
 4. Material Group : I
 5. Pollution Degree : 2
 6. Overvoltage Category: III
 7. Using Temperature Range: -40°C~+110°C
 8. Screw Torque Value: 0.5N·m
 9. Suitable Electric Wire: 0.14~2.5mm²

- NOTES 2:
1. RoHS compliance
 2. Strip Length: 6~7mm
 3. Pole sizes 02-16 are single piece housing
Pole sizes 17-44 are assembled housing

ITEM	NAME OF PART	MATERIAL	NOTES
4	SOLDER PIN	COPPER ALLOY	Tin Plated
3	WIRE CAGE	STEEL	M2.5/Zn Plated
2	SCREW	STEEL	M2.5/Zn Plated
1	HOUSING	PA	UL94-V0 GREEN



- NOTES 1:
- UL Standard :
1. Rating: 300V 20A
 2. Insulation Withstands Voltage: AC 2000V at 1 minute
 3. Using Temperature Range: -40°C~+115°C
 4. Screw Torque Value: 0.5N·m
 5. Suitable Electric Wire: AWG 24~12

Total Pitch Tolerances		Normal Dimension Tolerances	
0~30	±0.20	0~30	±0.25
over 30~53	±0.25	over 30~53	±0.30
over 53~70	±0.30	over 53~70	±0.35
over 70~90	±0.35	over 70~90	±0.44
over 90~115	±0.44	over 90~115	±0.55
over 115~150	±0.55	over 115~150	±0.70
over 150~200	±0.70	over 150~200	±0.85
over 200~250	±0.85	over 200~250	±1.00
over 250~320	±1.00	over 250~320	±1.20

RoHS Compliant

HSM 玄茂科技股份有限公司

HSUAN MAO TECHNOLOGY CO., LTD.

APPD. 核准	HELEN		TOLERANCE 容許公差	PART NAME 品名
DWG. 製圖	ABBY	SCALE 比例 參考	.0 ±	5.0mm TERMINAL BLOCK
DATE 制表日	2016/04/22	UNIT 單位	.00 ±	XXPIN GREEN INSULATOR
		MM	ANG. ±	45° H:15.4mm SUITABLE FOR 12~24AWG ROHS
		PAGE 張數	SIZE. 紙張尺寸	PART NO.
		1 / 1	A 4	料號 C0921-XXP5TE00R
			REV. 版次	
			C	