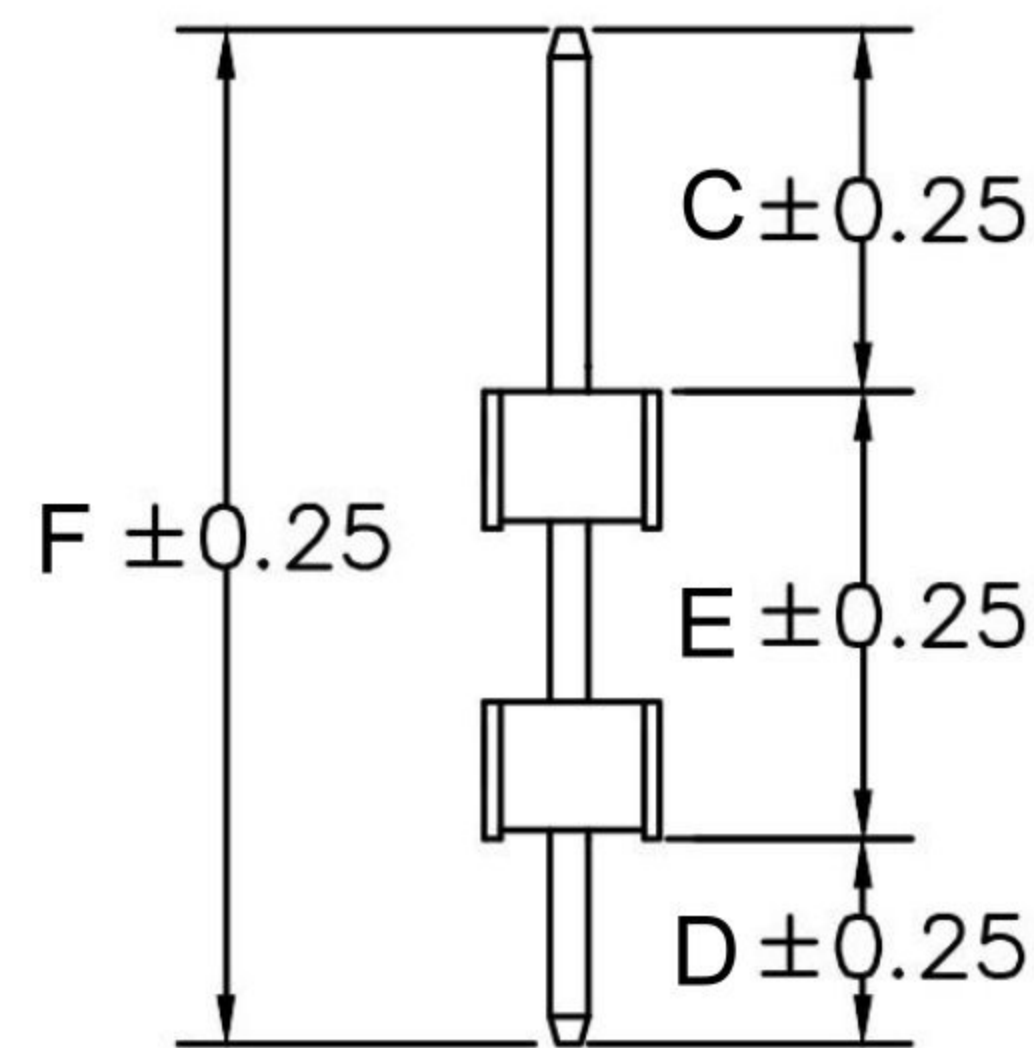
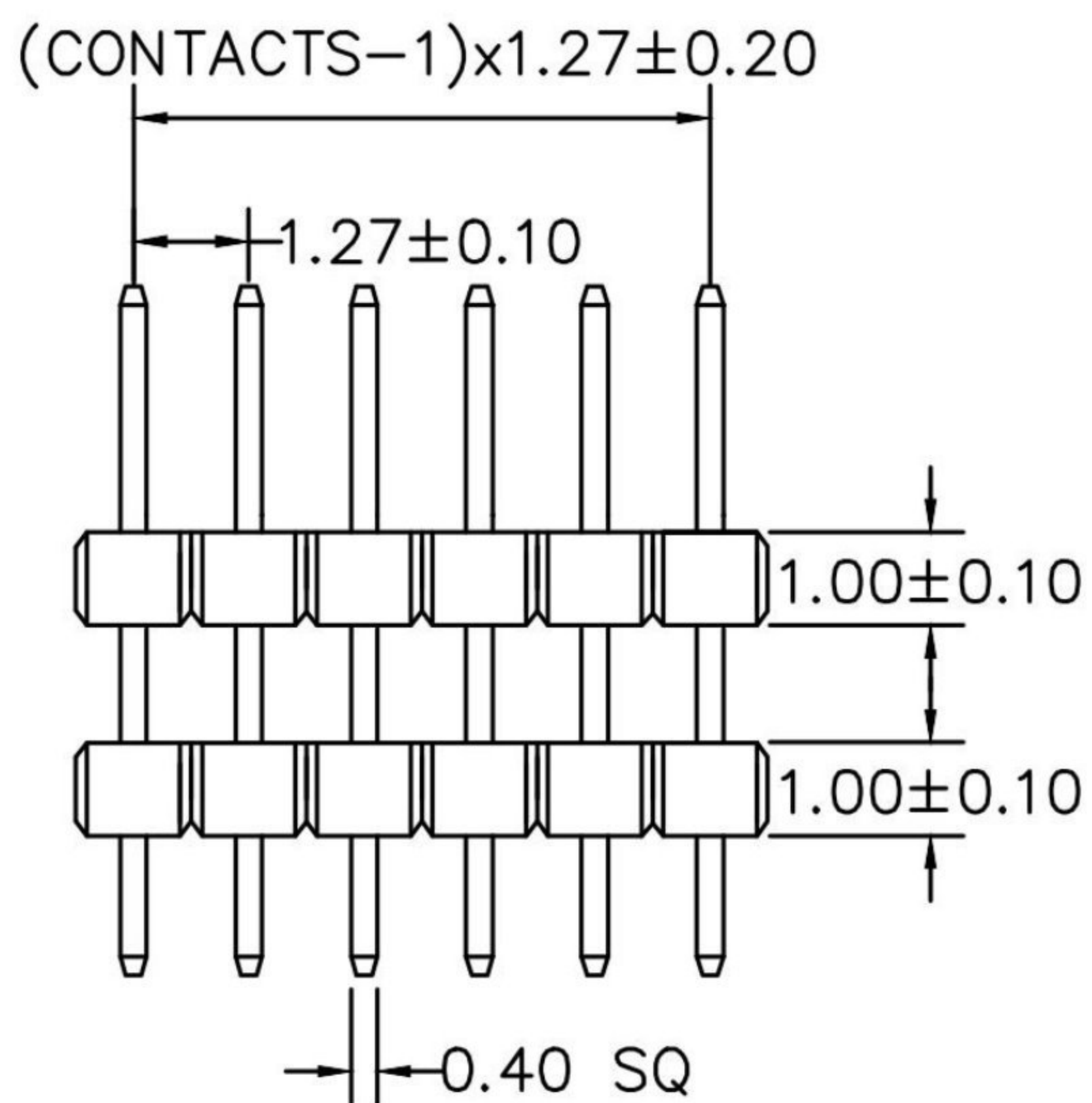


RECOMMENDED P.C.B LAYOUT



F: 9.00 mm C: 2.50 mm D: 2.50 mm E: 4.00 mm

CONTACTS	1X26
1X2	1X27
1X3	1X28
1X4	1X29
1X5	1X30
1X6	1X31
1X7	1X32
1X8	1X33
1X9	1X34
1X10	1X35
1X11	1X36
1X12	1X37
1X13	1X38
1X14	1X39
1X15	1X40
1X16	1X41
1X17	1X42
1X18	1X43
1X19	1X44
1X20	1X45
1X21	1X46
1X22	1X47
1X23	1X48
1X24	1X49
1X25	1X50

MATERIAL
 HOUSING : NYLON 6T,UL94V-0
 CONTACT : COPPER ALLOYS
 PLATED : GOLD-FLASH
 COLOR : BLACK

SPECIFICATION
 CURRENT: 1A
 OPERATING TEMPERATURE: -55°C TO +105°C
 CONTACT RESISTANCE : 20 MILLIOHMS MAX
 INSULATION RESISTANCE : 5000 MEGAOHMS MIN
 DIELECTRIC STRENGTH : 1000 VAC MIN

RoHS Compliant		HSM 玄茂科技股份有限公司 HSUAN MAO TECHNOLOGY CO., LTD.	
APPD. 核准 HELEN		TOLERANCE 容許公差 .0±0.38 .00±0.25 ANG=±5°	PART NAME 品名 1.27mm PIN HEADER SINGLE ROW DUAL INSULATORS 1XXXP STRAIGHT TYPE H:1.0mm (C=2.5mm D=2.5mm E=4.0mm) ROHS
DWG. 製圖 ABBY	SCALE 比例 參考	UNIT 單位 MM	SIZE. 紙張尺寸 A4
DATE 制表日 2016/07/18	PAGE 張數 1 OF 1	REV. 版次 A	PART NO. 料號 C1172-XXESXCA0R