

1 2 3 4 5 6 7 8

A

B

C

D

E

F

G

H

A

B

C

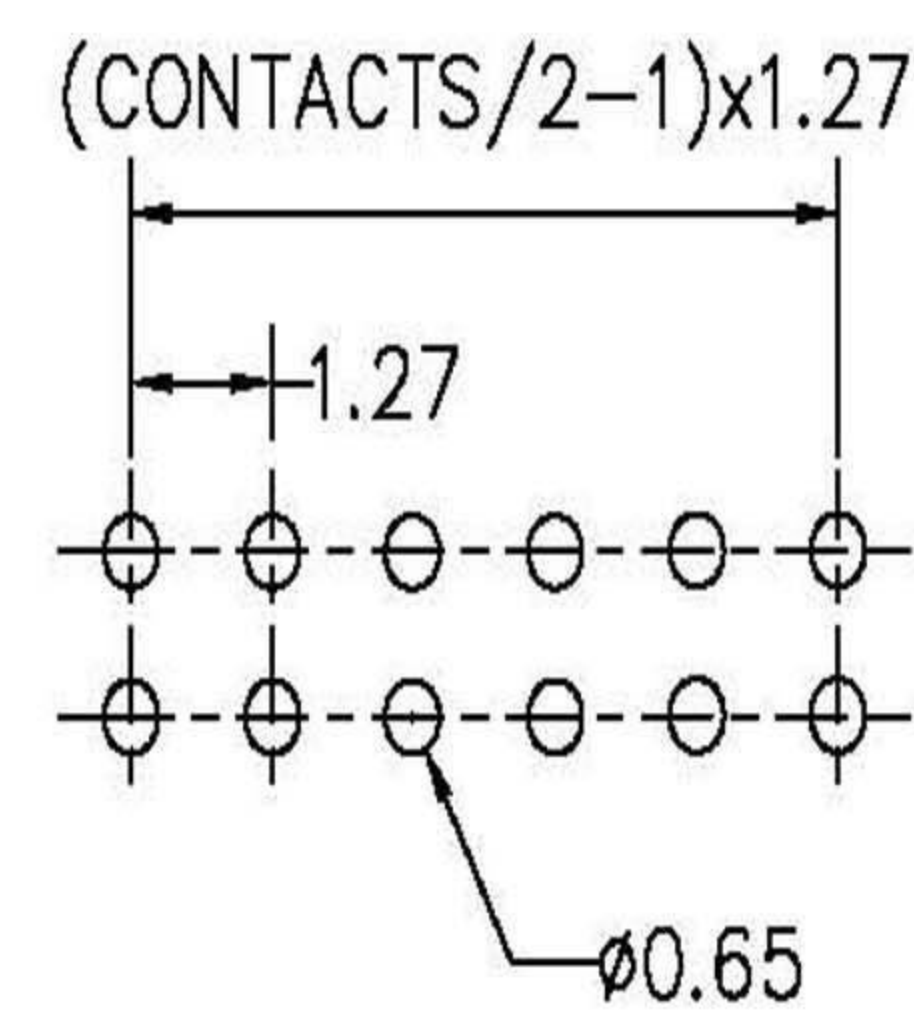
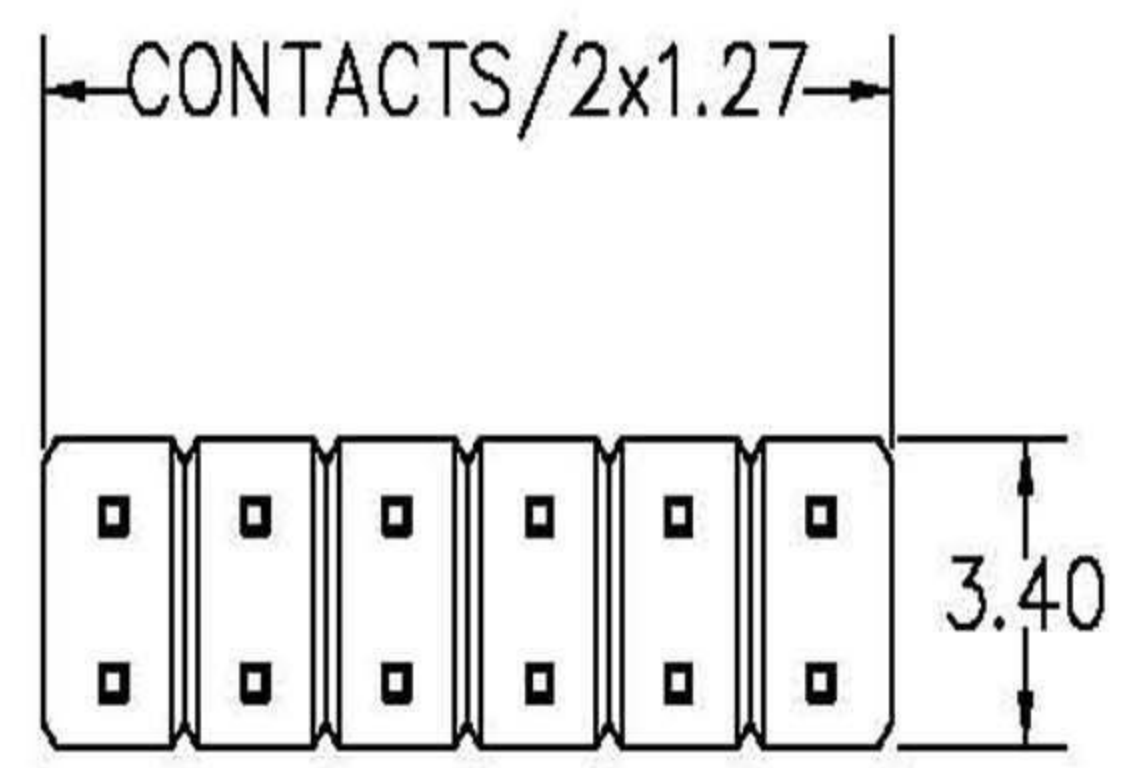
D

E

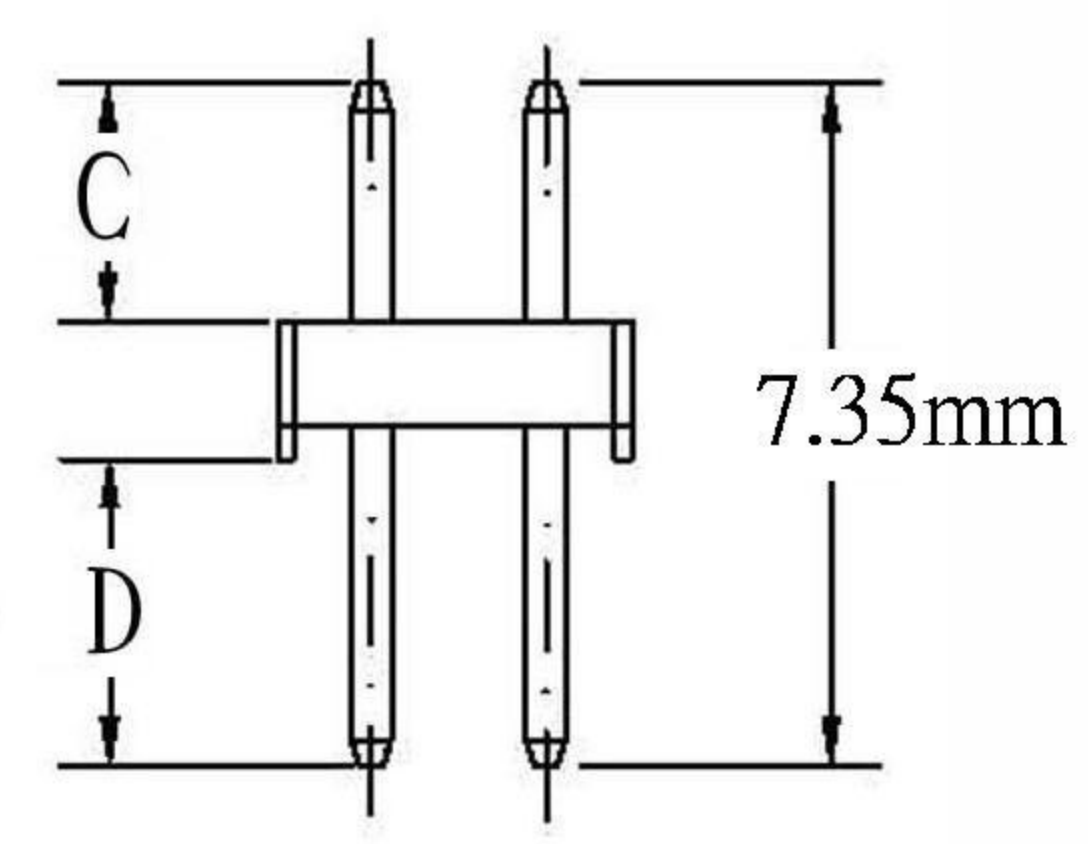
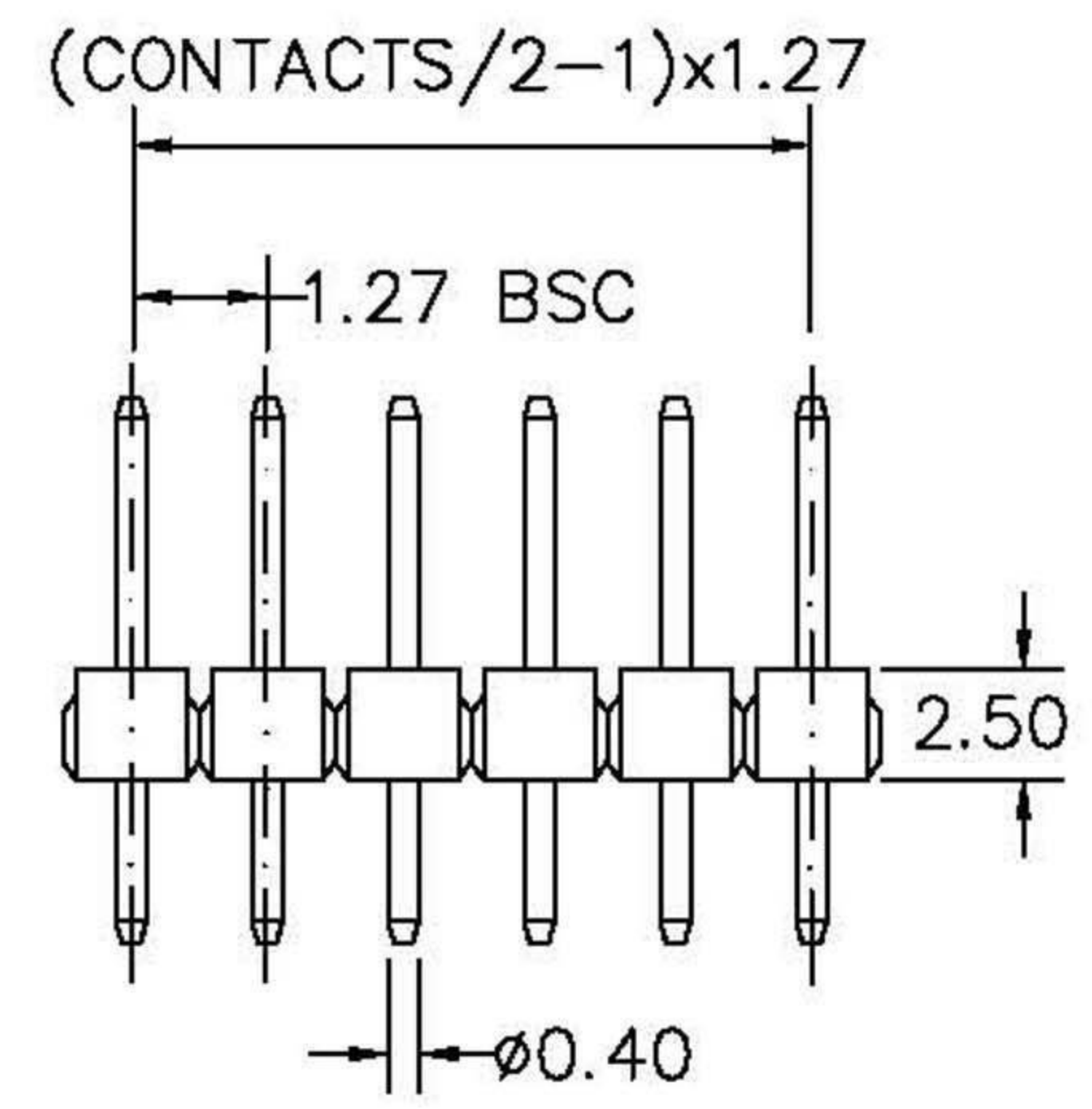
F

G

H



RECOMMENDED P.C.B LAYOUT



C=2.85mm D=2.0mm

MATERIAL
HOUSING : THERMOPLASTIC UL94V-0
CONTACT : COPPER ALLOYS

SPECIFICATION
CURRENT: 1A
OPERATING TEMPERATURE: -55°C TO +105°C
CONTACT RESISTANCE : 20 MILLIOHMS MAX
INSULATION RESISTANCE : 5000 MEGAOHMS MIN
DIELECTRIC STRENGTH : 1000 VAC MIN
DURABILITY : 100 CYCLES
RETENTION FORCE : 700g MIN

FINISH
CONTACT PLATING SEE ORDER INFORMATION

CONTACTS	2X21
2X2	2X22
2X3	2X23
2X4	2X24
2X5	2X25
2X6	2X26
2X7	2X27
2X8	2X28
2X9	2X29
2X10	2X30
2X11	2X31
2X12	2X32
2X13	2X33
2X14	2X34
2X15	2X35
2X16	2X36
2X17	2X37
2X18	2X38
2X19	2X39
2X20	2X40

APPD. 核准 DWG. 製圖 HELEN DATE 制表日 2011/11/2		RoHS Compliant		HSM 玄茂科技股份有限公司 HSUAN MAO TECHNOLOGY CO., LTD.	
SCALE 比例 參考 UNIT 單位 MM PAGE 張數 1 OF 1		TOLERANCE .0=±0.38 .00=±0.25 ANG=±5°		PART NAME 品名 1.27X1.27mm DUAL ROW DUAL DUAL INSULATOR PIN HEADER H:2.5mm 2XXXP STRAIGHT TYPE (C=2.85mm D=2.0mm) ROHS	
SIZE 紙張尺寸 A4		REV. 版次 A		PART NO. 料號 C1272-XXBSXXX0R	

1 2 3 4 5 6 7 8