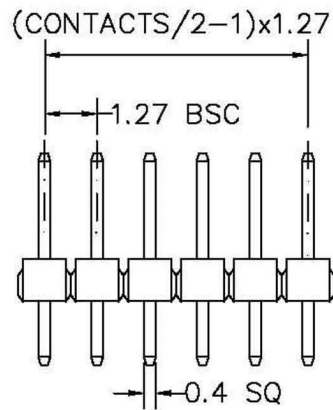
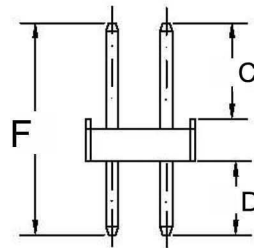


RECOMMENDED P.C.B LAYOUT

CONTACTS	2X21
2X2	2X22
2X3	2X23
2X4	2X24
2X5	2X25
2X6	2X26
2X7	2X27
2X8	2X28
2X9	2X29
2X10	2X30
2X11	2X31
2X12	2X32
2X13	2X33
2X14	2X34
2X15	2X35
2X16	2X36
2X17	2X37
2X18	2X38
2X19	2X39
2X20	2X40



C=3.8mm, D=2.7mm, F=7.6mm



MATERIAL
 HOUSING : THERMOPLASTIC UL94V-0
 CONTACT : COPPER ALLOYS

SPECIFICATION
 CURRENT: 1A
 OPERATING TEMPERATURE: -55°C TO +105°C
 CONTACT RESISTANCE : 20 MILLIOHMS MAX
 INSULATION RESISTANCE : 5000 MEGAOHMS MIN
 DIELECTRIC STRENGTH : 1000 VAC MIN
 DURABILITY : 100 CYCLES
 RETENTION FORCE : 700g MIN

RoHS Compliant	HSM 玄茂科技股份有限公司 HSUAN MAO TECHNOLOGY CO., LTD.	
APPD. 核准 Elaine	SCALE 比例 参考	TOLERANCE 容許公差 0 ±0.38 .00 ±0.25 ANG. ±5°
DWG. 製圖 Yumi	UNIT 單位 M M	SIZE 紙張尺寸 A 4
DATE 制表日 2012/04/05	PAGE 張數 1 OF 1	REV. 版次 A
PART NAME 品名 1.27 X 1.27mm PIN HEADER SINGLE INSULATOR DUAL ROW 2X??P STRAIGHT TYPE H=1.0mm GOLD FLASH (C=3.8mm D=2.7mm T/L=7.6mm) ROHS		PART NO. 料號 C1281-XXBSGBA0R