

1 2 3 4 5 6 7 8

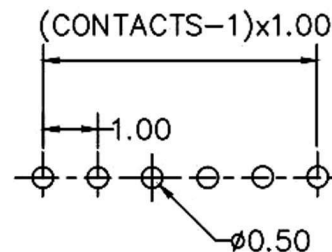
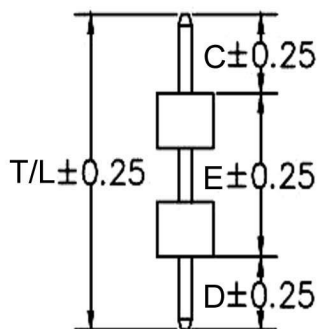
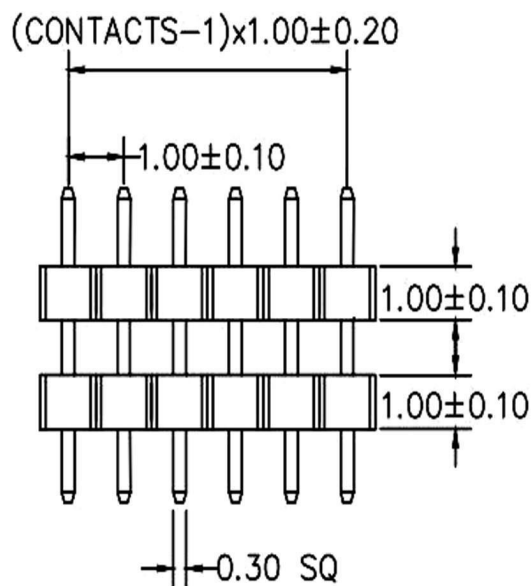
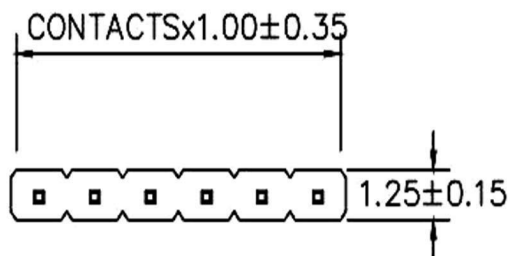
A  
B  
C  
D  
E  
F  
G  
H

A  
B  
C  
D  
E  
F  
G  
H

**MATERIAL**  
 HOUSING : NYLON 6T,UL94V-0  
 CONTACT : COPPER ALLOYS  
 PLATED : GOLD-FLASH  
 COLOR : BLACK

**SPECIFICATION**  
 CURRENT : 1A  
 OPERATING TEMPERATURE : -55°C TO +105°C  
 CONTACT RESISTANCE : 20 MILLIOHMS MAX  
 INSULATION RESISTANCE : 1000 MEGAOHMS MIN  
 WITHSTANDING VOLTAGE : 500V AC MIN

CONTACTS	1X26
1X2	1X27
1X3	1X28
1X4	1X29
1X5	1X30
1X6	1X31
1X7	1X32
1X8	1X33
1X9	1X34
1X10	1X35
1X11	1X36
1X12	1X37
1X13	1X38
1X14	1X39
1X15	1X40
1X16	1X41
1X17	1X42
1X18	1X43
1X19	1X44
1X20	1X45
1X21	1X46
1X22	1X47
1X23	1X48
1X24	1X49
1X25	1X50



RECOMMENDED P.C.B LAYOUT

C: 1.60 mm D: 1.60 mm  
 E: 4.00 mm T/L: 7.20 mm

RoHS Compliant	<b>HSM</b> 玄茂科技股份有限公司 HSUAN MAO TECHNOLOGY CO., LTD.	
APPD. 核准	SCALE 比例 参考	TOLERANCE .0±0.38 .00±0.25 ANG=±5°
DWG. 製圖	UNIT 單位	SIZE. 紙張尺寸
DATE 制表日	PAGE 張數	REV. 版次
2015/11/16	1 OF 1	A
PART NAME 品名 1.0mm Pin Header Single Row Dual Insulators 1XXXP H=1.0mm Straight Type C=1.6mm D=1.6mm D=4.0mm T/L=7.2mm Gold Flash Plating Nylon 6T UL94V-0 ROHS		PART NO. 料號
		C1812-XXESGBA0R

1 2 3 4 5 6 7 8