

FEATURES

Double tuning fork type contact guarantees high reliability.
2.54MM pitch Low-Profile mini type Match to 0.64mm sq. posts.

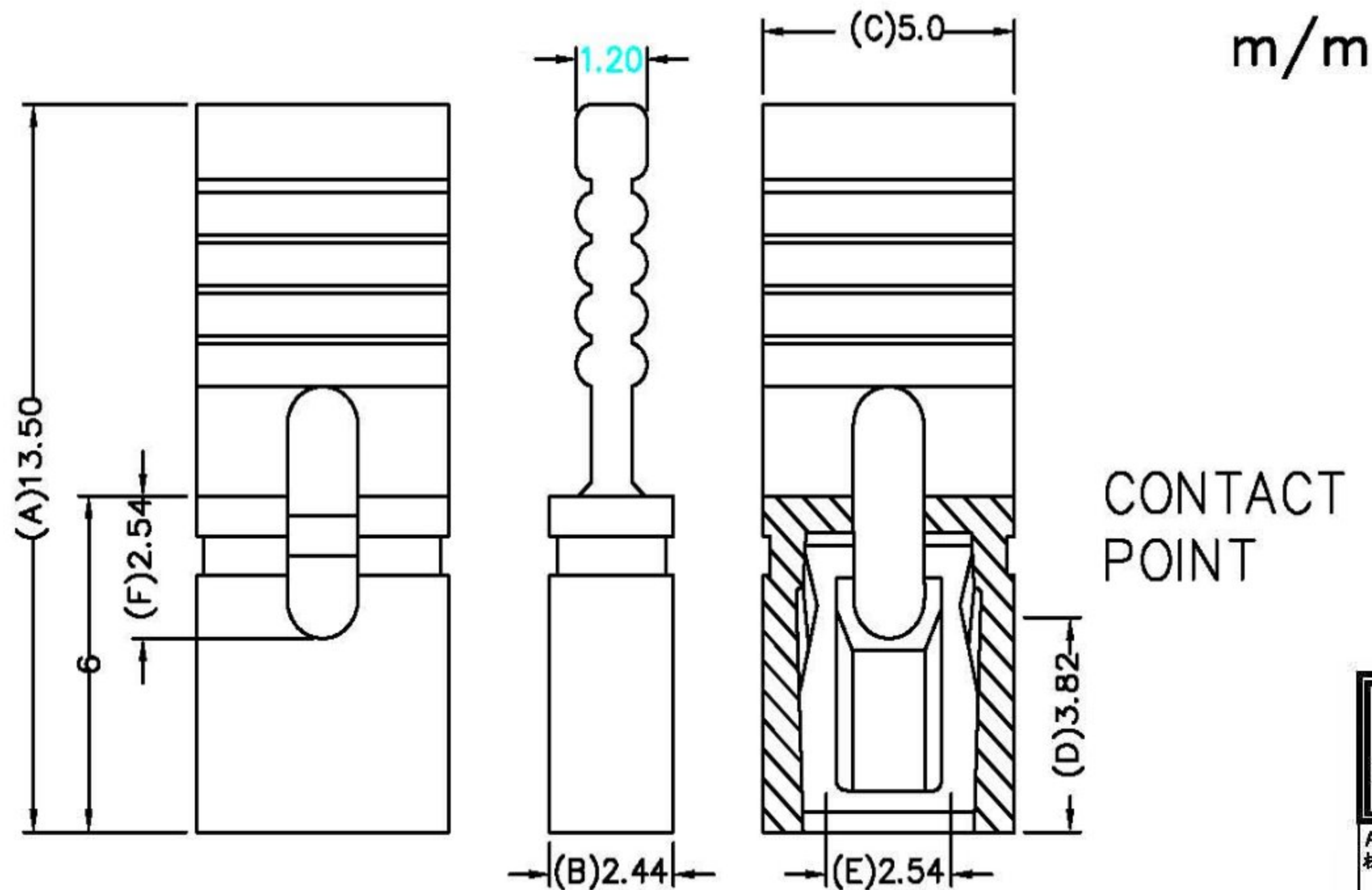
*Znsulator Tolerance:±0.20
Coostacts Tolerance:±0.05

MATERIAL

.Insulator.....21SPC NY66 (94V-2)
.Contact.....Gold Plated
.Terminal..... C-2680

SPECIFICATIONS

.Current Rating:3 amperes MAX
.Concact Resistance: 30m ΩMAX
.Insuiation Resistance: 1000 megohms MAX
.Dielectric Withstanding Voltage: AC 650 volts RMS at sea leve



RoHS Compliant		HSM 玄茂科技股份有限公司 HSUAN MAO TECHNOLOGY CO., LTD.	
APPD. 核准	SCALE 比例 参考	TOLERANCE 容許公差 .0 ± .00 ± ANG. ±	PART NAME 品名 2.54mm MINI JUMPER 2P H:13.5mm WITH HANDLE OPEN COVER GOLD PLATING ROHS
DWG. 製圖 HELEN	UNIT 單位 MM	SIZE 紙張尺寸 A4	PART NO. 料號 C2700-02DAGX00R
DATE 制表日 2011/8/25	PAGE 張數 1 OF 1	REV. 版次 A	