

SPECIFICATIONS

Material

Insulator : PBT, glass reinforced, rated UL 94V-0

Contact : Brass

Electrical

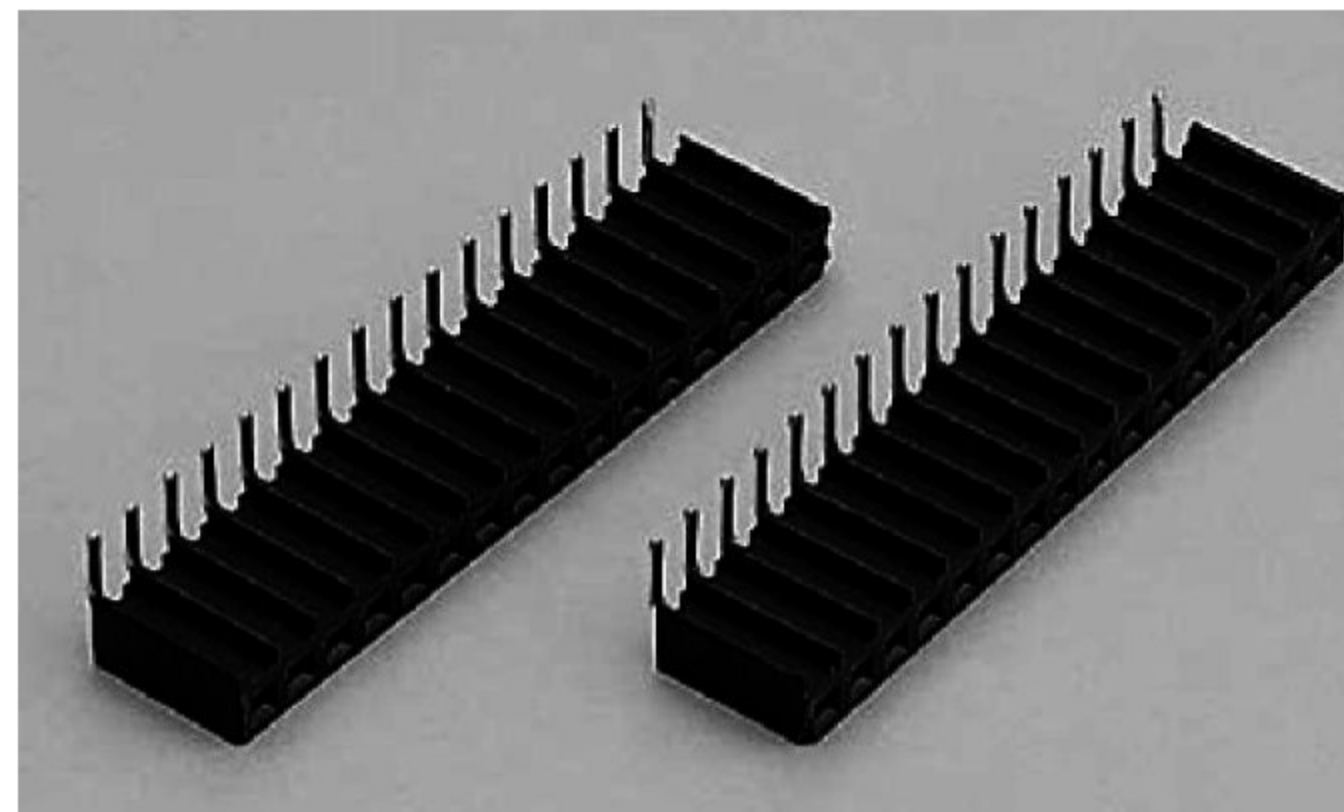
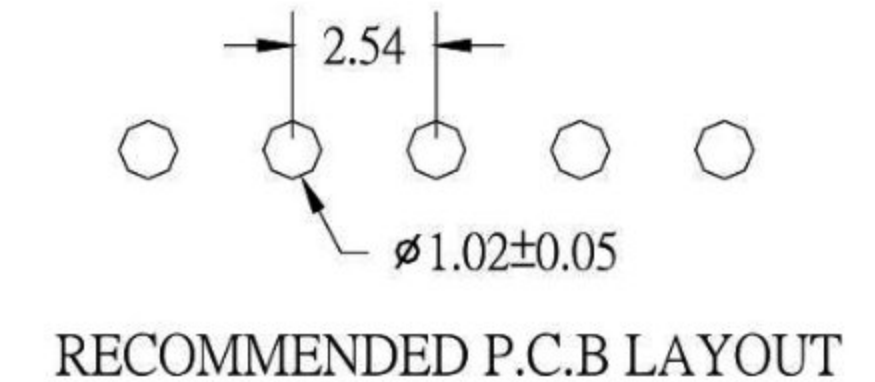
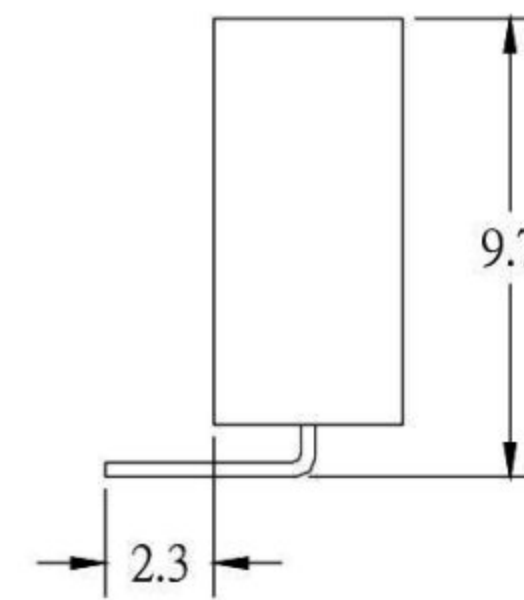
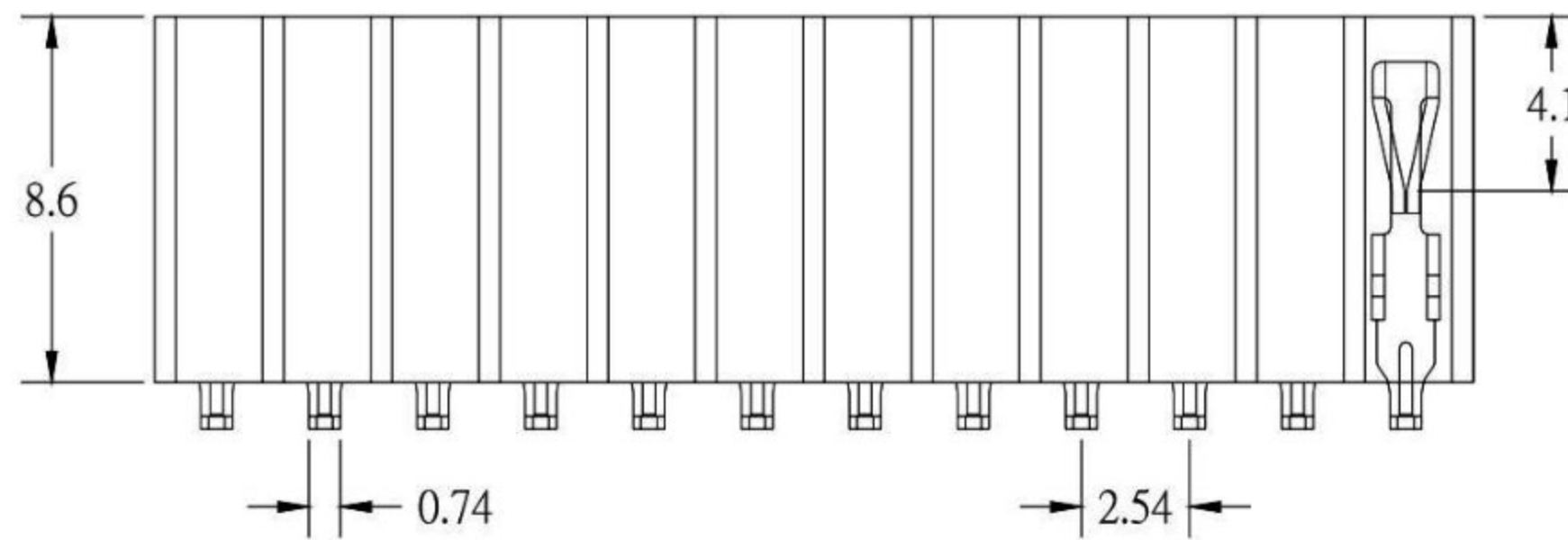
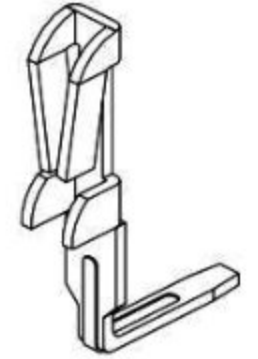
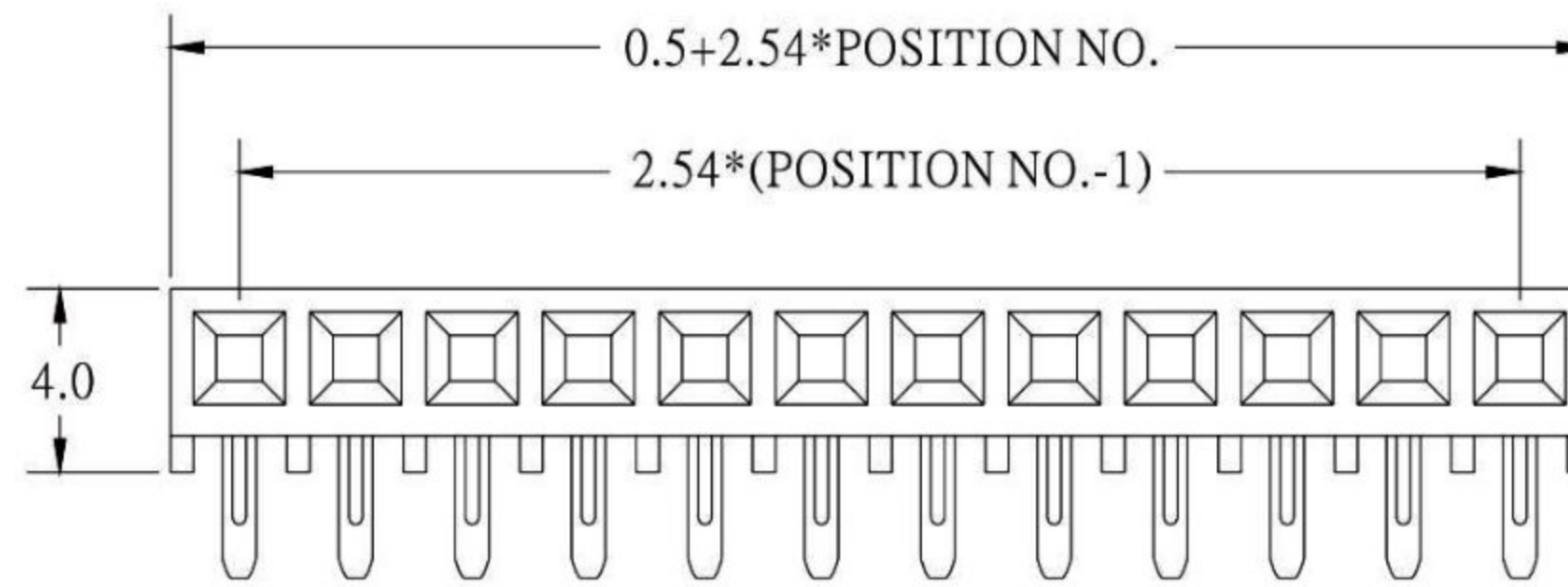
Current Rating : 1 Amp

Contact Resistance : 30 mΩ max.

Insulation Resistance : 3000 MΩ min.

Dielectric Withstanding Voltage : 500V AC for 1minute

Operating Temperature : -40°C to +105°C



RoHS Compliant		HSM 玄茂科技股份有限公司 HSUAN MAO TECHNOLOGY CO., LTD.	
APPD. 核准	SCALE 比例 参考	TOLERANCE 容許公差 .0 ± 0.25 .00 ± ANG. ±	PART NAME 品名 2.54mm WAVY FEMALE HEADER SINGLE ROW H:8.6mm 1X??P RIGHT ANGLE TYPE GOLD PLATING ROHS
DWG. 製圖 HELEN	UNIT 單位 MM	SIZE 紙張尺寸 A4	PART NO. 料號 C2810-XXARGH00R
DATE 制表日 2011/10/17	PAGE 張數 1 OF 1	REV. 版本 A	