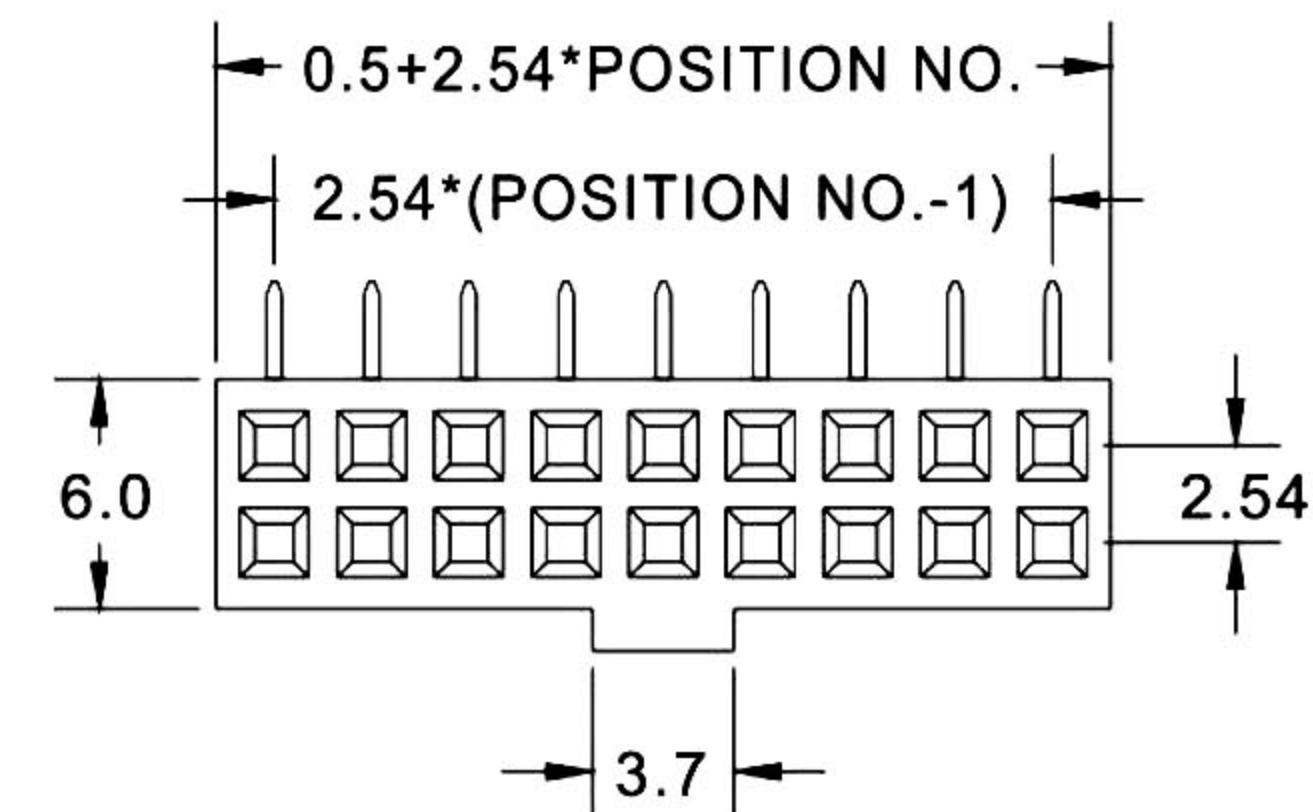
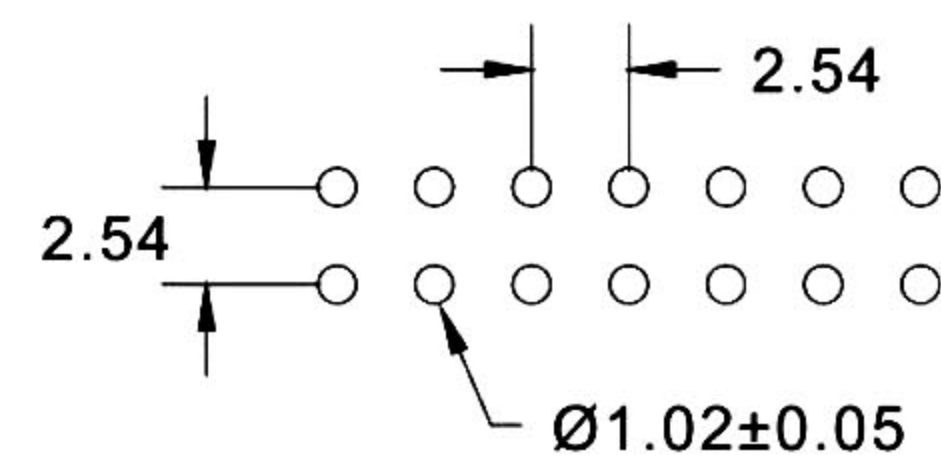
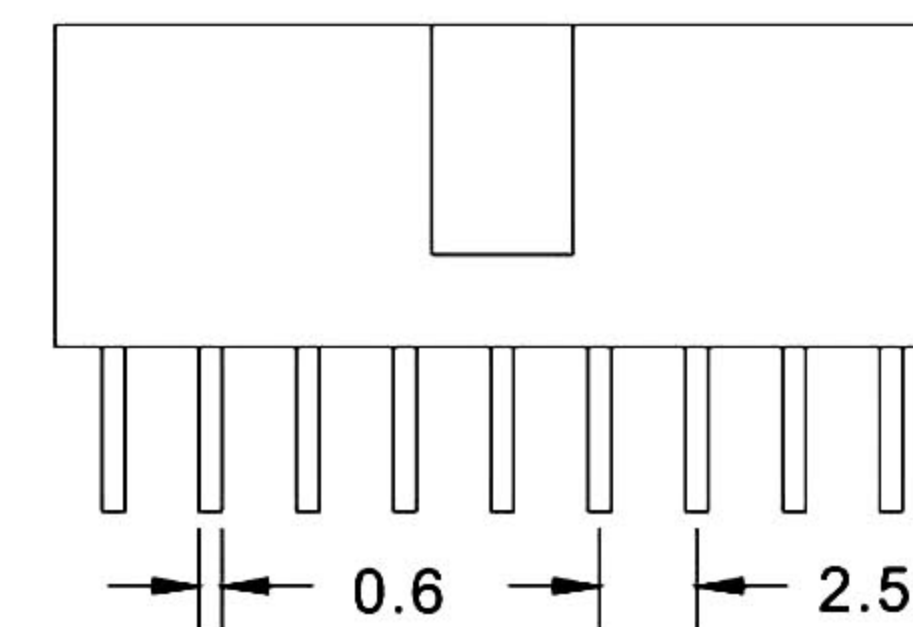
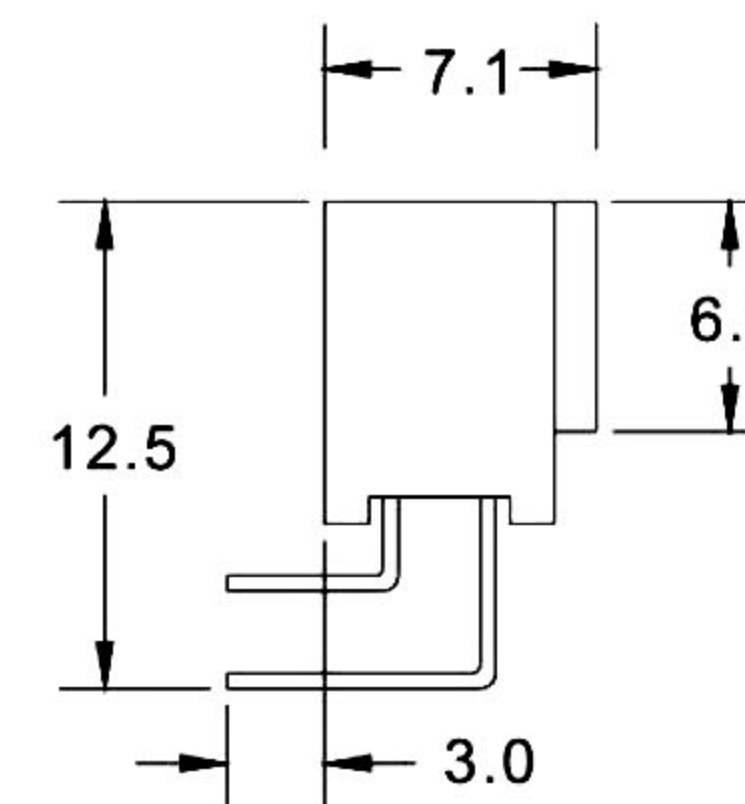
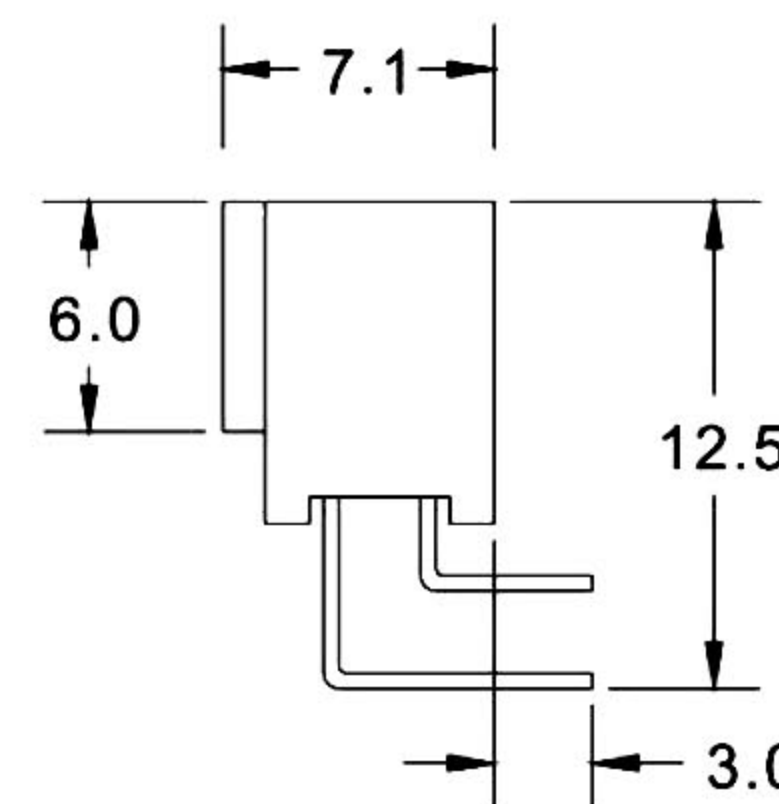
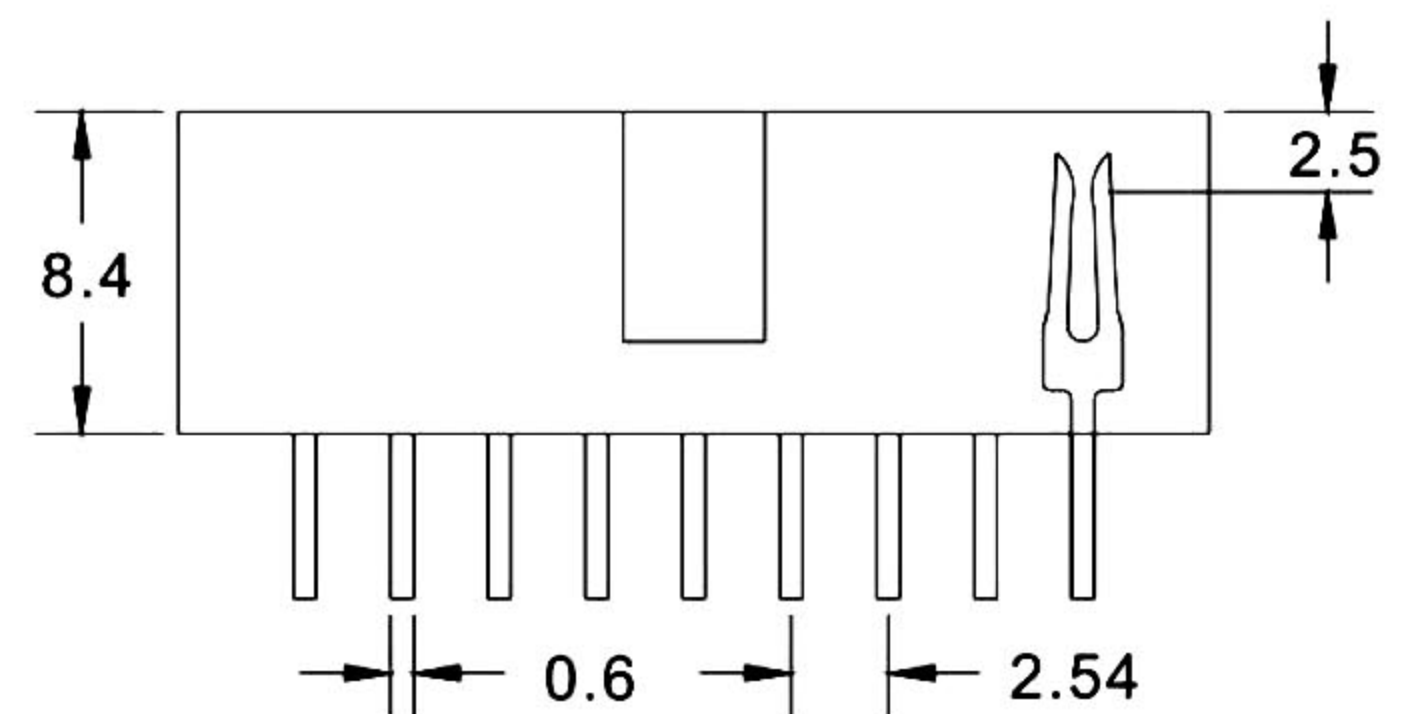


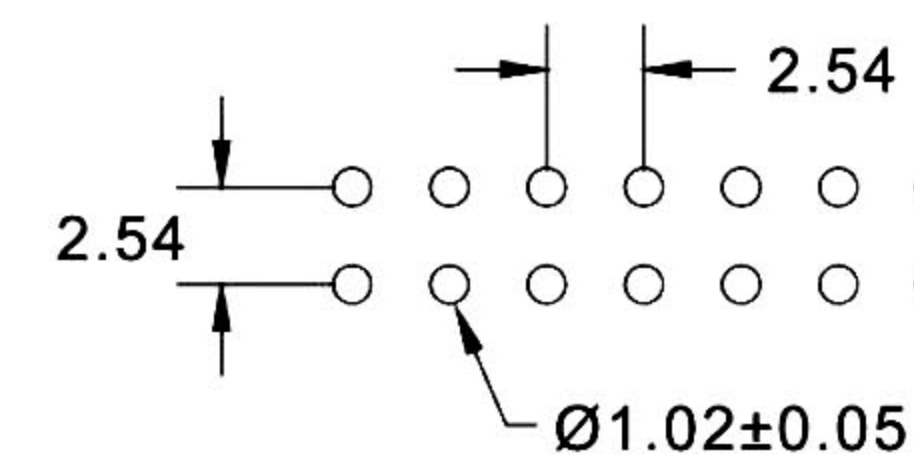
C2817-XXBRGH00R
(TYPE A)



C2817-XXBRGH01R
(TYPE B)



RECOMMENDED P.C.B LAYOUT



RECOMMENDED P.C.B LAYOUT

SPECIFICATIONS

Material

Insulator : PBT, glass reinforced, rated UL 94V-0

Contact : Brass

Electrical

Current Rating : 1 Amp

Contact Resistance : 30 mΩ max.

Insulation Resistance : 3000 MΩ min.

Dielectric Withstanding Voltage : 500V AC for 1minute

Operating Temperature : -40°C to +105°C

<p>RoHS Compliant</p>		<p>HSM 玄茂科技股份有限公司 HSUAN MAO TECHNOLOGY CO., LTD.</p>	
<p>APPD. 核准 HELEN</p>		<p>TOLERANCE 容許公差 .0 ± .00 ± ANG ±</p>	<p>PART NAME 品名 2.54mm FEMALE HEADER DUAL ROW H:8.5mm WITH BUMP 2XXXP RIGHT ANGLE TYPE PIN LENGTH=3.2mm GOLD FLASH PLATING ROHS</p>
<p>DWG. 製圖 ABBY</p>	<p>SCALE 比例 參考</p>	<p>UNIT 單位 MM</p>	<p>PART NO. 料號 C2817-XXBRGH0XR</p>
<p>DATE 制表日 2014/07/15</p>	<p>PAGE 張數 1 OF 1</p>	<p>REV. 版次 A</p>	