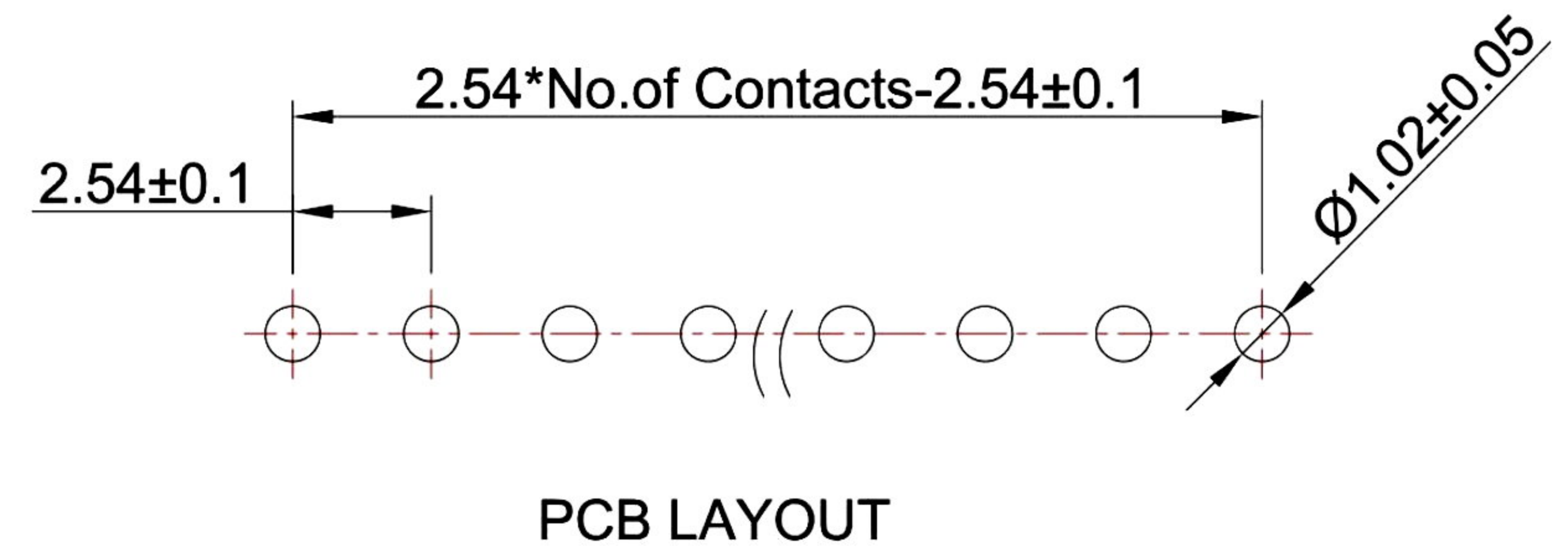
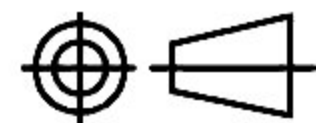


- Note:
1. Current Rating : 3 A
  2. Contact Resistance : 20mΩ Max.
  3. Insulator Resistance : 1000MΩ Min.
  4. Withstanding Voltage : 500V AC for 1 Min
  5. Operating Range : -40°C~+85°C



No.	Part Name	Specifications	Qt'y
2	Contact	Phosphor Bronze	xx
1	Insulator	High Temp. Thermoplastic, PA9T, Black	1

RoHS Compliant		<b>HSM 玄茂科技股份有限公司</b> <b>HSUAN MAO TECHNOLOGY CO., LTD.</b>	
APPD. 核准 HELEN		TOLERANCE 容許公差 .X±0.30 .XX±0.20 .XXX±0.10 X°±5°	PART NAME 品名 2.54MM FEMALE HEADER SINGLE ROW H:8.5MM(W:3.0MM) 1XXPIN STRAIGHT TYPE THREE CONTACT TERMINAL MATERIAL:NYLON 9T(PA9T) DIP LENGTH:3.5MM TUBE PACKING ROHS
DWG. 製圖 ABBY	SCALE 比例 參考	UNIT 單位 MM	SIZE. 紙張尺寸 A 4
DATE 制表日 2024/03/01	PAGE 張數 1 OF 1	REV. 版次 A	PART NO. 料號 C2819-XXASXHBATR