

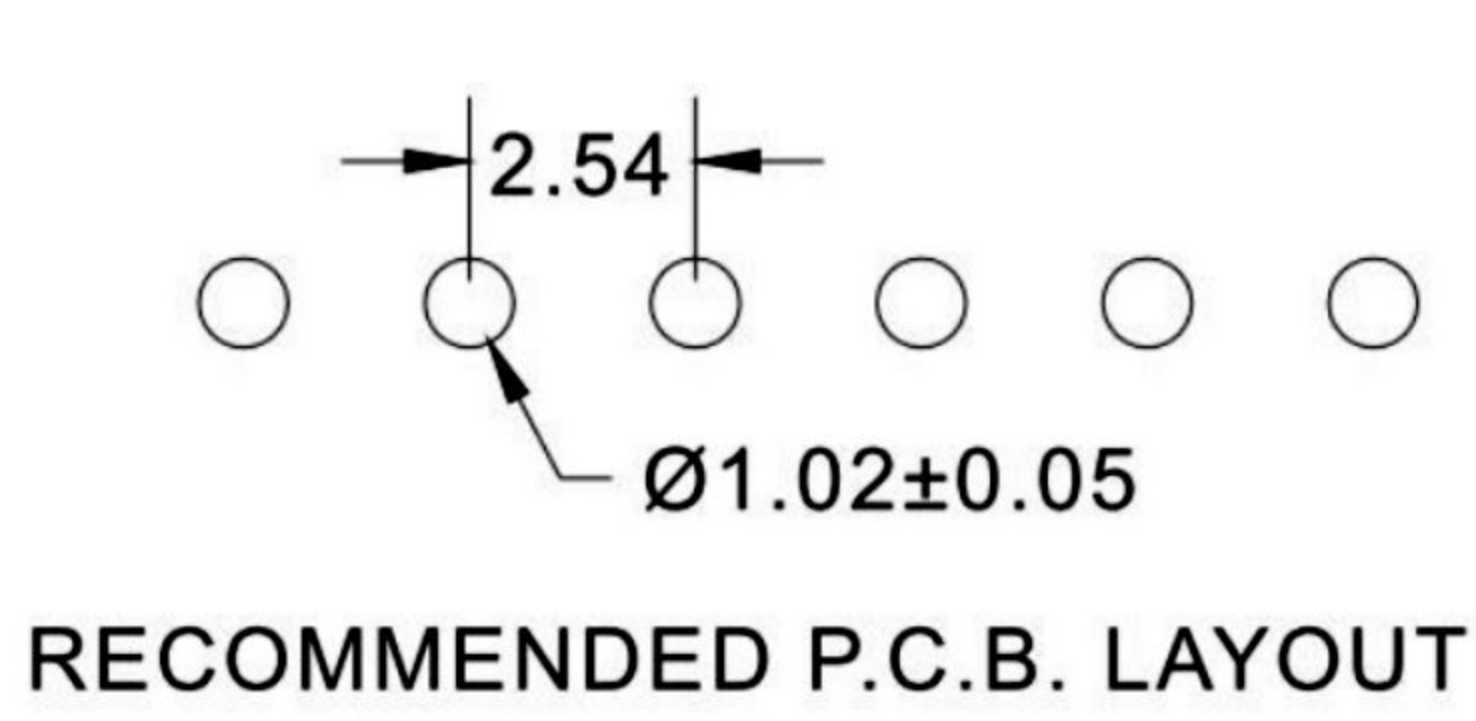
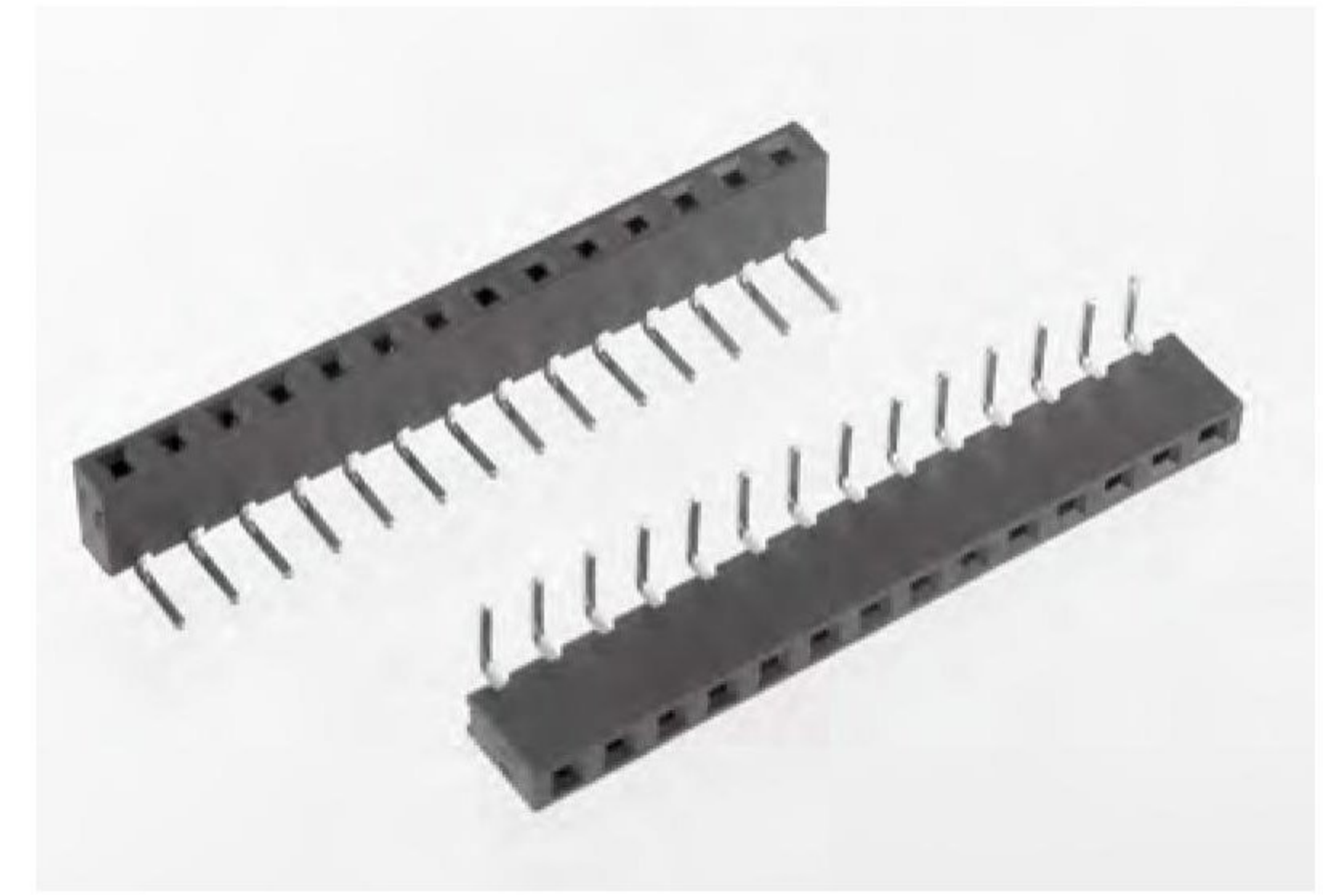
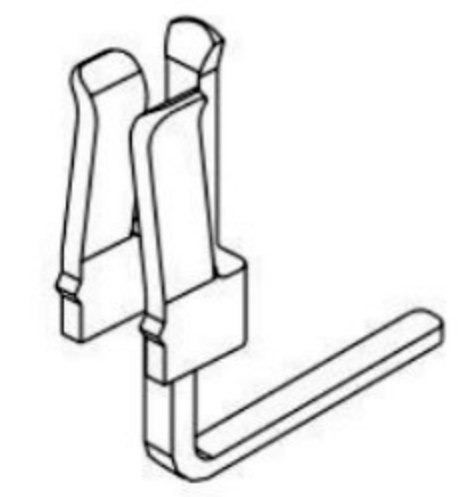
SPECIFICATIONS

Material

Insulator : PBT, glass reinforced, rated UL 94V-0
 Contact : Phosphor Bronze

Electrical

Current Rating : 1 Amp
 Contact Resistance : 30 mΩ max.
 Insulation Resistance : 3000 MΩ min.
 Dielectric Withstanding Voltage : 500V AC for 1minute
 Operating Temperature : -40°C to +105°C



RoHS Compliant		HSM 玄茂科技股份有限公司 HSUAN MAO TECHNOLOGY CO., LTD.	
APPD. 核准 HELEN	SCALE 比例 參考	TOLERANCE 容許公差 .0 ± .00 ± .000 ±	PART NAME 品名 2.54mm FEMALE HEADER SINGLE ROW H:5.0mm 1XXXP RIGHT ANGLE TYPE ROHS
DWG. 製圖 ABBY		UNIT 單位 MM	
DATE 制表日 2015/09/23	PAGE 張數 1 OF 1	REV. 版次 B	PART NO. 料號 C2823-XXARXH00R