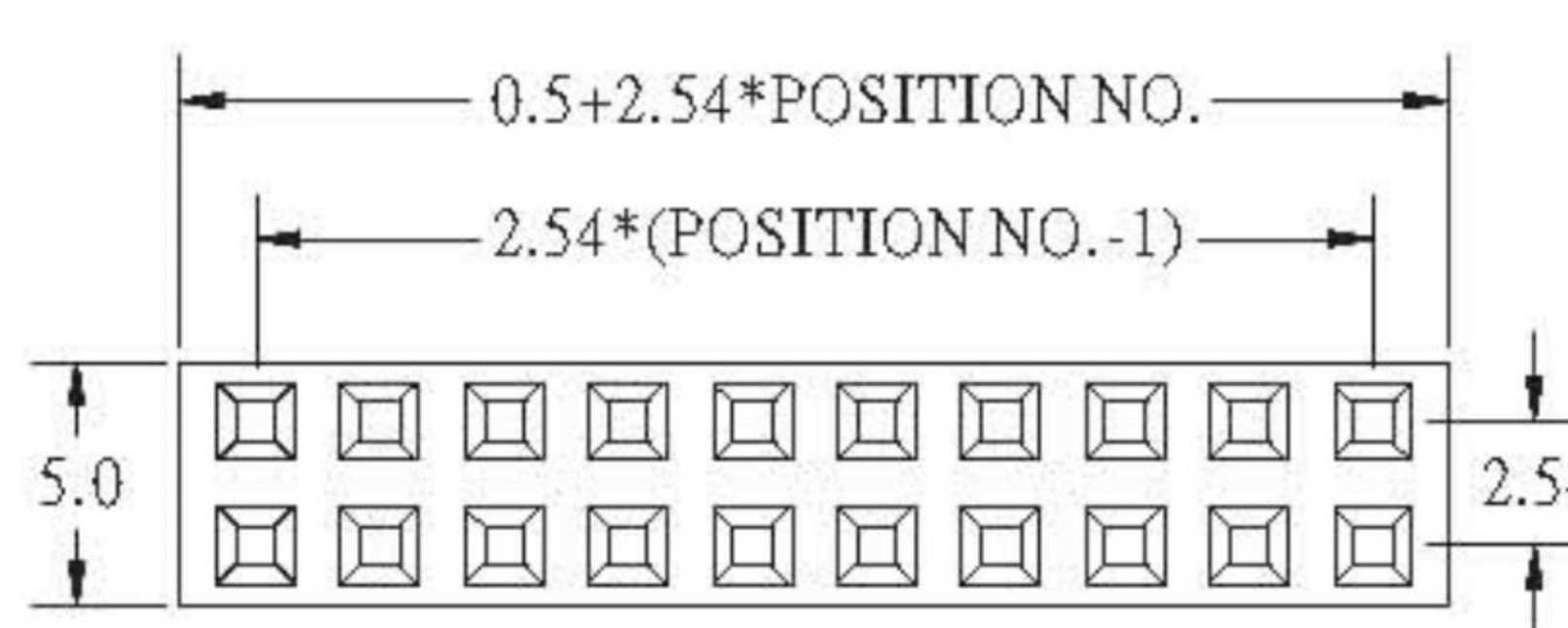
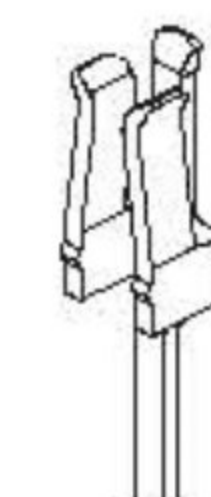
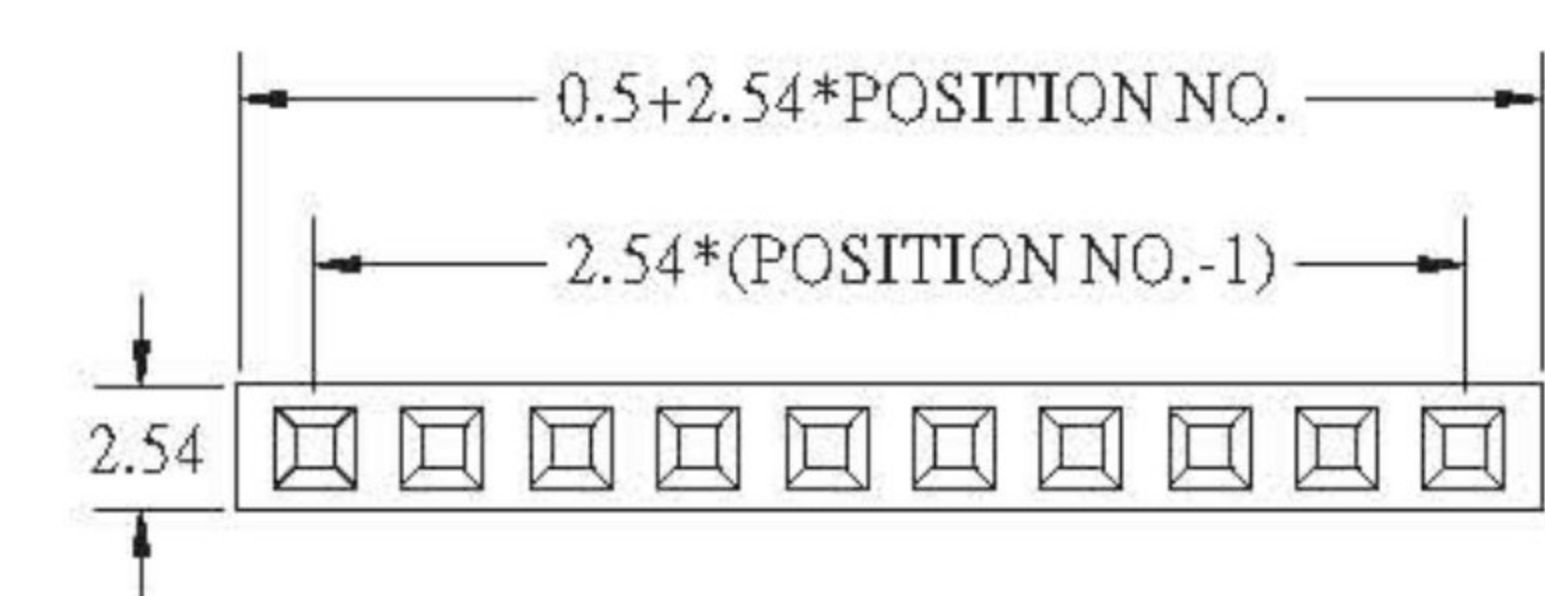
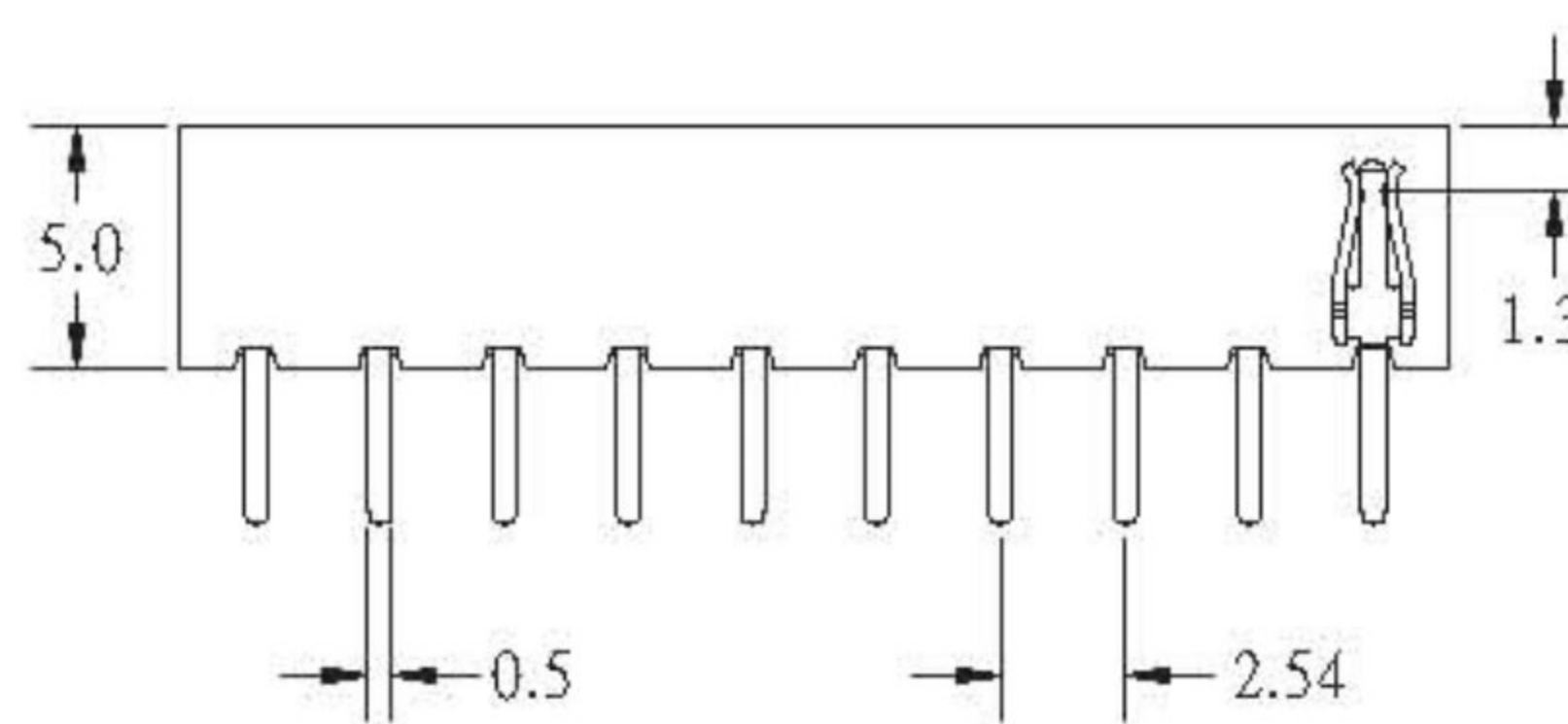
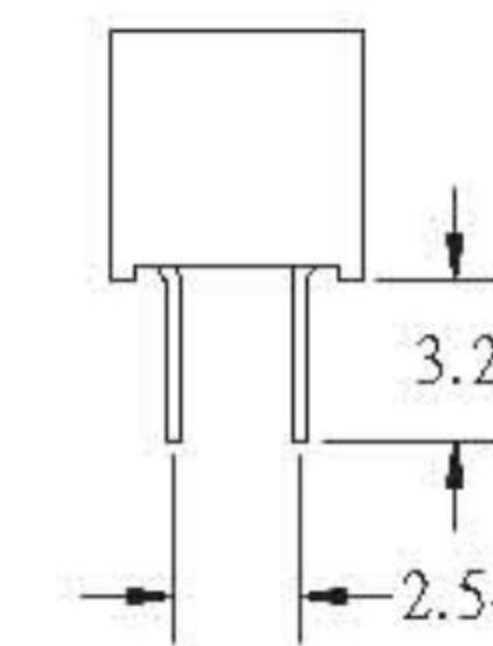
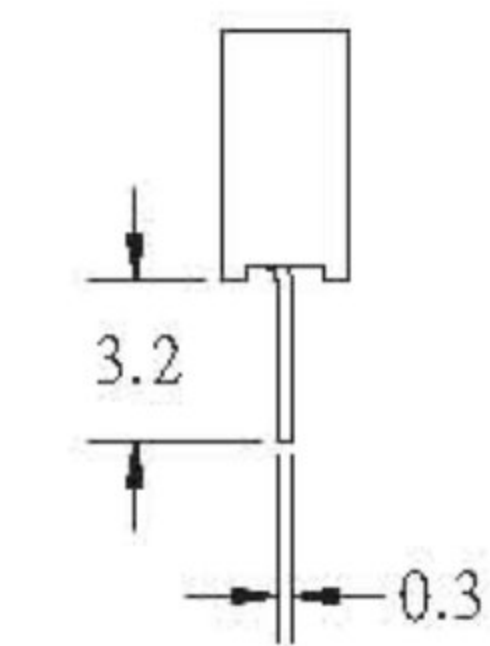
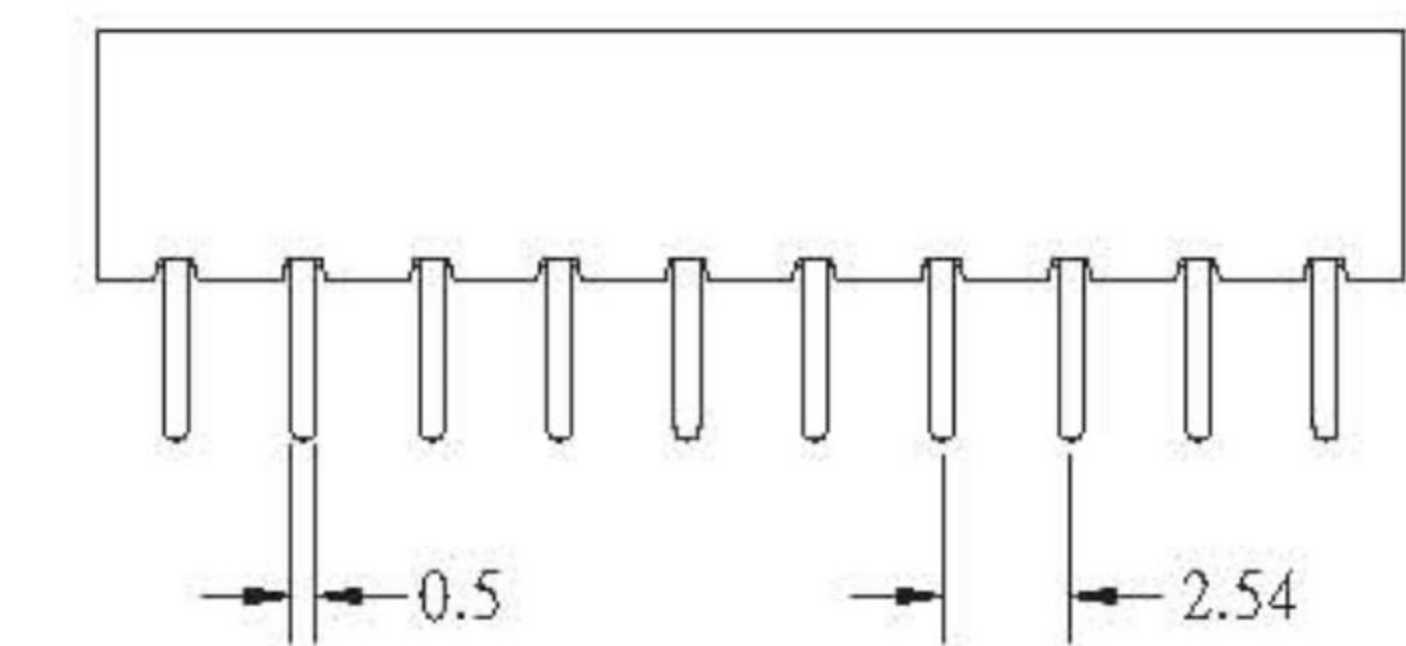
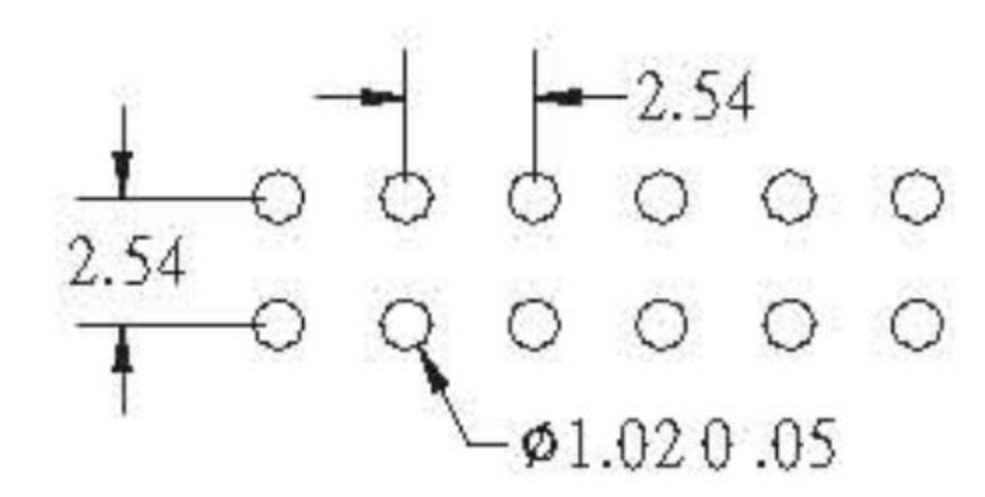
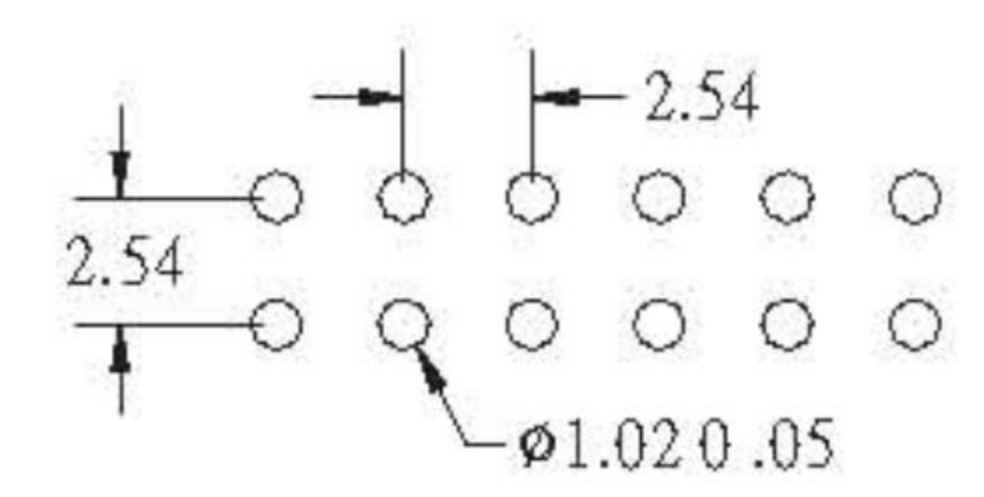
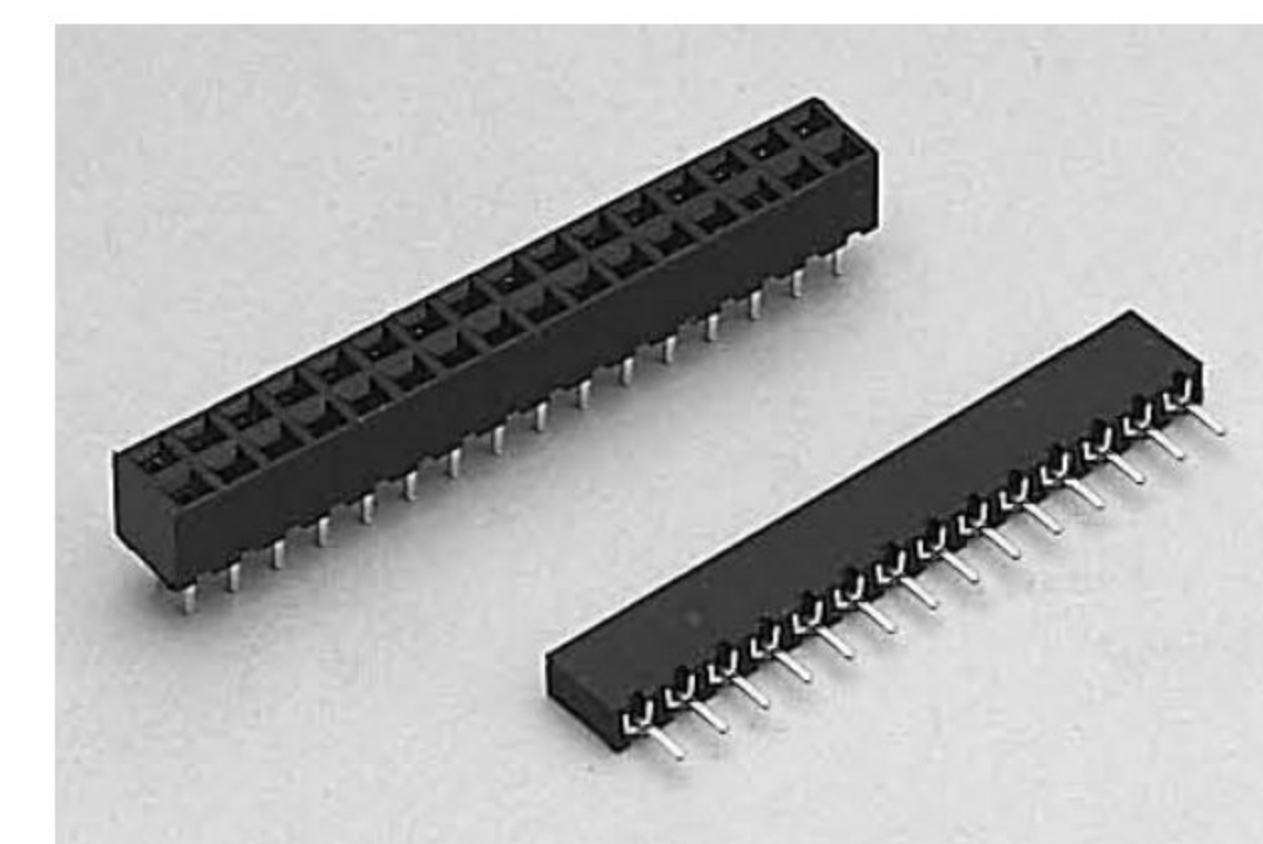


	1	2	3	4	5	6	7	8		
A										
B	C2823-XXBSXH00R				C2823-XXASXH00R					
C										
D										
E										
F	 <p style="text-align: center;">RECOMMENDED P.C.B. LAYOUT</p>				 <p style="text-align: center;">RECOMMENDED P.C.B. LAYOUT</p>					
G	<p>SPECIFICATIONS</p> <p>Material</p> <p>Insulator : PBT, glass reinforced, rated UL 94V-0</p> <p>Contact : Phosphor Bronze</p> <p>Electrical</p> <p>Current Rating : 1 Amp</p> <p>Contact Resistance : 30 mΩ max.</p> <p>Insulation Resistance : 3000 MΩ min.</p> <p>Dielectric Withstanding Voltage : 500V AC for 1minute</p> <p>Operating Temperature : -40°C to +105°C</p>						<p>RoHS Compliant</p> <p>HSM 玄茂科技股份有限公司</p> <p>HSUAN MAO TECHNOLOGY CO., LTD.</p>			
H	<p>APPD. 核准 HELEN</p> <p>DWG. 製圖 ABBY</p> <p>DATE 制表日 2011/11/23</p>				<p>SCALE 比例 參考</p> <p>UNIT 單位 MM</p> <p>PAGE 張數 1 OF 1</p>		<p>TOLERANCE 容許公差</p> <p>.0 ±</p> <p>.00 ±</p> <p>ANG. ±</p> <p>SIZE. 紙張尺寸 A 4</p> <p>REV. 版次 A</p>		<p>PART NAME 品名</p> <p>2.54mm FEMALE HEADER H:5.0mm</p> <p>1XXXP STRAIGHT TYPE ROHS</p> <p>PART NO. 料號 C2823-XXXSXH00R</p>	
	1	2	3	4	5	6	7	8		