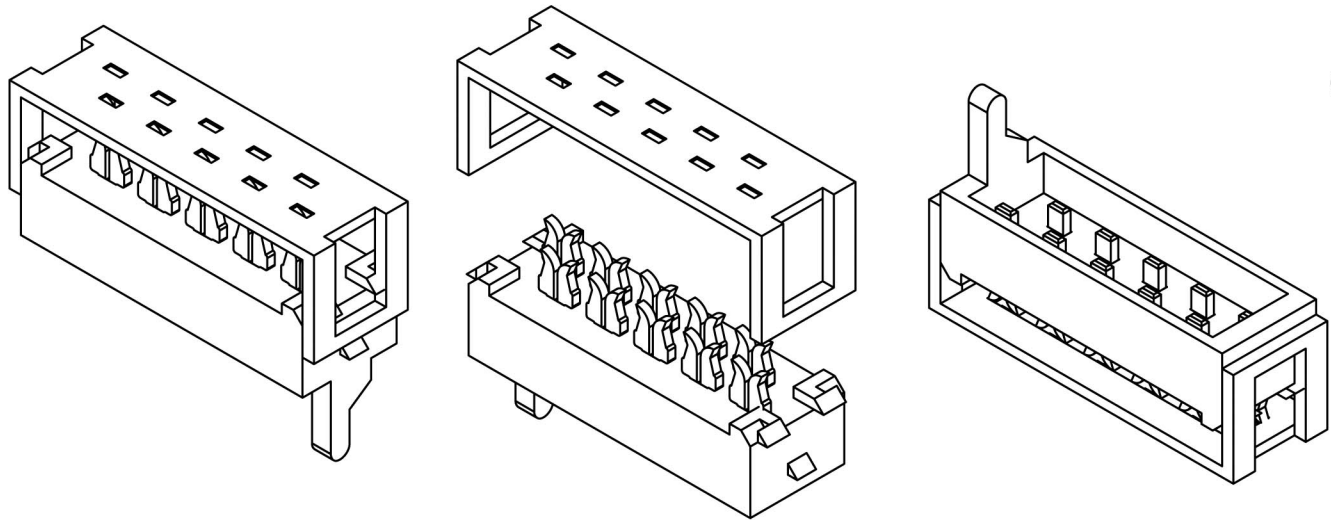


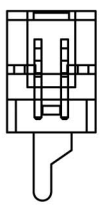
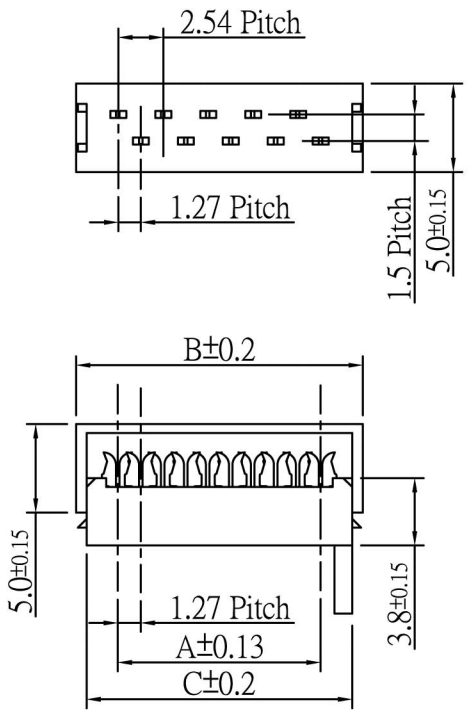
1 2 3 4 5 6 7 8

A  
B  
C  
D  
E  
F  
G  
H

A  
B  
C  
D  
E  
F  
G  
H



Contact:  
Contact: Phosphor Bronze.  
Insulator: PBT.  
Finish: Tin flash plated over nickel.



Circuits	Dimension		
	A	B	C
4	3.81	8.58	7.18
6	6.35	11.12	9.72
8	8.89	13.66	12.26
10	11.43	16.20	14.80
12	13.97	18.74	17.34
14	16.51	21.28	19.88
16	19.05	23.82	22.42
18	21.59	26.36	24.96
20	24.13	28.90	27.50

<b>RoHS Compliant</b>		<b>HSM 玄茂科技股份有限公司</b>	
		<b>HSUAN MAO TECHNOLOGY CO., LTD.</b>	
APPD. 核准		TOLERANCE 容許公差	PART NAME 品名
DWG. 製圖	Hedy	SCALE 比例 參考	2.54mm MINI-MATCH CONNECTOR
DATE 制表日	2012/01/30	UNIT 單位 MM	180° XXP MALE ON WIRE TYPE
		PAGE 張數 1 / 1	TIN PLATING RED INSULATOR ROHS LOW-LEAD
		REV. 版次 A	PART NO. 料號 C3127-XXPXR000R

1 2 3 4 5 6 7 8