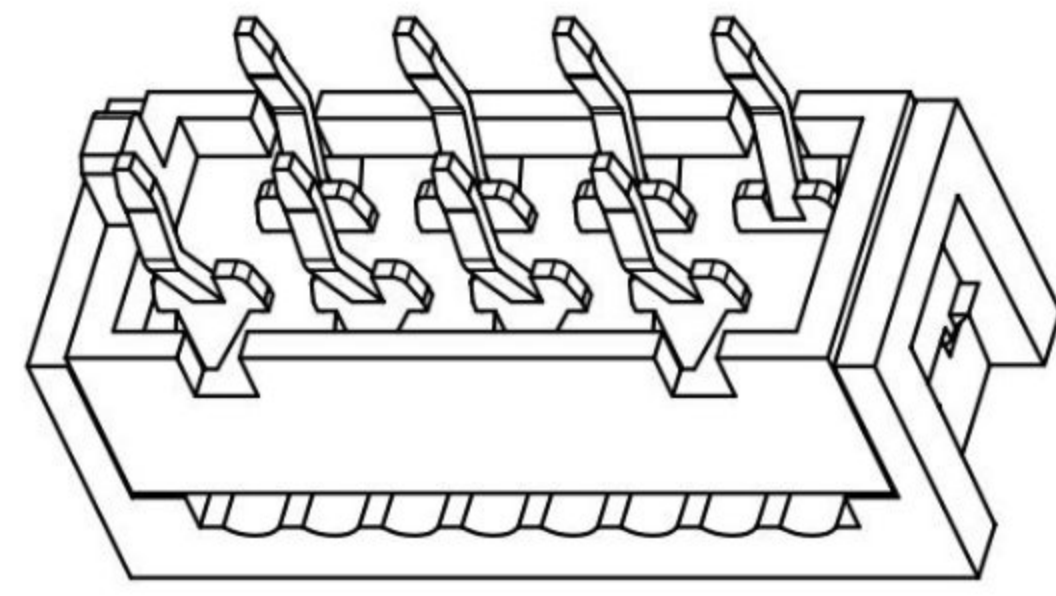
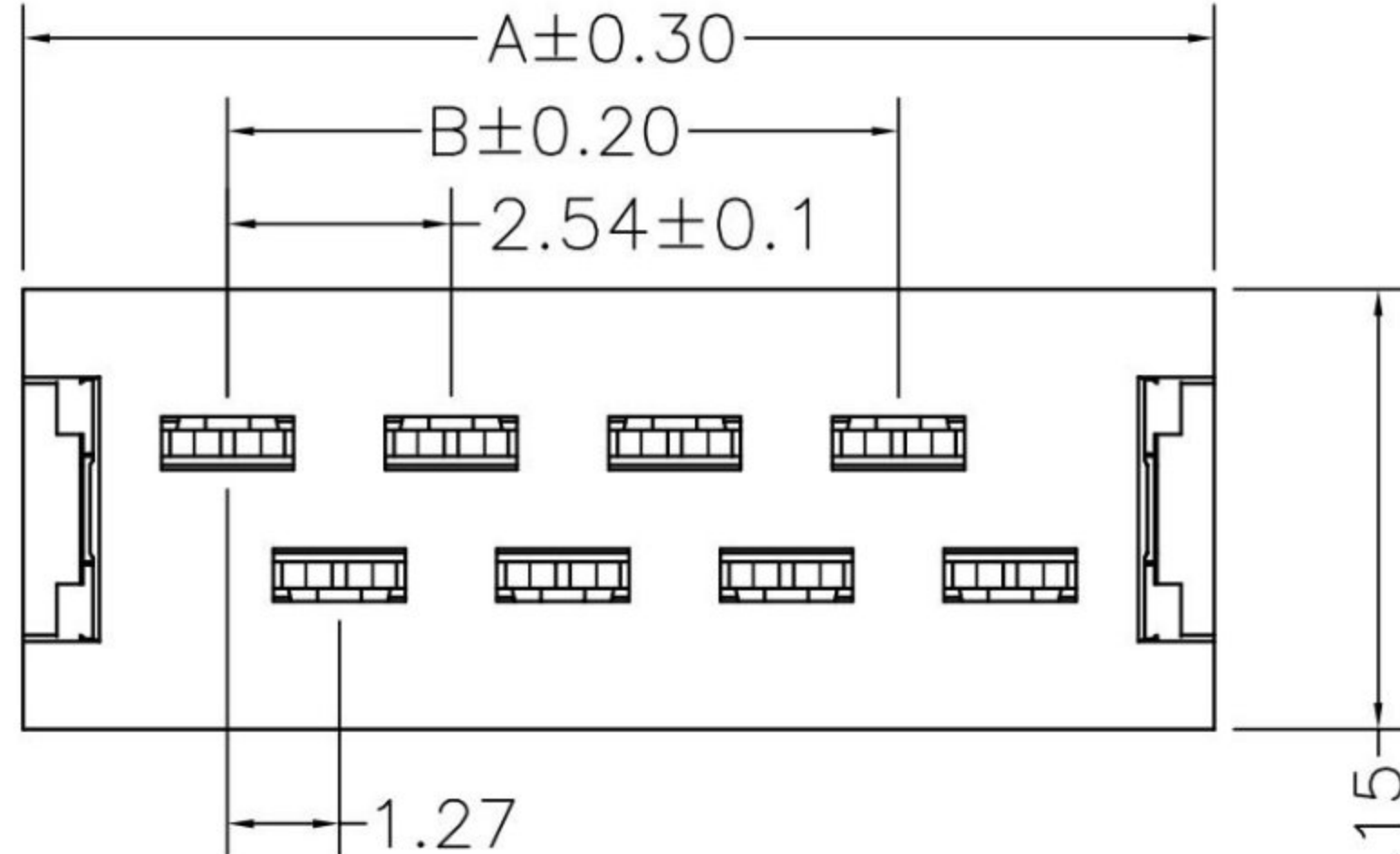


1 2 3 4 5 6 7 8

A



MATERIAL&FINISH
 Insulator: PBT Glass Fiber(UL94V-0)
 Contact : Brass
 Contact : Sn Over Ni.

B

C

D

E

F

G

H

A

B

C

D

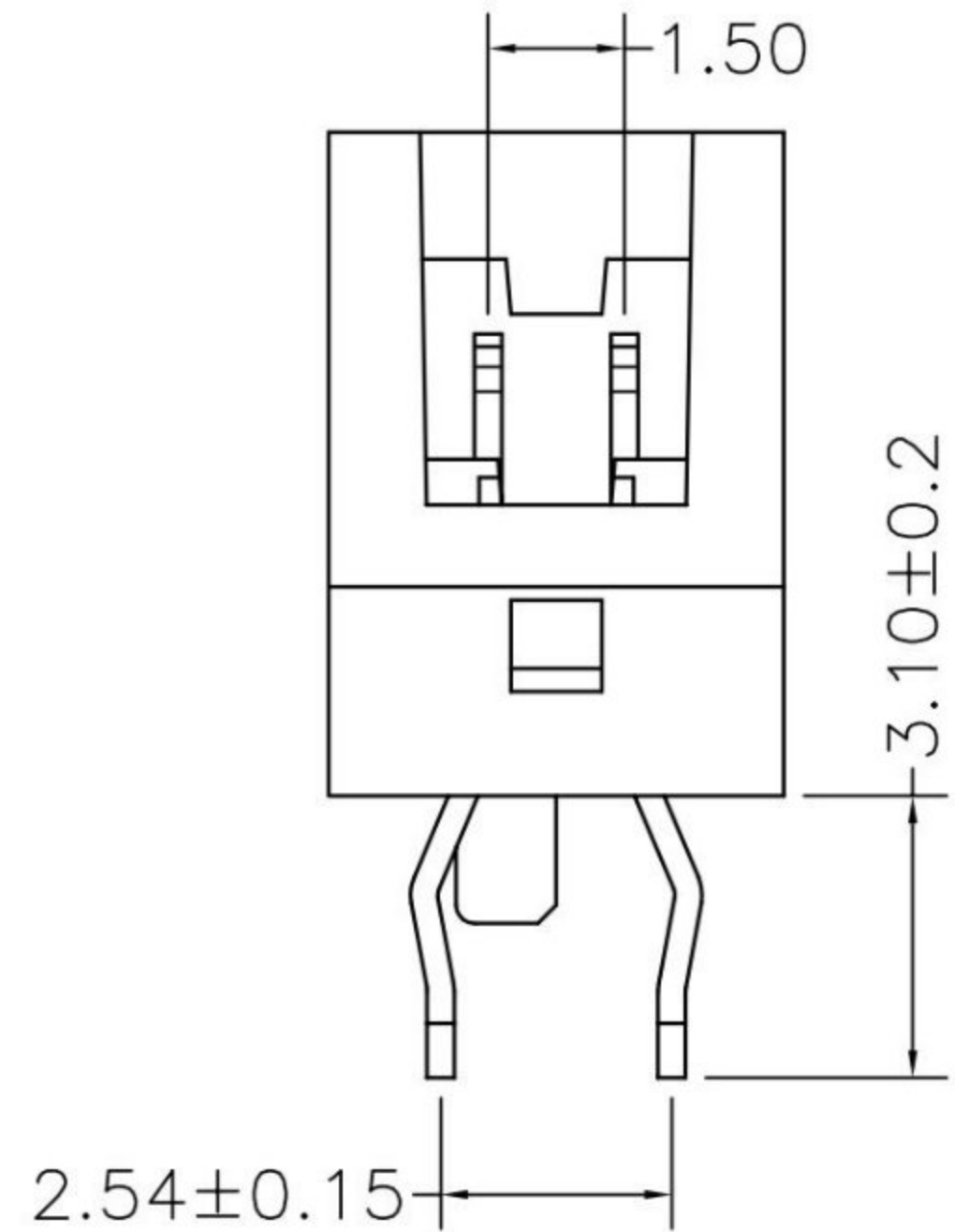
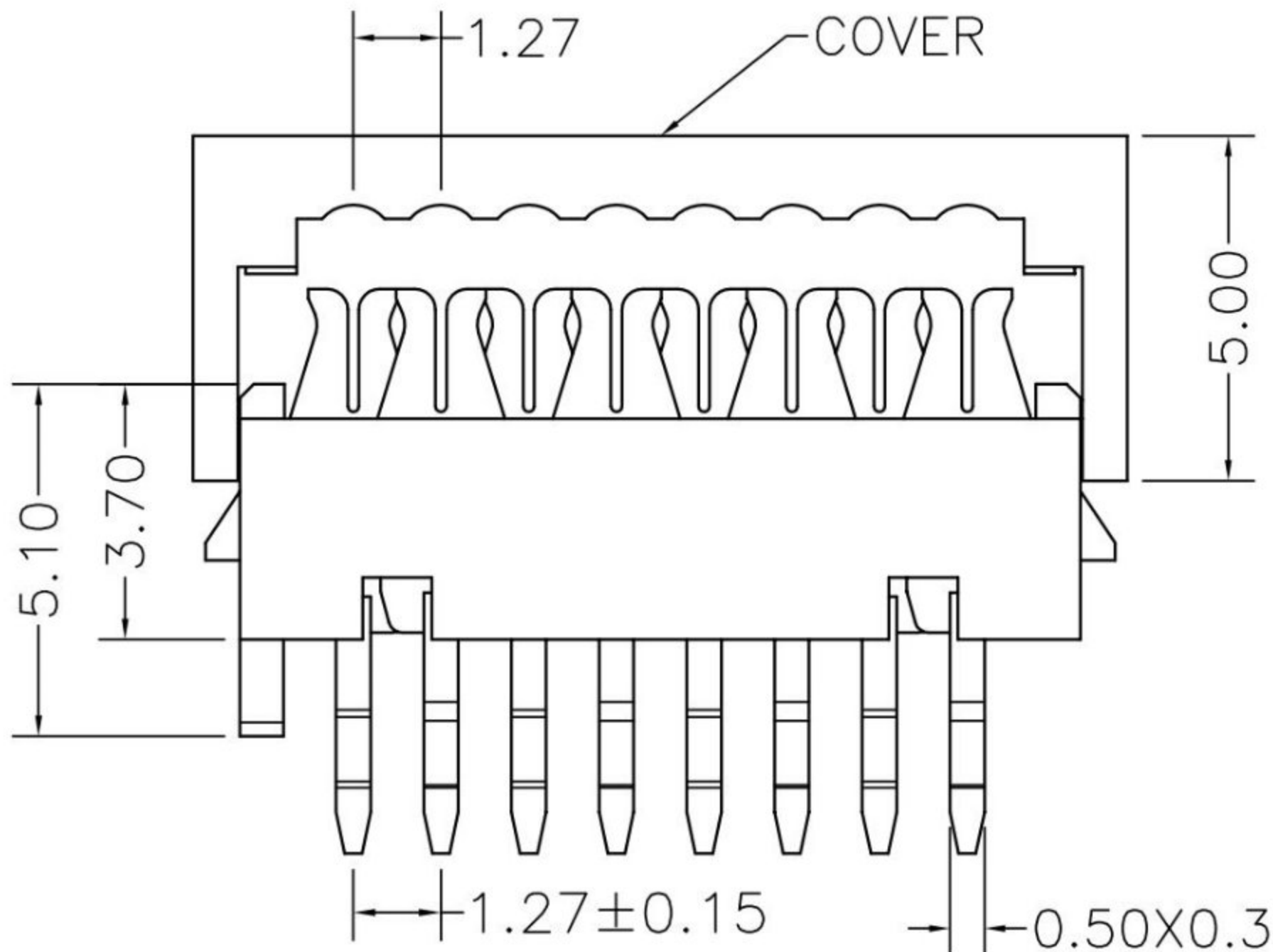
E

F

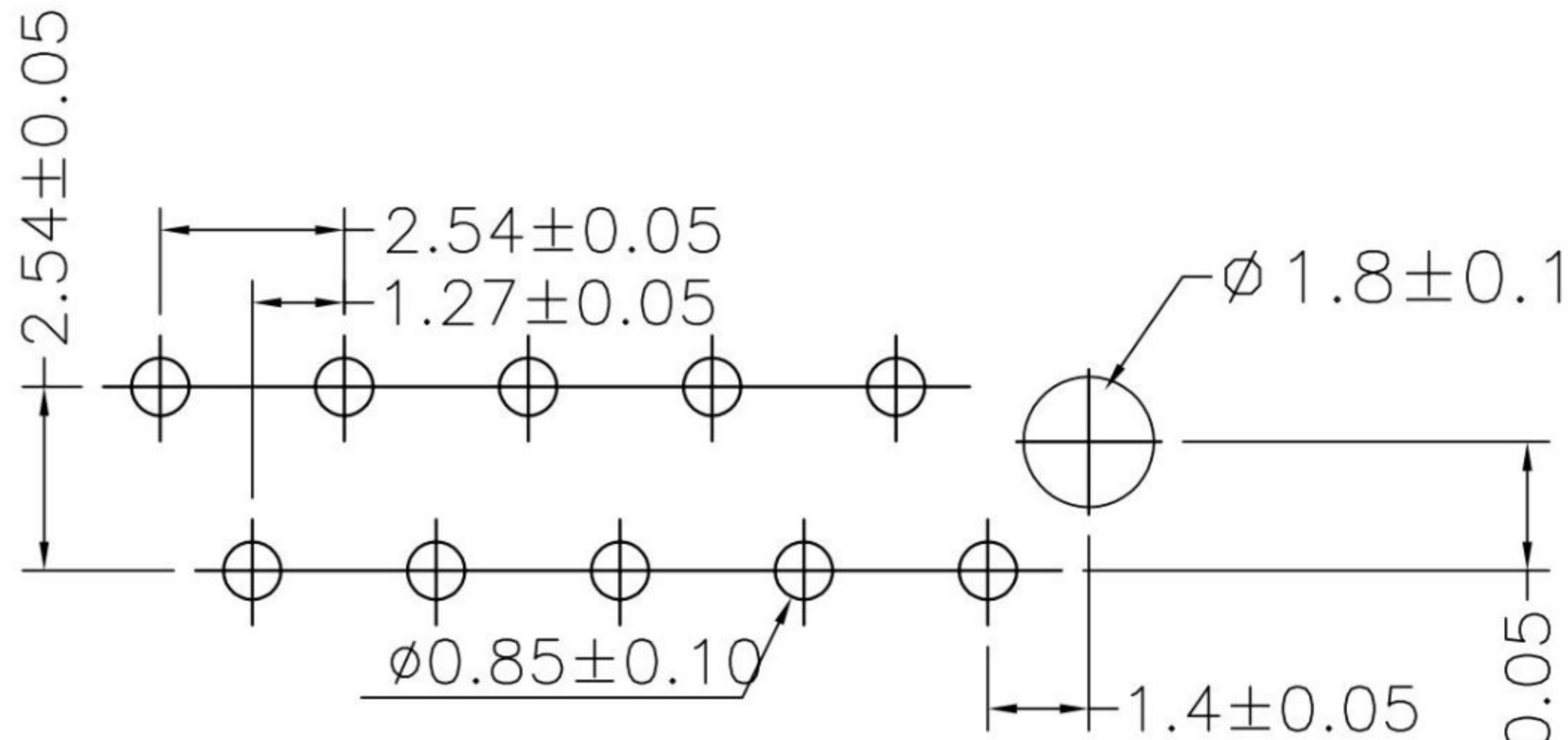
G

H

ELECTRICAL CHARACTERISTICS:
 Current Rating: 1 Amp
 Contact Resistance: 20MΩ Max
 Withstanding Voltage: 500V AC/Min
 Insulation Resistance: 1000MΩ Min
 Temperature Range: -40° C To+105° C



POLES	DIM.A	DIM.B	Q'ty/Tube
04	8.45	2.54	68
06	10.99	5.08	52
08	13.53	7.62	42
10	16.07	10.16	36
12	18.61	12.7	31
14	21.15	15.24	27
16	23.69	17.78	24
18	26.23	20.32	22
20	28.77	22.86	20
22	31.31	25.40	18
24	33.85	27.94	17
26	36.39	30.48	16



Recommended P.C. Board Layout

RoHS
Compliant

HSM 玄茂科技股份有限公司
HSUAN MAO TECHNOLOGY CO., LTD.

APPD. 核准 HELEN
 DWG. 製圖 ABBY
 DATE 制表日 2014/08/19

SCALE 比例 參考
 UNIT 單位 MM
 PAGE 張數 1 OF 1
 TOLERANCE 容許公差
 X ±0.30
 .X ±0.20
 .XX ±0.15
 X. ±3.0°
 .X ±2.0°
 SIZE. 紙張尺寸 A4
 REV. 版次 A

PART NAME 品名
 2.54mm MINI SIZE CONNECTOR
 PADDLE BOARD TYPE XXP
 MATERIAL : BRASS TIN PLATING
 RED INSULATOR ROHS
 PART NO. 料號
 C3132-XXBTR000R

1 2 3 4 5 6 7 8