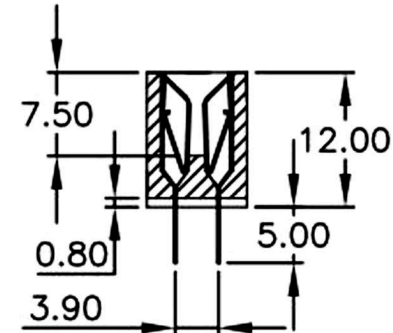
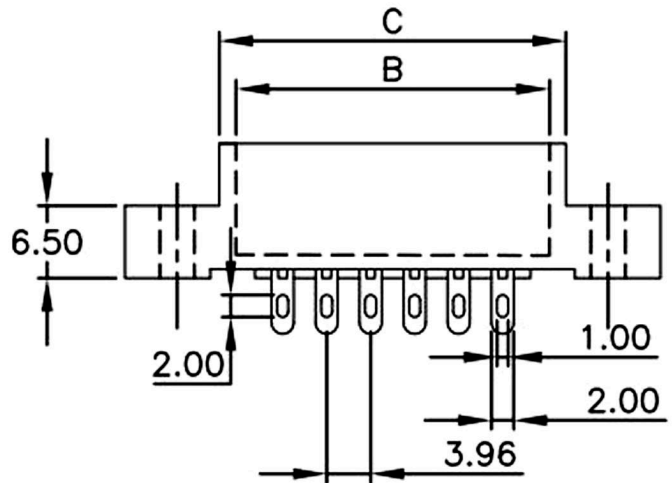
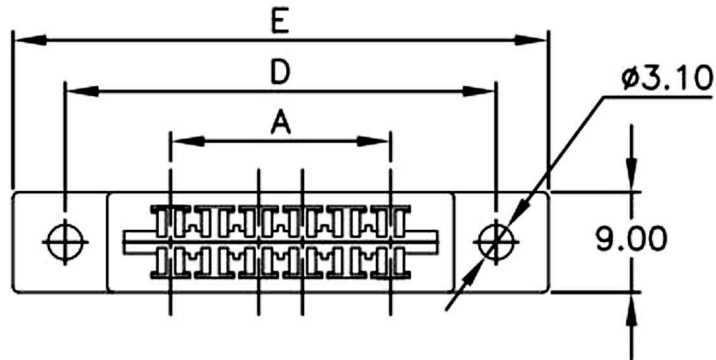


× Housing Material :  
 UL94V-0 Glass fiber PBT  
 Polyphenylene sulfide  
 × Contact Material :  
 BRASS (C2680)  
 × Current Rating :  
 3 Amp(1600VAC)  
 × Contact Resistance :  
 Less than 10 milliohms  
 × Insulation Resistance :  
 Over 100G(Ohms)500VDC/1 min  
 × Operation Temperature :  
 -55°C ~ +120°C  
 × Operation Relative Humidity :  
 5 to 95% R.H.



PART NO:	12S/D	20S/D	24S/D	30S/D	36S/D	44S/D	48S/D	56S/D	60S/D	72S/D
PNS	6X2	10X2	12X2	15X2	18X2	22X2	24X2	28X2	30X2	36X2
A	19.8	35.64	43.56	55.44	67.32	83.16	91.08	106.92	114.84	138.6
B	28.2	44	52	63.8	75.7	91.6	99.52	115.3	123.2	147
C	31.2	47.2	55	66.8	78.8	94.5	102.42	118.3	126.2	150
D	38.8	54.6	62.7	74.5	86.2	102.3	110.22	126	133.9	157.8
E	48.2	64	72	83.8	95.5	111.6	119.52	135.3	143.2	165.6

RoHS Compliant		<b>HSM</b> 玄茂科技股份有限公司 <b>HSUAN MAO TECHNOLOGY CO., LTD.</b>	
APPD. 核准 Betty	SCALE 比例 参考 UNIT 單位 M M PAGE 張數 1 OF 1	TOLERANCE 容許公差 .0 ± 0.30 .00 ± 0.20 ANG. ± 3° SIZE 紙張尺寸 A 4 REV. 版次 A	PART NAME 品名 3.96mm CARD EDGE SLOT DUAL ROWS XXP SOLDER TYPE PBT MATERIAL BRASS PLATING BLUE INSULATOR ROHS PART NO. 料號 C3230-XXAPQL00R
DATE 制表日 2016/08/18			