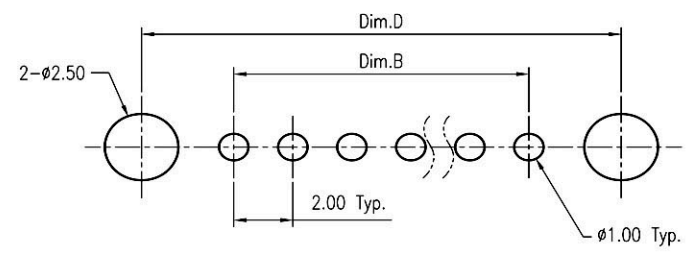
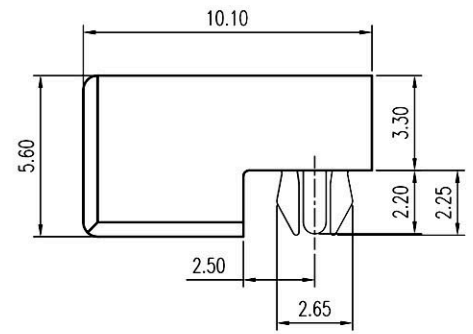
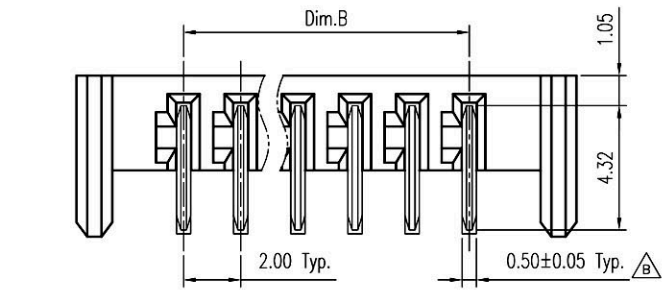


Dimension Information: \triangle_B

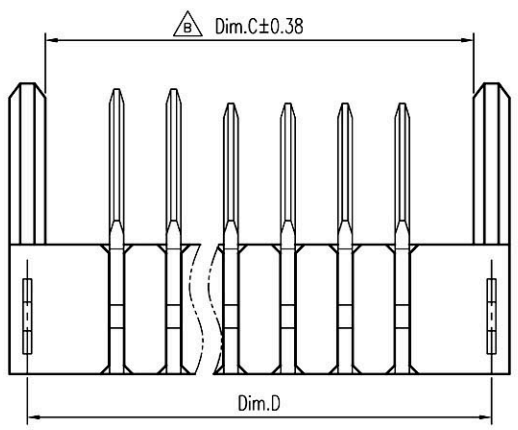
Amount of Pins	Dim.A	Dim.B	Dim.C	Dim.D
5	15.50	8.00	13.0	14.25
6	17.50	10.00	15.0	16.25
7	19.50	12.00	17.0	18.25
8	21.50	14.00	19.0	20.25
9	23.50	16.00	21.0	22.25
10	25.50	18.00	23.0	24.25
11	27.50	20.00	25.0	26.25
12	29.50	22.00	27.0	28.25

Notes:

- Material:
 - Housing: Thermoplastic UL 94V-0, Black
 - Terminal: Copper Alloy
 - \triangle_B Fork: Copper Alloy
- Finish:
 - Terminal: Selected Gold on Contact Area, G/F on Solder Tails, Both over 40u" Min. Nickel Under-plated Overall
 - \triangle_B Fork: G/F over 40u" Min. Nickel Under-plated Overall.



Recommended P.C.B. Layout
Layout Tolerance = $\pm 0.05\text{mm}$



RoHS Compliant		HSM 玄茂科技股份有限公司 HSUAN MAO TECHNOLOGY CO., LTD.	
APPD. 核准 Betty		TOLERANCE 容許公差 X ± 0.38 X° $\pm 10^\circ$ XX ± 0.25 X° $\pm 5^\circ$ XXX ± 0.13 XX° $\pm 2^\circ$	PART NAME 品名 2.0mm Battery Connector Male XXPin Right Angle Dip Type Contact Area:Gold 5U" Plating Dip Area: Gold Flash Plating Black Color Tube Packing ROHS
DWG. 製圖 Lena	SCALE 比例 參考	UNIT 單位 MM	PART NO. 料號 C3471-XXRA1BT00R
DATE 制表日 2020/8/25	PAGE 張數 1 OF 1	REV. 版本 A	