

Contract:

Contact: Brass.

Insulator: Nylon 6T.

Finish: Gold flash plated over nickel.

Specification:

Current Rating : 1A Max

Operating Temp : -40°C~+105°C

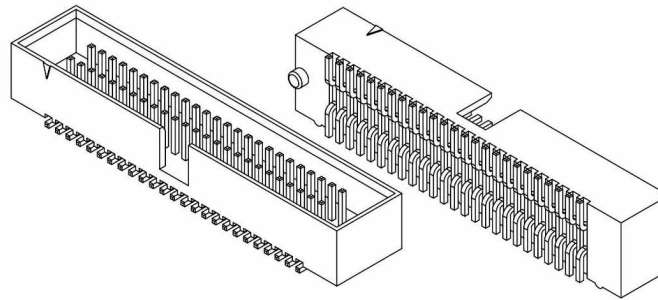
Insulation Resistance: 1000MΩ Min

Dielectric Withstanding Voltage :

500V AC For 1Min

Contact Resistance: 20mΩ Max

| Circuits | Dimension | |
|----------|-----------|-------|
| | A | B |
| 34 | 20.32 | 29.61 |
| 40 | 24.13 | 33.42 |
| 50 | 30.48 | 39.77 |
| 80 | 49.53 | 58.82 |



P.C. Board Layout

| | | | |
|---------------------|--|--|--|
| RoHS Compliant | | 玄茂科技股份有限公司 HSUAN MAO TECHNOLOGY CO., LTD. | |
| APPD. 核准 Betty | SCALE 比例 参考 UNIT 單位 M M PAGE 張數 1 OF 1 | TOLERANCE 容許公差 .0 ± 0.30 .00 ± 0.20 ANG. ± 3° | PART NAME 品名 BOX HEADER 1.27mm X 2.54mm H=5.8mm 2XXXP SMT TYPE GOLD FLASH PLATING WITH SINGLE LOCATING PEG BLACK COLOR ROHS |
| DWG. 製圖 Betty | | SIZE. 紙張尺寸 A 4 | PART NO. 料號 C3503-XXDGBA00R |
| DATE 制表日 2012/06/04 | | REV. 版次 B | |