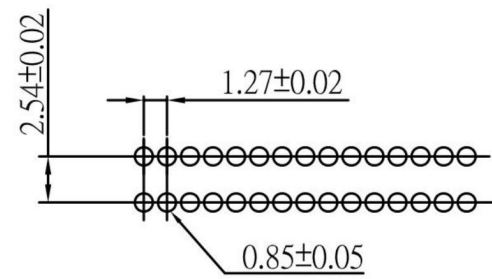
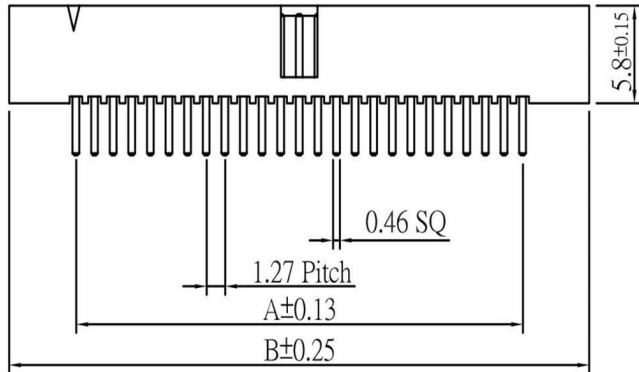
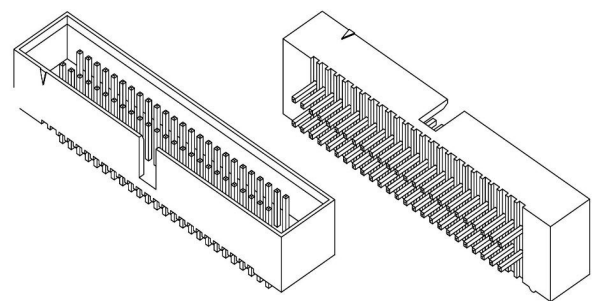
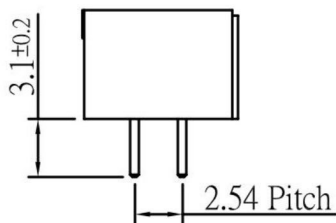
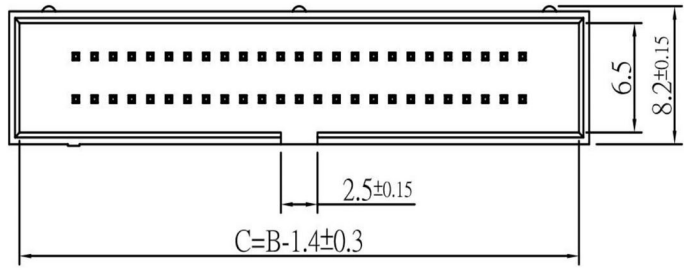


1 2 3 4 5 6 7 8

A
B
C
D
E
F
G
H

A
B
C
D
E
F
G
H



| Circuits | Dimension | |
|----------|-----------|-------|
| | A | B |
| 08 | 3.81 | 13.10 |
| 10 | 5.08 | 14.37 |
| 16 | 8.89 | 18.18 |
| 20 | 11.43 | 20.72 |
| 26 | 15.24 | 24.53 |
| 30 | 17.78 | 27.07 |
| 34 | 20.32 | 29.61 |
| 40 | 24.13 | 33.42 |
| 44 | 26.67 | 35.96 |
| 50 | 30.48 | 39.77 |
| 60 | 36.83 | 46.12 |
| 68 | 41.91 | 51.20 |
| 80 | 49.53 | 58.82 |
| 100 | 62.23 | 71.52 |

Contact:
 Contact: Brass.
 Insulator: Nylon 6T.
 Finish: Gold flash plated over nickel.

Specification:
 Current Rating: 1Amps.
 Insulator Resistance: 1000 Megohms min.
 Contact Resistance: 20m ohms max.
 Dielectric Withstanding: AC 500 V.
 Operating Temperature: -40° ~ +85°C.
 Max Processing Temp: 230°C for 60 seconds.

P.C.Board Layout

| | | | |
|--------------------------|-------------------|--------------------------------------------------------------------------------------------------------------------|---------------------------------------|
| RoHS Compliant | | HSM 玄茂科技股份有限公司 HSUAN MAO TECHNOLOGY CO., LTD. | |
| APPD. 核准 BETTY | | PART NAME 品名 BOX HEADER 1.27mm X 2.54mm H=5.8mm XXP STRAIGHT TYPE GOLD FLASH PLATING BLACK INSULATOR ROHS | |
| DWG. 製圖 BETTY | SCALE 比例 參考 | UNIT 單位 MM | SIZE. 紙張尺寸 A 4 |
| DATE 製表日 2017/10/23 | PAGE 張數 1 OF 1 | REV. 版次 C | PART NO. 料號 C3503-XXSGB000R |

1 2 3 4 5 6 7 8