

1 2 3 4 5 6 7 8

A

B

C

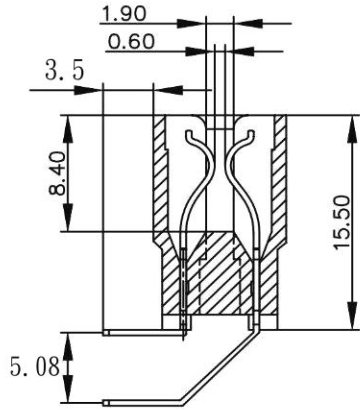
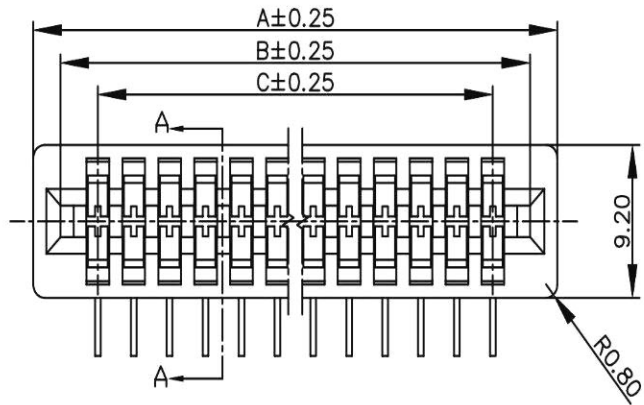
D

E

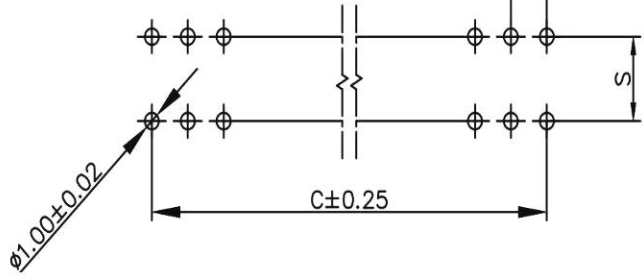
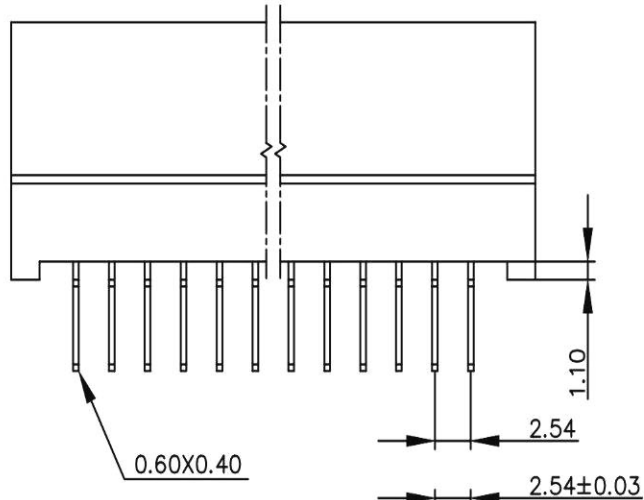
F

G

H



SEC: A-A



FEATURE:

INSULATOR
Glass-Filled PBT is 94V-0 rated
CONTACT
Phosphor Bronze selective gold plating over nickel

SPECIFICATION:

Current Rating : 3 amperes
Contact Resistance : 20 miniohms max.
Operation Temperature : -55°c to +105°c
Voltage Rating : 800 VAC 1 minute
Insulation Resistance : 5000 megaohms min.
Insertion Force : 412 grams max. per pair
Withdrawal Force : 32 grams min. per pair

CONTACTS NO.	DIM A	DIM B	DIM C	CONTACTS NO.	DIM A	DIM B	DIM C
2/4	11.68	7.82	2.54	18/36	52.32	48.46	43.18
3/6	14.22	10.36	5.08	19/38	54.86	51.00	45.72
4/8	16.76	12.90	7.62	20/40	57.40	53.54	48.26
5/10	19.30	15.44	10.16	22/44	62.48	58.62	53.34
6/12	21.84	17.98	12.70	24/48	67.56	63.70	58.42
7/14	24.38	20.52	15.24	25/50	70.10	66.24	60.96
8/16	26.92	23.06	17.78	30/60	82.80	78.94	73.66
9/18	29.46	25.60	20.32	31/62	85.34	81.48	76.20
10/20	32.00	28.14	22.86	32/64	87.88	84.02	78.74
11/22	34.54	30.68	25.40	35/70	95.50	91.64	86.36
12/24	37.08	33.22	27.94	36/72	98.04	94.18	88.90
13/26	39.62	35.76	30.48	40/80	108.20	104.34	99.06
14/28	42.16	38.30	33.02	43/86	115.82	111.96	106.68
15/30	44.70	40.84	35.56	49/98	138.68	134.82	129.54
16/32	47.24	43.38	38.10	50/100	133.60	129.74	124.46
17/34	49.78	45.92	40.64	54/108	143.76	139.90	134.62

RoHS
Compliant

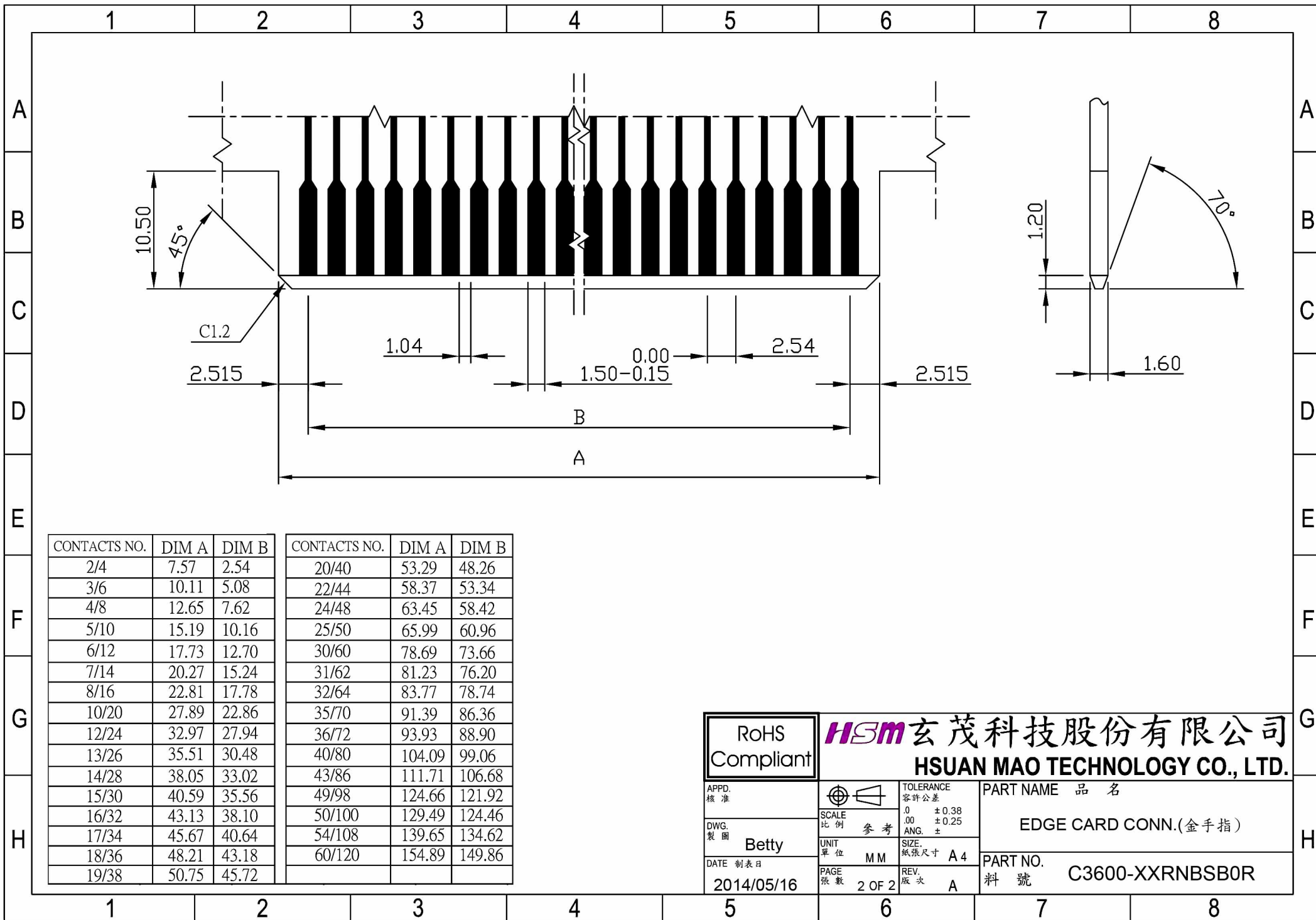
HSM 玄茂科技股份有限公司
HSUAN MAO TECHNOLOGY CO., LTD.

APPD. 核准 BETTY
DWG. 製圖 KAREN
DATE 制表日 2012/10/19

SCALE 比例 參考
UNIT 單位 MM
PAGE 張數 1 OF 2
TOLERANCE
X ± 0.10
Y ± 0.38
.XX ± 0.25
SIZE 線規尺寸 A4
REV. 版本 B

PART NAME 品名
2.54mm SLOT RIGHT ANGLE XXP W/O EAR W/O KINK
PBT MATERIAL SOLDER LENGTH: 3.5mm SELECTIVE
GOLD PLATING BLACK INSULATOR ROHS
PART NO.
料號 C3600-XXRNBSBOR

1 2 3 4 5 6 7 8



CONTACTS NO.	DIM A	DIM B	CONTACTS NO.	DIM A	DIM B
2/4	7.57	2.54	20/40	53.29	48.26
3/6	10.11	5.08	22/44	58.37	53.34
4/8	12.65	7.62	24/48	63.45	58.42
5/10	15.19	10.16	25/50	65.99	60.96
6/12	17.73	12.70	30/60	78.69	73.66
7/14	20.27	15.24	31/62	81.23	76.20
8/16	22.81	17.78	32/64	83.77	78.74
10/20	27.89	22.86	35/70	91.39	86.36
12/24	32.97	27.94	36/72	93.93	88.90
13/26	35.51	30.48	40/80	104.09	99.06
14/28	38.05	33.02	43/86	111.71	106.68
15/30	40.59	35.56	49/98	124.66	121.92
16/32	43.13	38.10	50/100	129.49	124.46
17/34	45.67	40.64	54/108	139.65	134.62
18/36	48.21	43.18	60/120	154.89	149.86
19/38	50.75	45.72			

APPD. 核准 DWG. 製圖 DATE 制表日 2014/05/16		Betty M M 2 OF 2		RoHS Compliant	玄茂科技股份有限公司 HSUAN MAO TECHNOLOGY CO., LTD.	TOLERANCE 容許公差 .0 ±0.38 .00 ±0.25 ANG. ± SIZE. 紙張尺寸 A 4 REV. 版次 A	PART NAME 品名 EDGE CARD CONN.(金手指) PART NO. 料號 C3600-XXRNBSB0R
---	--	------------------------	--	-------------------	--	---	--