

1 2 3 4 5 6 7 8

A

B

C

D

E

F

G

H

A

B

C

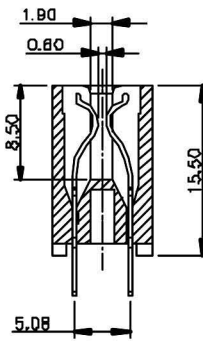
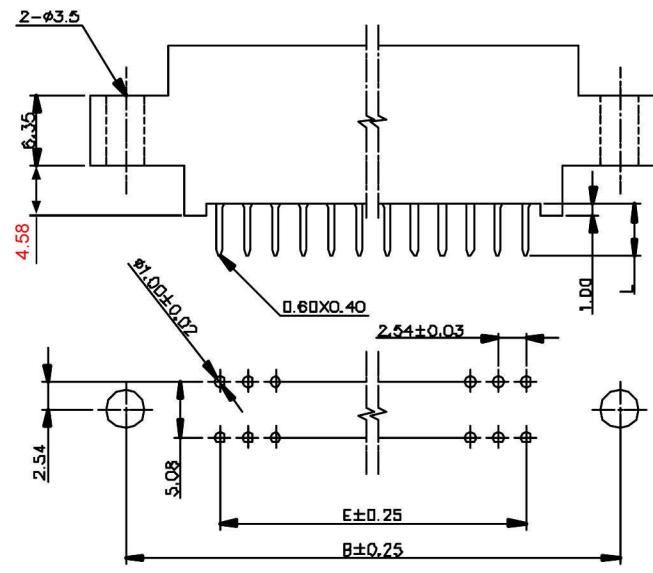
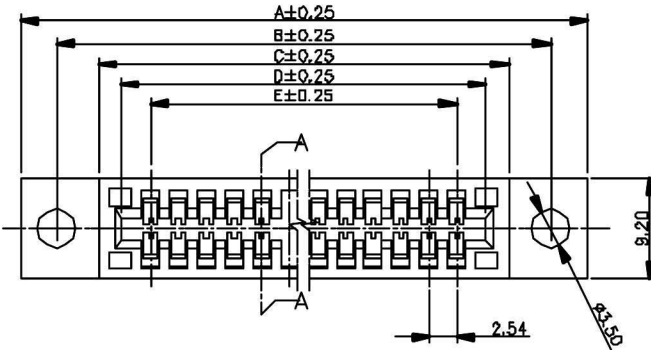
D

E

F

G

H



SEC A-A

FEATURE:

INSULATOR
Glass-Filled P.B.T. is 94V-0 rated
CONTACT
Phosphor Bronze selective gold plating over nickel

SPECIFICATION:

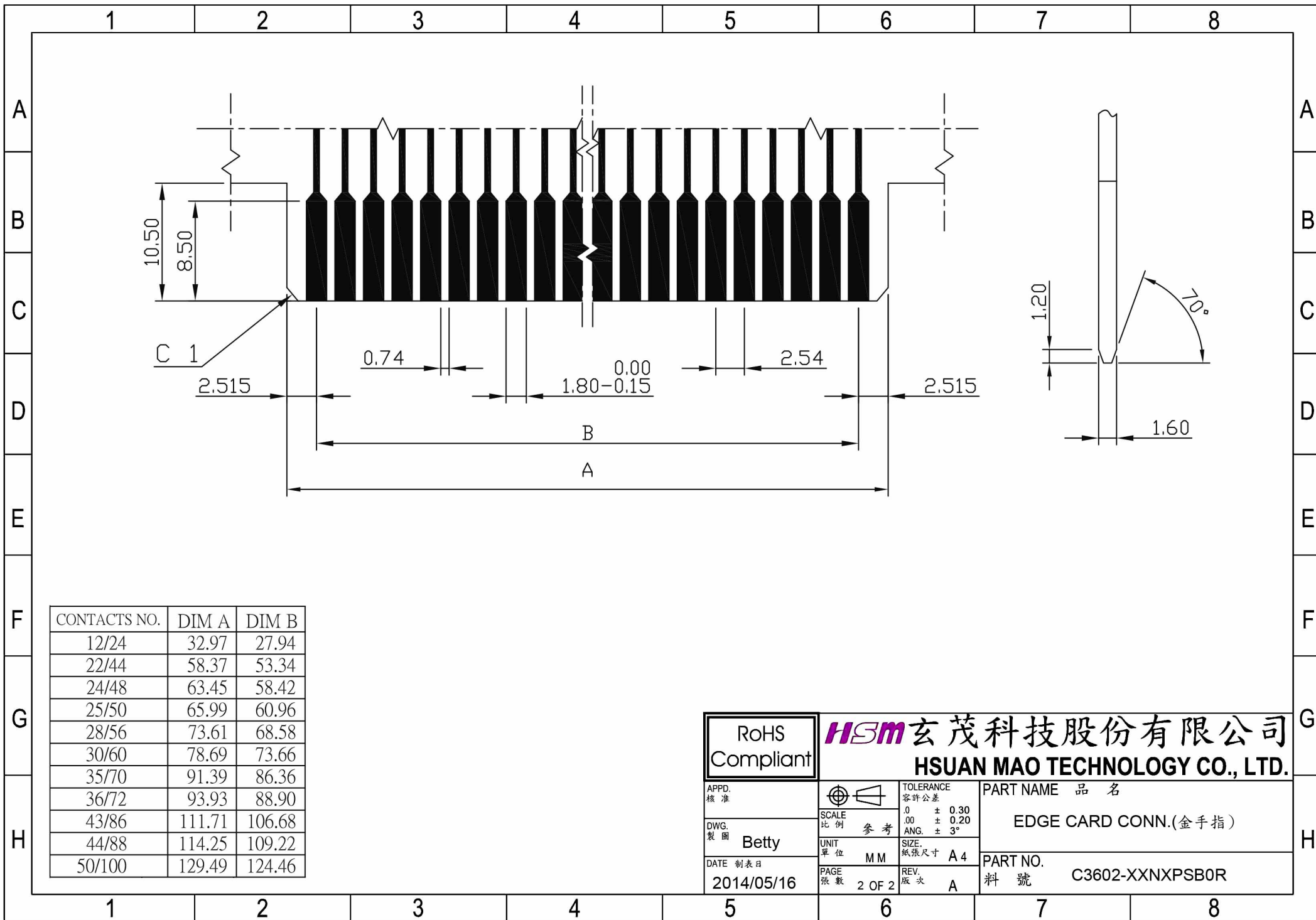
Current Rating : 3 amperes
Contact Resistance : 20 miniohms max.
Operation Temperature : -55°C to +105°C
Voltage Rating : 800 VAC 1 minute
Insulation Resistance : 5000 megaohms min.
Insertion Force : 412 grams max. per pair
Withdrawal Force : 32 grams min. per pair

TAIL LENGTH	L
B	4.70mm
C	6.10mm
D	14.10mm
E	21.80mm

CONTACT NO	DIM A	DIM B	DIM C	DIM D	DIM E
12/24	51.69	45.09	37.38	33.22	27.94
22/44	77.09	70.49	62.78	58.62	53.34
24/48	82.17	75.57	67.86	63.70	58.42
25/50	84.71	78.11	70.40	66.24	61.96
28/56	92.33	85.73	78.02	73.86	68.58
30/60	97.41	90.81	83.10	78.94	73.66
35/70	110.11	103.51	95.81	91.64	86.36
36/72	112.65	106.05	98.34	94.18	88.91
43/86	131.43	123.83	116.12	111.96	106.68
44/88	133.17	126.57	118.66	114.51	119.22
50/100	148.21	141.61	133.90	129.74	124.46

RoHS Compliant	HSM 玄茂科技股份有限公司 HSUAN MAO TECHNOLOGY CO., LTD.	
	APPD. 核准 Betty DWG. 製圖 Betty DATE 制表日 2014/06/19	TOLERANCE 容許公差 .0 ± 0.38 .00 ± 0.25 ANG. ±
SCALE 比例 參考 UNIT 單位 MM PAGE 張數 1 / 2	SIZE 紙張尺寸 A 4 REV. 版次 B	PART NO. 料號 C3602-XXNXPSB0R

1 2 3 4 5 6 7 8



CONTACTS NO.	DIM A	DIM B
12/24	32.97	27.94
22/44	58.37	53.34
24/48	63.45	58.42
25/50	65.99	60.96
28/56	73.61	68.58
30/60	78.69	73.66
35/70	91.39	86.36
36/72	93.93	88.90
43/86	111.71	106.68
44/88	114.25	109.22
50/100	129.49	124.46

APPD. 核准		 SCALE 比例 参考	TOLERANCE 容許公差 .0 ± 0.30 .00 ± 0.20 ANG. ± 3°	PART NAME 品名 EDGE CARD CONN.(金手指)	
DWG. 製圖 Betty				UNIT 單位 MM	SIZE. 紙張尺寸 A 4
DATE 制表日 2014/05/16		PAGE 張數 2 OF 2	REV. 版次 A		

RoHS Compliant **HSM** 玄茂科技股份有限公司
 HSUAN MAO TECHNOLOGY CO., LTD.