

1 2 3 4 5 6 7 8

A

B

C

D

E

F

G

H

A

B

C

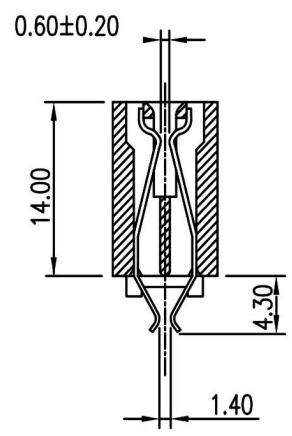
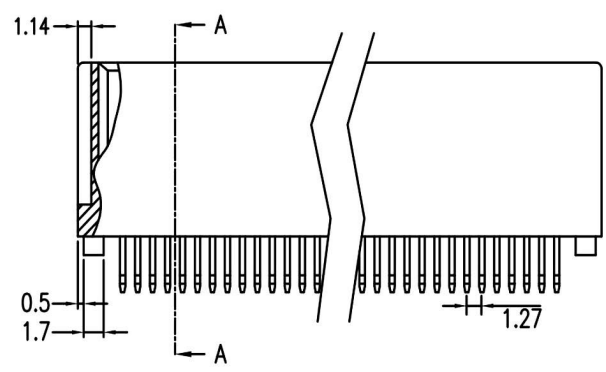
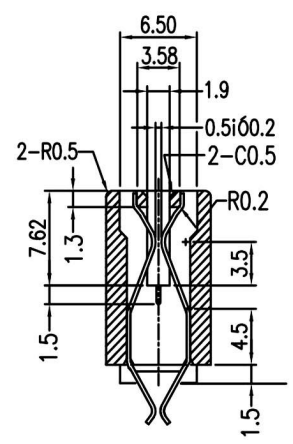
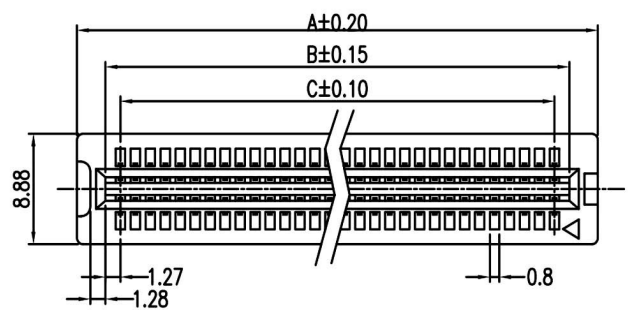
D

E

F

G

H



MATERIAL

INSULATOR: NY-66 GLASS-REINFORCED THERMOPLASTIC.
 CONTACT: BRASS.
 PLATING: MATING AREA - GOLD FLASH GOLD OVER NICKEL.
 SOLDER AREA - TIN OVER NICKEL.

ELECTRICAL

VOLTAGE RATING: 250 VAC RMS.
 CURRENT RATING: 1 AMP.
 DIELECTRIC WITHSTANDING VOLTAGE: 500 VAC RMS 60Hz FOR 1 MINUTE.
 INSULATION RESISTANCE: 1000 MEGOHMS MIN AT 500 VDC.
 CONTACT RESISTANCE: 30 MILLIOHMS MAX.

MECHANICAL

RETENTION FORCE: 460 GRAMS MIN PER CONTACT.
 INSERTION FORCE: 230 GRAMS MAX PER CONTACT PAIR.
 WITHDRAWAL FORCE: 15 GRAMS MIN PER CONTACT PAIR.

ENVIRONMENTAL

TEMPERATURE RANGE: -55°C TO +85°C.

SECTION A-A

Circuit	Dimension			Circuit	Dimension		
	A	B	C		A	B	C
04	8.64	3.81	1.27	38	30.23	25.40	22.86
06	9.91	5.08	2.54	40	31.50	26.67	24.13
08	11.18	6.35	3.81	42	32.77	27.94	25.40
10	12.45	7.62	5.08	44	34.04	29.21	26.67
12	13.72	8.89	6.35	46	35.31	30.48	27.94
14	14.99	10.16	7.62	48	36.58	31.75	29.21
16	16.26	11.43	8.89	50	37.85	33.02	30.48
18	17.53	12.70	10.16	52	39.12	34.29	31.75
20	18.80	13.97	11.43	54	40.39	35.56	33.02
22	20.07	15.24	12.70	56	41.66	36.83	34.29
24	21.34	16.51	13.97	58	42.93	38.10	35.56
26	22.61	17.78	15.24	60	44.20	39.37	36.83
28	23.88	19.05	16.51	80	56.90	52.07	49.53
30	25.15	20.32	17.78	100	69.60	64.77	62.23
32	26.42	21.59	19.05	120	82.30	77.47	74.93
34	27.69	22.86	20.32	124	84.84	80.01	77.47
36	28.96	24.13	21.59	128	87.38	82.55	80.01

RoHS Compliant		HSM 玄茂科技股份有限公司 HSUAN MAO TECHNOLOGY CO., LTD.	
APPD. 核准		UNLESS OTHERWISE SPECIFIED 0-10 ±0.2 10-30 ±0.3 30-100 ±0.4 100-300 ±0.5 OVER 300 ±0.6 ANGULAR ±0.5°	PART NAME 品名 1.27mm SLOT CLIP TYPE WITHOUT EAR XXPin ROW TO ROW: 1.4mm SELECTIVE GOLD PLATING (MATERIAL: BRASS) MATERIAL: NYLON 66 BLACK COLOR ROHS
DWG. 製圖	Betty	SCALE 比例 參考	PART NO. 料號 C3605-XXASABB0R
DATE 制表日	2017/11/16	UNIT 單位 M M PAGE 張數 1 OF 1	REV. 版次 A

1 2 3 4 5 6 7 8