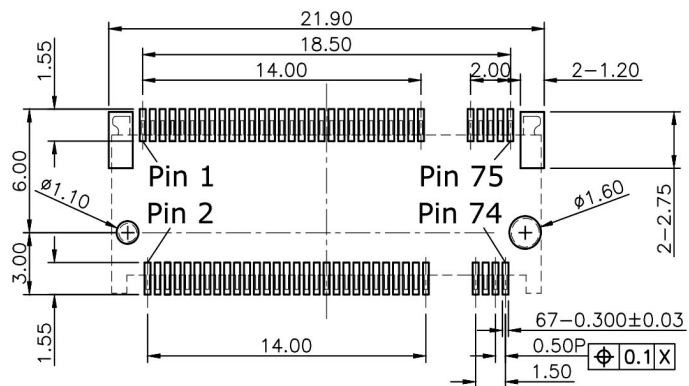
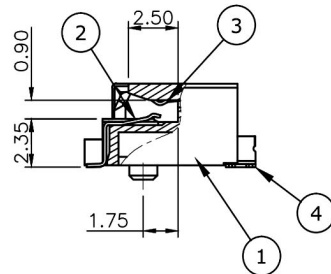
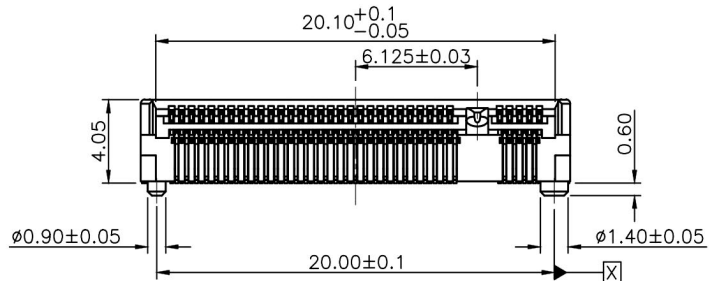
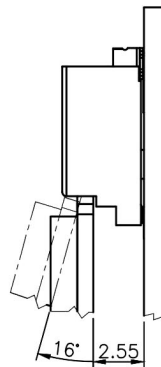


Date code: YWW D  
 Y=Year, 0~9  
 WW=Week, 1~52  
 D=Day, 1~7



Recommended Layout (Top View)  
 General Tolerance: ±0.05mm



SPECIFICATION:

1. ELECTRICAL
  - 1.1 Current Rating: 0.5A per pin
  - 1.2 Voltage Rating: 50VAC
  - 1.3 Contact Resistance: 50mΩ
  - 1.4 Insulation Resistance: 500MΩ
  - 1.5 Dielectric Withstanding Voltage: 300VAC
2. MECHANICAL
  - 2.1 Durability: 60 Cycle
  - 2.2 Mating Force: 20N max.
  - 2.3 Un-mating Force: 25N max.
3. ENVIRONMENTAL
  - 3.1 Operating temperature range: -40°C~+80°C
  - 3.2 Storage temperature range: -40°C~+80°C
4. SOLDER ABILITY
  - 4.1 Recommended IR Reflow(Wave Soldering) Temperature: 260°C

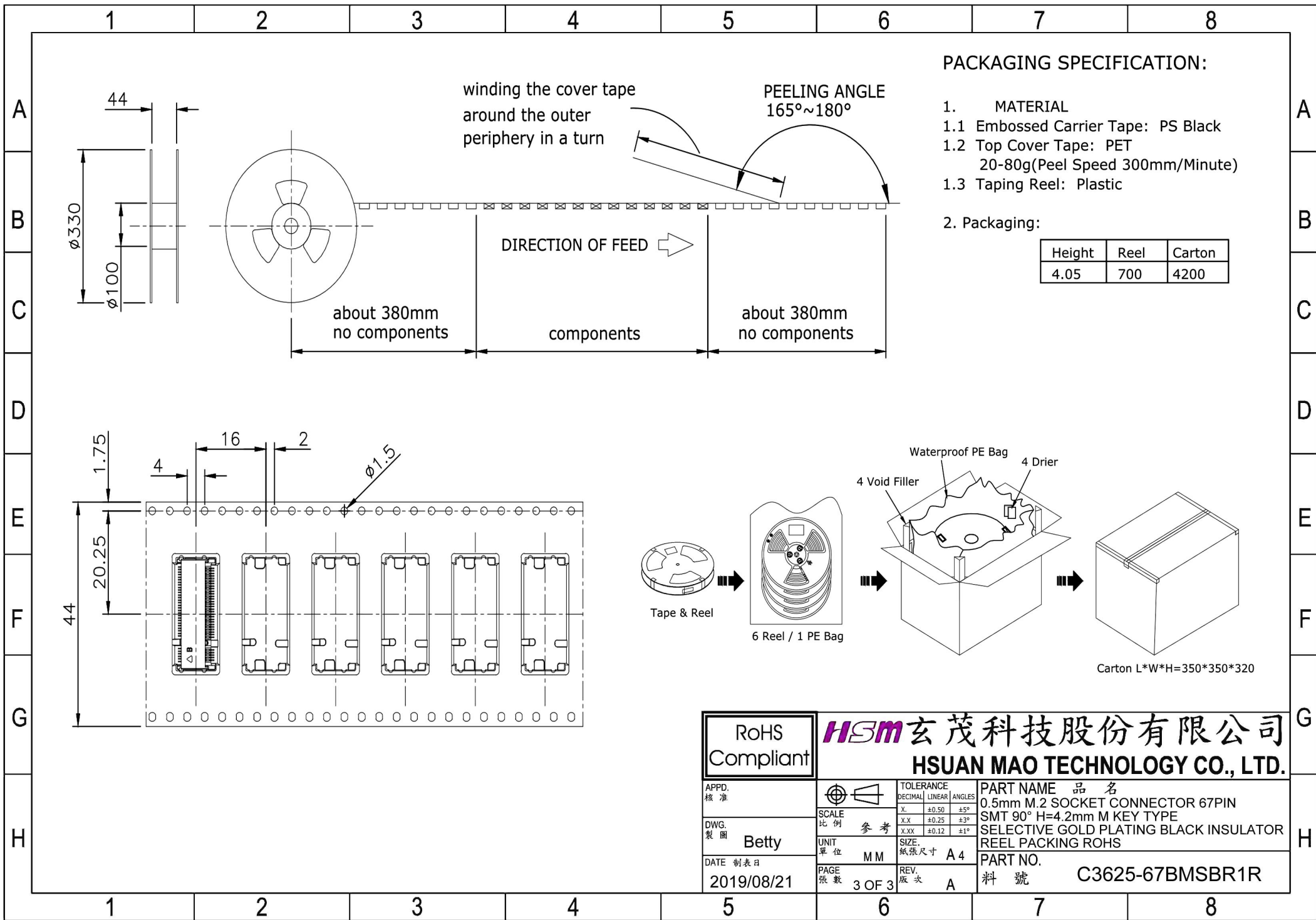
4	HOLD DOWN	BRASS, C2680R-H, 100u" Matte Tin plated, under-plated Nickel 50u"
3	LOWER CONTACT	PHOSPHOR BRONZE, C5210R-EH
2	UPPER CONTACT	Contact area: Gold flash, Solder area: Gold flash, all under-plated Nickel 50u"
1	INSULATOR	LCP, UL94V-0, BLACK
NO.	PART NAME	DESCRIPTION

RoHS Compliant

**HSM** 玄茂科技股份有限公司  
**HSUAN MAO TECHNOLOGY CO., LTD.**

APPD. 核准	Betty	SCALE 比例 参考	UNIT 單位 M M	DATE 制表日 2019/08/21	PAGE 張數 3 OF 1	TOLERANCE DECIMAL LINEAR ANGLES X. ±0.50 ±5° X.X ±0.25 ±3° X.XX ±0.12 ±1°	PART NAME 品名 0.5mm M.2 SOCKET CONNECTOR 67PIN SMT 90° H=4.2mm M KEY TYPE SELECTIVE GOLD PLATING BLACK INSULATOR REEL PACKING ROHS
				REV. 版次 A		PART NO. 料號 C3625-67BMSBR1R	





**PACKAGING SPECIFICATION:**

1. MATERIAL
  - 1.1 Embossed Carrier Tape: PS Black
  - 1.2 Top Cover Tape: PET 20-80g(Peel Speed 300mm/Minute)
  - 1.3 Taping Reel: Plastic

2. Packaging:

Height	Reel	Carton
4.05	700	4200

RoHS Compliant	<b>HSM</b> 玄茂科技股份有限公司 <b>HSUAN MAO TECHNOLOGY CO., LTD.</b>	
APPD. 核准	 TOLERANCE DECIMAL LINEAR ANGLES X. ±0.50 ±5° X.X ±0.25 ±3° X.XX ±0.12 ±1°	PART NAME 品名 0.5mm M.2 SOCKET CONNECTOR 67PIN SMT 90° H=4.2mm M KEY TYPE SELECTIVE GOLD PLATING BLACK INSULATOR REEL PACKING ROHS
DWG. 製圖 Betty		SCALE 比例 參考
DATE 制表日 2019/08/21	UNIT 單位 MM	
	PAGE 張數 3 OF 3	
	REV. 版次 A	