

DIMENSIONS						
POSITION	A ± 0.20	B $^{+0.20}_{-0.08}$	C ± 0.25	D ± 0.25	E ± 0.25	F ± 0.25
36	6	7.65	9.15	25	7.35	27
64	20	21.65	23.15	39	21.35	41
98	37	38.65	40.15	56	38.35	58
164	70	71.65	73.15	89	71.35	91

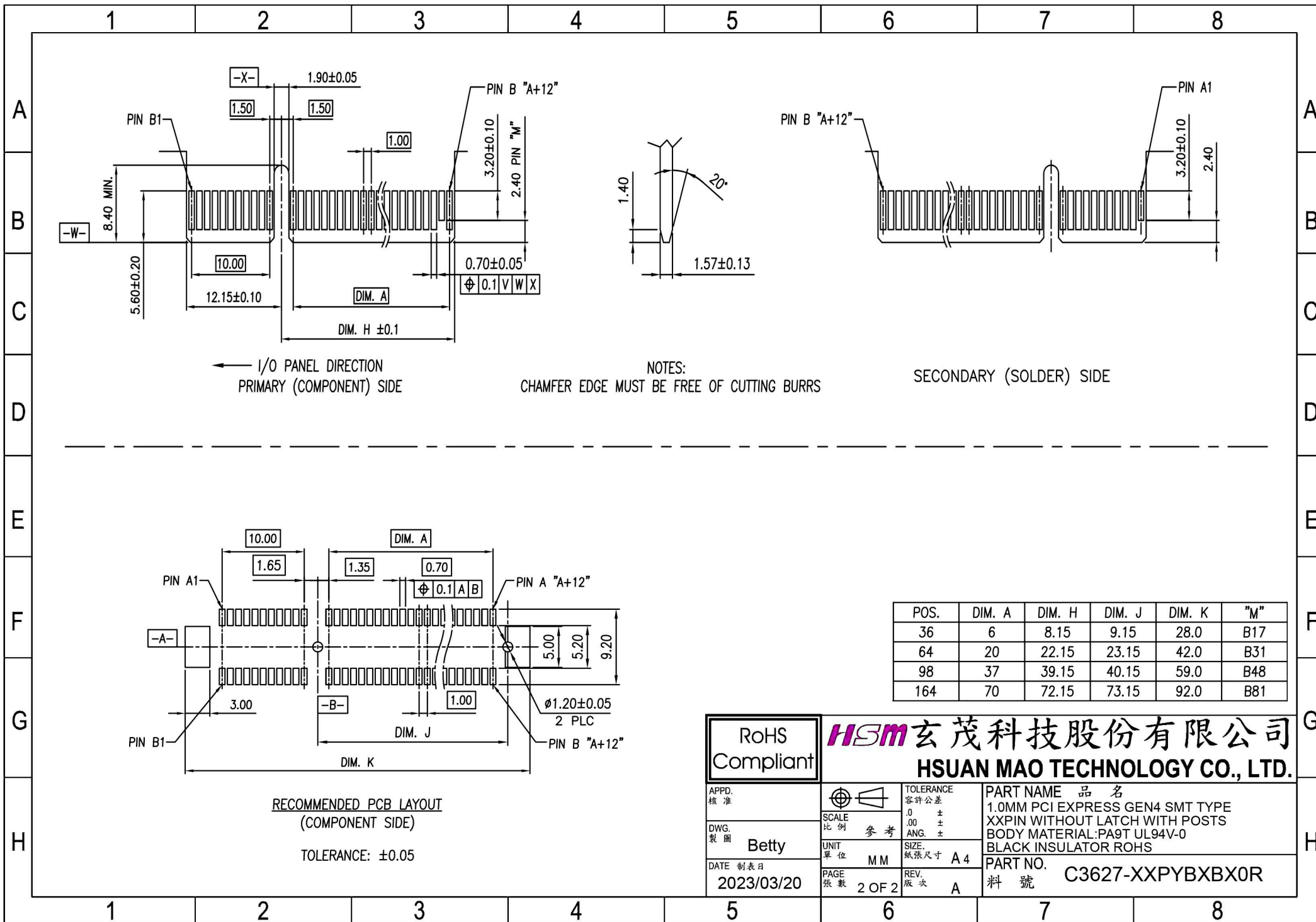
RoHS
Compliant

HSM 玄茂科技股份有限公司
HSUAN MAO TECHNOLOGY CO., LTD.

APPD.
核准
Betty
DATE 制表日
2023/03/20

SCALE 比例 参考
UNIT 單位 M M
PAGE 張數 1 OF 2
TOLERANCE
LINEAR ANGLES
X. ± 0.40 X \pm
.X ± 0.30 .X \pm
.XX ± 0.20 .XX \pm
.XXX ± 0.10 .XXX \pm
SIZE 紙張尺寸 A 4
REV. 版次 A

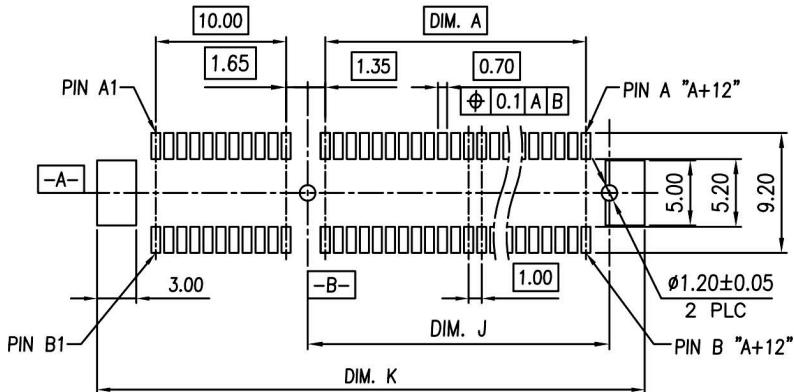
PART NAME 品名
1.0MM PCI EXPRESS GEN4 SMT TYPE
XXPIN WITHOUT LATCH WITH POSTS
BODY MATERIAL: PA9T UL94V-0
BLACK INSULATOR ROHS
PART NO.
料號 C3627-XXPYBXX0R



← I/O PANEL DIRECTION
PRIMARY (COMPONENT) SIDE

NOTES:
CHAMFER EDGE MUST BE FREE OF CUTTING BURRS

SECONDARY (SOLDER) SIDE



RECOMMENDED PCB LAYOUT
(COMPONENT SIDE)

TOLERANCE: ±0.05

POS.	DIM. A	DIM. H	DIM. J	DIM. K	"M"
36	6	8.15	9.15	28.0	B17
64	20	22.15	23.15	42.0	B31
98	37	39.15	40.15	59.0	B48
164	70	72.15	73.15	92.0	B81

RoHS
Compliant

HSM 玄茂科技股份有限公司
HSUAN MAO TECHNOLOGY CO., LTD.

APPD.
核准
Betty
DATE 制表日
2023/03/20

SCALE
比例 參考
UNIT
單位 MM
PAGE
張數 2 OF 2

TOLERANCE
容許公差
.0 ±
.00 ±
ANG. ±
SIZE.
紙張尺寸 A 4
REV.
版次 A

PART NAME 品名
1.0MM PCI EXPRESS GEN4 SMT TYPE
XXPIN WITHOUT LATCH WITH POSTS
BODY MATERIAL:PA9T UL94V-0
BLACK INSULATOR ROHS
PART NO.
料號 C3627-XXPYBXX0R