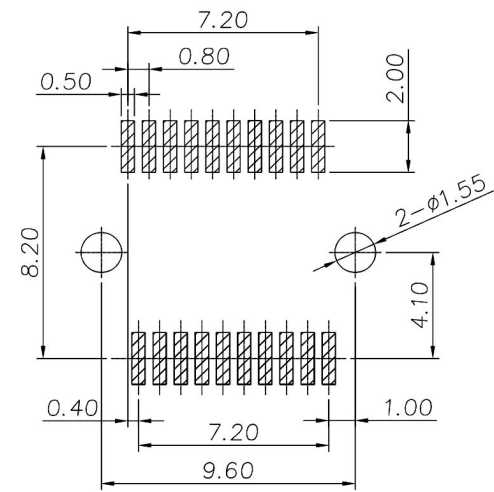
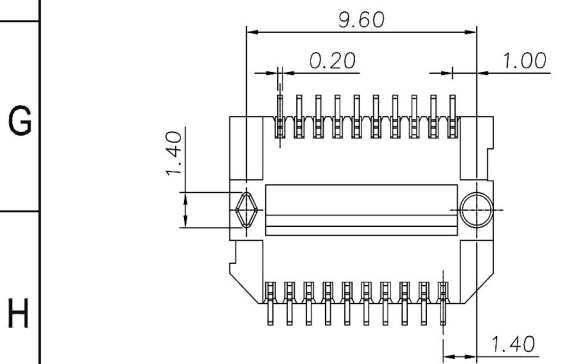


**NOTES:**

- Material:**  
 Housing: LCP, UL94-V0 Rated.  
 Color: Black.  
 Contact: Phosphor Bronze.  
 Plating: Gold Plating on Contact Area.  
 Matt Tin(100u" Min.) Plating on Solder Tail.  
 Nickel(50u" Min.) UnderPlating Overall.
- Environmental:**  
 Operating Temperature: -55°C to +105°C.



**RECOMMENDED P.C.B LAYOUT  
TOP VIEW (TOLERANCE : ±0.05)**



RoHS Compliant		<b>玄茂科技股份有限公司</b> <b>HSUAN MAO TECHNOLOGY CO., LTD.</b>	
APPD. 核准	SCALE 比例	UNLESS OTHERWISE SPECIFIED DIMENSIONS ARE IN MM TOLERANCES ARE: DECIMALS ANGLES .XX ± .25 ± 3° .XXX ± .20	PART NAME 品名 0.8mm SFP CONNECTOR SMT 90° 2X10P
DWG. 製圖	UNIT 單位	SIZE. 紙張尺寸	MATERIAL: LCP W/ PLASTIC POST (DIP L=1.15mm)
DATE 制表日	PAGE 張數	REV. 版次	BLACK COLOR REEL PACKING ROHS
2020/01/10	1 OF 1	A	PART NO. 料號 C3700-20ANXR0R
Betty			