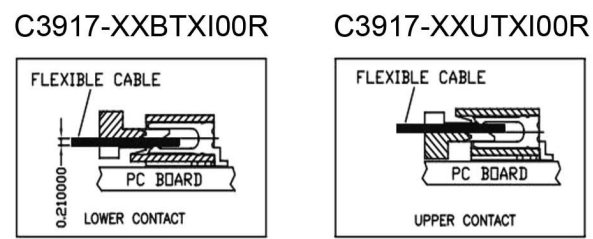
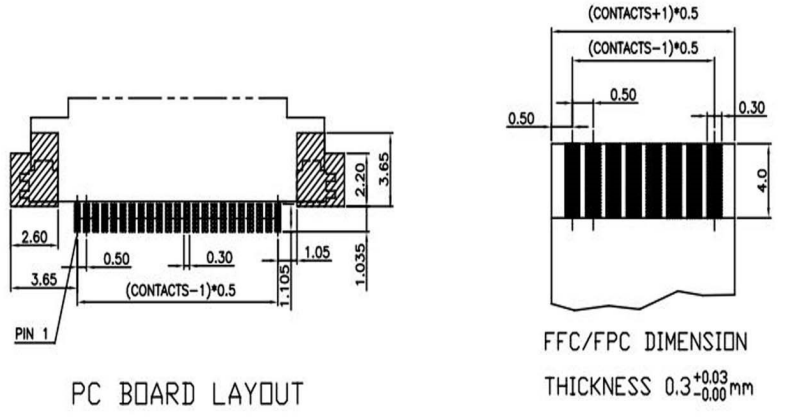


NOTE
1. MATERIALS: HOUSING: HEAT RESISTANCE PLASTIC UL94V-0
COVER: HEAT RESISTANCE PLASTIC UL94V-0
CONTACT: COPPER ALLOY
TIN/LEAD 100u" min
OVER NICKEL 50u" min
LATCH: COPPER ALLOY

PIN	A	B	C	D	E	F	PIN	A	B	C	D	E	F
4	8.60	1.5	6.60	5.96	4.30	7.90	32	22.60	15.5	20.60	6.36	4.70	21.90
5	9.10	2.0	7.10	5.96	4.30	8.40	33	23.10	16.0	21.10	6.36	4.70	22.40
6	9.60	2.5	7.60	5.96	4.30	8.90	34	23.60	16.5	21.60	6.36	4.70	22.90
7	10.10	3.0	8.10	5.96	4.30	9.40	35	24.10	17.0	22.10	6.36	4.70	23.40
8	10.60	3.5	8.60	5.96	4.30	9.90	36	24.60	17.5	22.60	6.36	4.70	23.90
9	11.10	4.0	9.10	5.96	4.30	10.40	37	25.10	18.0	23.10	6.36	4.70	24.40
10	11.60	4.5	9.60	5.96	4.30	10.90	38	25.60	18.5	23.60	6.36	4.70	24.90
11	12.10	5.0	10.10	5.96	4.30	11.40	39	26.10	19.0	24.10	6.36	4.70	25.40
12	12.60	5.5	10.60	5.96	4.30	11.90	40	26.60	19.5	24.60	6.36	4.70	25.90
13	13.10	6.0	11.10	5.96	4.30	12.40	41	27.10	20.0	25.10	6.36	4.70	26.40
14	13.60	6.5	11.60	5.96	4.30	12.90	*42	27.60	20.5	25.60	6.36	4.70	26.90
15	14.10	7.0	12.10	5.96	4.30	13.40	43	28.10	21.0	26.10	6.36	4.70	27.40
16	14.60	7.5	12.60	5.96	4.30	13.90	44	28.60	21.5	26.60	6.36	4.70	27.90
17	15.10	8.0	13.10	5.96	4.30	14.40	45	29.10	22.0	27.10	6.36	4.70	28.40
18	15.60	8.5	13.60	5.96	4.30	14.90	46	29.60	22.5	27.60	6.36	4.70	28.90
19	16.10	9.0	14.10	5.96	4.30	15.40	*47	30.10	23.0	28.10	6.36	4.70	29.40
20	16.60	9.5	14.60	5.96	4.30	15.90	48	30.60	23.5	28.60	6.36	4.70	29.90
21	17.10	10.0	15.10	5.96	4.30	16.40	49	31.10	24.0	29.10	6.36	4.70	30.40
22	17.60	10.5	15.60	5.96	4.30	16.90	50	31.60	24.5	29.60	6.36	4.70	30.90
23	18.10	11.0	16.10	5.96	4.30	17.40	51	32.10	25.0	30.10	6.36	4.70	31.40
24	18.60	11.5	16.60	5.96	4.30	17.90	*52	32.60	25.5	30.60	6.36	4.70	31.90
25	19.10	12.0	17.10	5.96	4.30	18.40	53	33.10	26.0	31.10	6.36	4.70	32.40
26	19.60	12.5	17.60	5.96	4.30	18.90	54	33.60	26.5	31.60	6.36	4.70	32.90
27	20.10	13.0	18.10	5.96	4.30	19.40	55	34.10	27.0	32.10	6.36	4.70	33.40
28	20.60	13.5	18.60	5.96	4.30	19.90	56	34.60	27.5	32.60	6.36	4.70	33.90
29	21.10	14.0	19.10	5.96	4.30	20.40	57	35.10	28.0	33.10	6.36	4.70	34.40
30	21.60	14.5	19.60	5.96	4.30	20.90	*58	35.60	28.5	33.60	6.36	4.70	34.90
31	22.10	15.0	20.10	6.36	4.70	21.40	59	36.10	29.0	34.10	6.36	4.70	35.40
							60	36.60	29.5	34.60	6.36	4.70	35.90



Remark "*" Without mould. First order must charge mould cost.
 B=0.5(No. of Contact-1)
 C=B+5.1mm



RoHS Compliant		HSM 玄茂科技股份有限公司 HSUAN MAO TECHNOLOGY CO., LTD.	
APPD. 核准	SCALE 比例	TOLERANCE 容許公差	PART NAME 品名
DWG. 製圖	UNIT 單位	SIZE 紙張尺寸	FPC/FFC ZIF 0.5mm SMT TYPE HORIZONTAL TYPE
DATE 制表日	PAGE 張數	REV. 版次	XXPIN UPPER CONTACT OR LOWER CONTACT
2017/10/06	1 OF 1	B	TIN PLATING IVORY COLOR ROHS
			PART NO. 料號
			C3917-XX(U,B)TXI00R