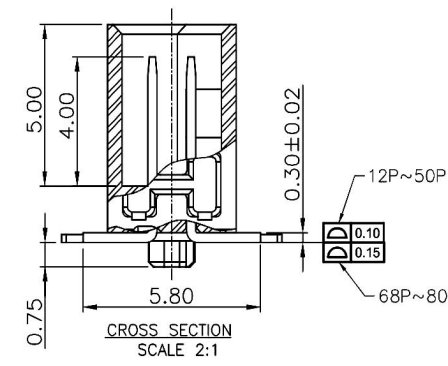
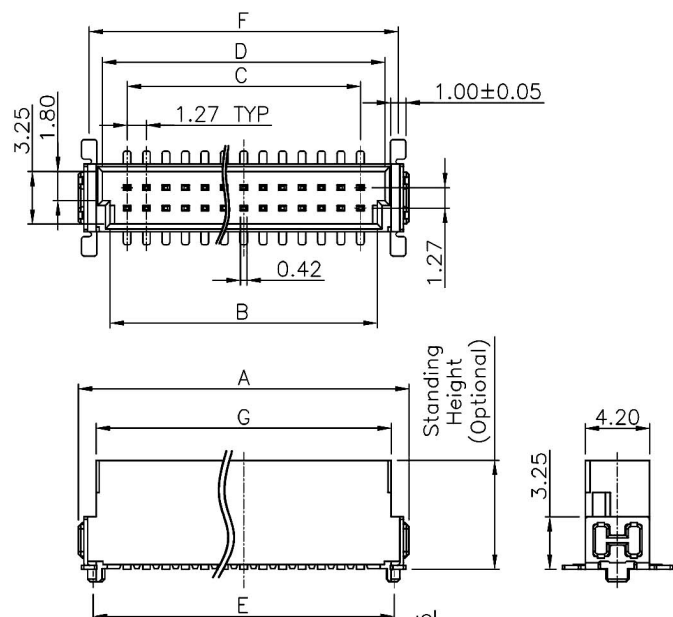


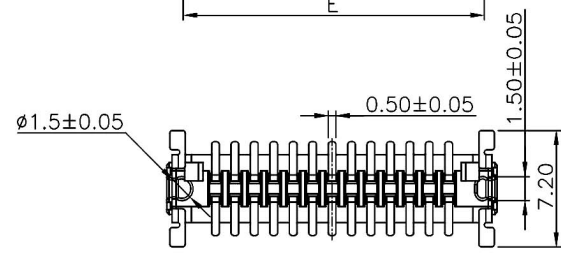
1 2 3 4 5 6 7 8

A  
B  
C  
D  
E  
F  
G  
H

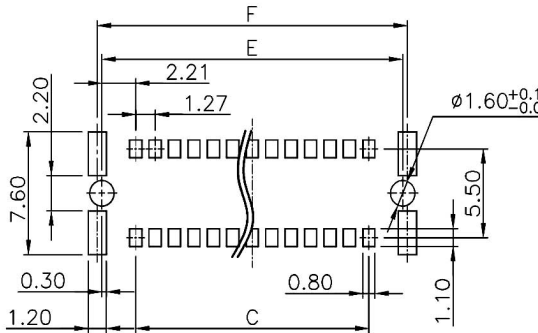
A  
B  
C  
D  
E  
F  
G  
H



**Material:**  
Housing: LCP,UL94V-0,Black.  
Contacts: Phosphor Bronze, Gold Plated on Contact Area and 100u" Tin Plated on Solder Tail over Nickel 50~80u".  
Lock: Brass,100u" Tin Plated over Nickel 40u".  
**Electrical Characteristics:**  
Current Rating: 1.7 AMP.  
Dielectric Withstanding Voltage: AC 500V.  
Insulation Resistance: 1000MΩ min.  
Contact Resistance: 25mΩ max.  
Operating Temperature: -55°C~+125°C.



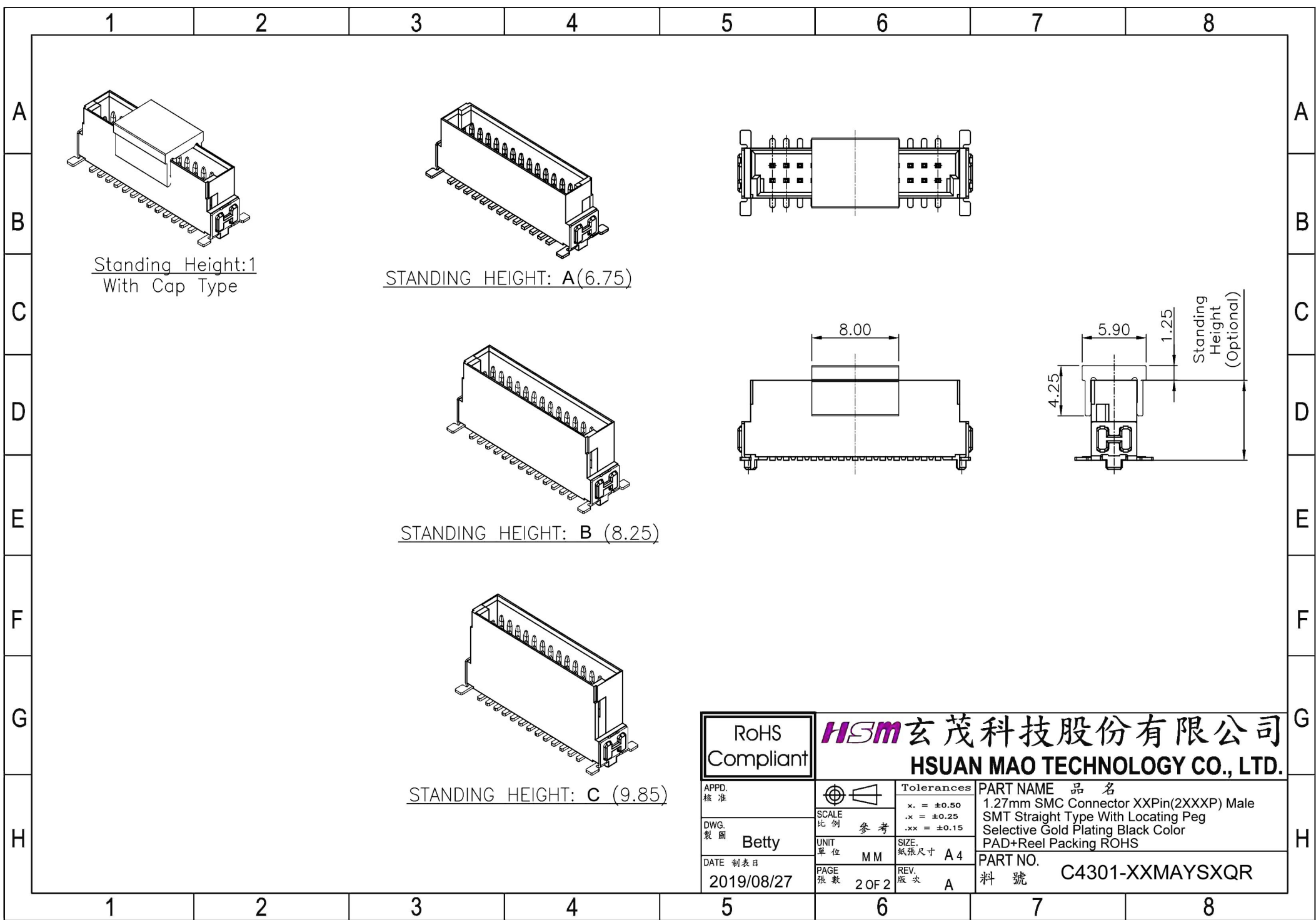
PIN NO.	A	B	C	D	E	F	G
12	12.70	8.57	6.35	9.57	10.77	11.34	10.37
16	15.24	11.11	8.89	12.11	13.31	13.88	12.91
20	17.78	13.65	11.43	14.65	15.85	16.42	15.45
24	20.32	16.19	13.97	17.19	18.39	18.96	17.99
26	21.59	17.46	15.24	18.46	19.66	20.23	19.26
30	24.13	20.00	17.78	21.00	22.20	22.77	21.80
32	25.40	21.27	19.05	22.27	23.47	24.04	23.07
40	30.48	26.35	24.13	27.35	28.55	29.12	28.15
50	36.83	32.70	30.48	33.70	34.90	35.47	34.50
68	48.26	44.13	41.91	45.13	46.33	46.90	45.93
80	55.88	51.75	49.53	52.75	53.95	54.52	53.55



P.C.Board Layout

RoHS Compliant		HSM 玄茂科技股份有限公司 HSUAN MAO TECHNOLOGY CO., LTD.	
APPD. 核准		Tolerances x. = ±0.50 .x = ±0.25 .xx = ±0.15	PART NAME 品名 1.27mm SMC Connector XXPin(2XXXP) Male SMT Straight Type With Locating Peg Selective Gold Plating Black Color PAD+Reel Packing ROHS
DWG. 製圖	Betty	SCALE 比例 參考	PART NO.
DATE 制表日	2019/08/27	UNIT 單位 MM	C4301-XXMAYSXQR
		PAGE 張數 2 OF 1	料號
		REV. 版次 A	

1 2 3 4 5 6 7 8



Standing Height: 1  
With Cap Type

STANDING HEIGHT: A (6.75)

STANDING HEIGHT: B (8.25)

STANDING HEIGHT: C (9.85)

RoHS Compliant		<b>HSM</b> 玄茂科技股份有限公司 <b>HSUAN MAO TECHNOLOGY CO., LTD.</b>	
APPD. 核准	 SCALE 比例 参考	<b>Tolerances</b> .x. = ±0.50 .x = ±0.25 .xx = ±0.15	<b>PART NAME 品名</b> 1.27mm SMC Connector XXPin(2XXXP) Male SMT Straight Type With Locating Peg Selective Gold Plating Black Color PAD+Reel Packing ROHS
DWG. 製圖  Betty			UNIT 單位 MM
DATE 制表日 2019/08/27	PAGE 張數 2 OF 2	REV. 版次 A	