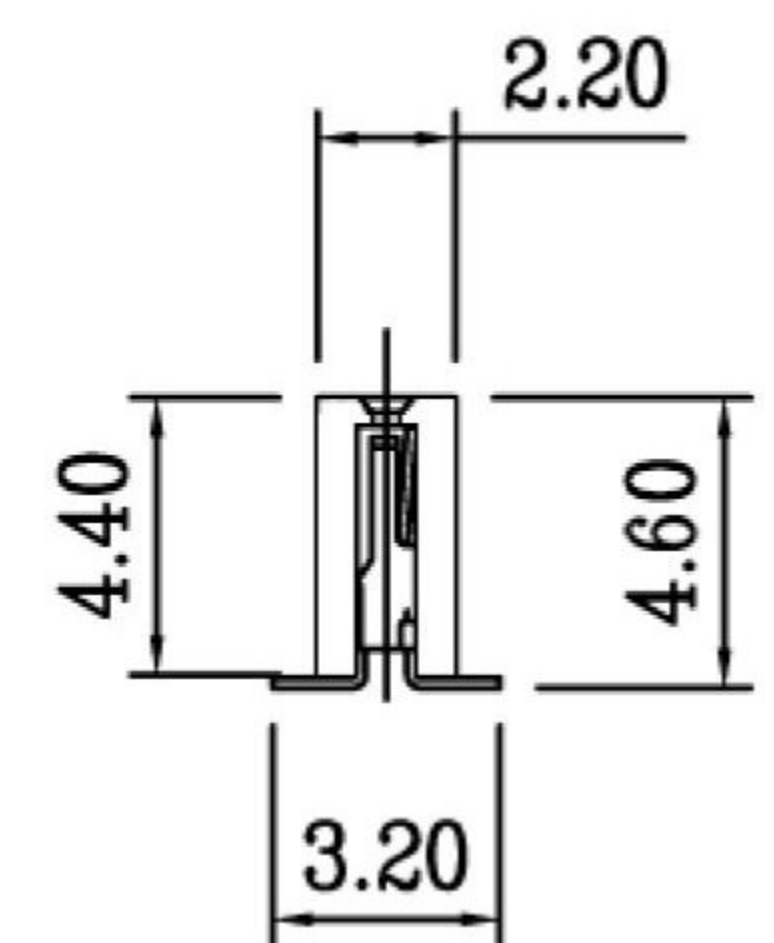
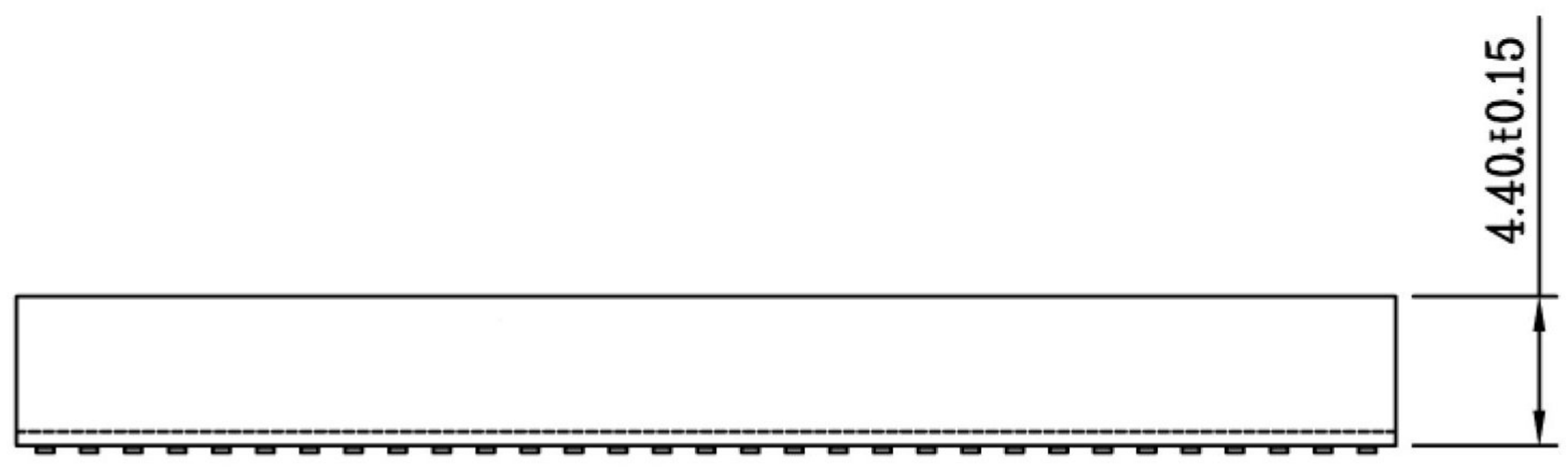
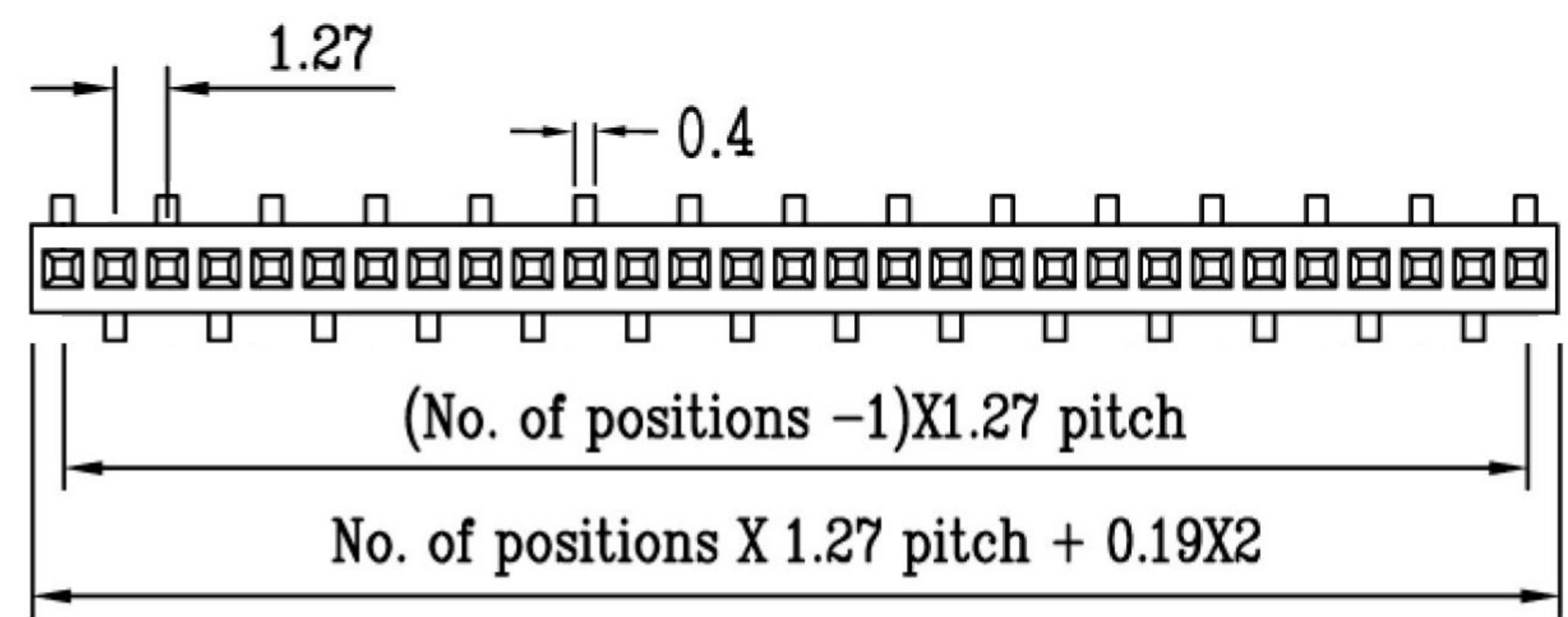
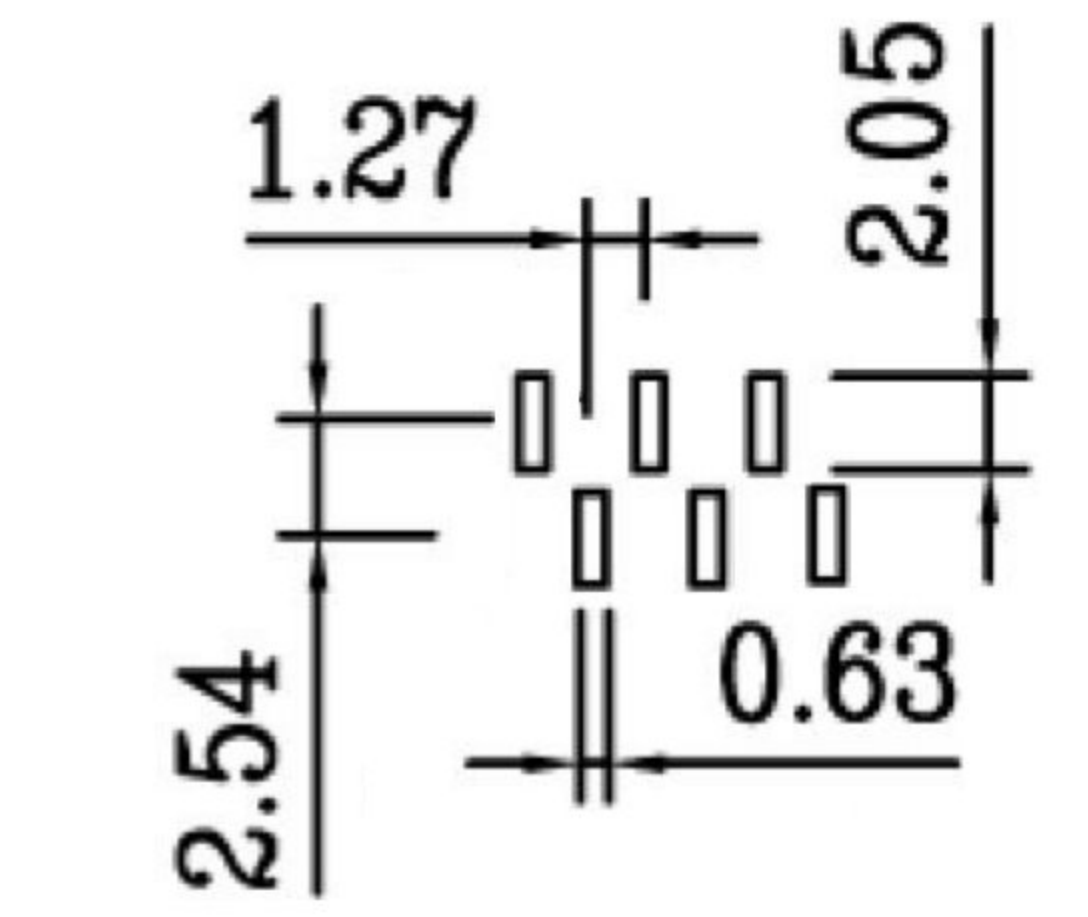


Cir-cuits	Dimension (mm)	
	L1	L2
3	2.54	4.21
4	3.81	5.48
5	5.08	6.75
6	6.35	8.02
7	7.62	9.29
8	8.89	10.56
9	10.16	11.83
10	11.43	13.10
11	12.70	14.37
12	13.97	15.64
13	15.24	16.91
14	16.51	18.18
15	17.78	19.45
16	19.05	20.72
17	20.32	21.99
18	21.59	23.26
19	22.86	24.53
20	24.13	25.80
21	25.40	27.07
22	26.67	28.34
23	27.94	29.61
24	29.21	30.88
25	30.48	32.15
26	31.75	33.42
27	33.02	34.69
28	34.29	35.96
29	35.56	37.23
30	36.83	38.50
31	38.10	39.77
32	39.37	41.04
33	40.64	42.31
34	41.91	43.58
35	43.18	44.85
36	44.45	46.12
37	45.72	47.39
38	46.99	48.66
39	48.26	49.93
40	49.53	51.20
41	50.80	52.47
42	52.07	53.74
43	53.34	55.01
44	54.61	56.28
45	55.88	57.55
46	57.15	58.82
47	58.42	60.09
48	59.69	61.36
49	60.96	62.63
50	62.23	63.90



SPECIFICATIONS

Current Rating : 1 Amps
 Insulator resistance: 5000 Megohms min.
 Dielectric withstanding: AC 500 V
 Operating Temperature: -40°-+105°C
 Max Processing Temp: 230° for 30~60 seconds
 (260° for 10 seconds)
 Contact Material: Phosphor bronze
 Housing: L.C.P (UL 94 V-0)



PCB LAYOUT

RoHS Compliant		HSM 玄茂科技股份有限公司 HSUAN MAO TECHNOLOGY CO., LTD.	
APPD. 核准 Betty	SCALE 比例 參考	TOLERANCE 容許公差 .0 ± 0.35 .00 ± 0.25 ANG. ± 3°	PART NAME 品名 1.27mm FEMALE HEADER SINGLE ROW 1XXXP H:4.3mm SMT B1 TYPE WITHOUT LOCATING PEG BLACK COLOR ROHS
DWG. 製圖 Betty	UNIT 單位 MM	SIZE. 紙張尺寸 A 4	PART NO. 料號 C4828-XXABXHNXR
DATE 制表日 2012/04/09	PAGE 張數 1 OF 1	REV. 版次 B	