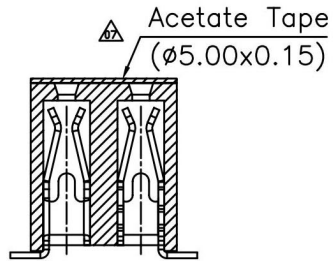
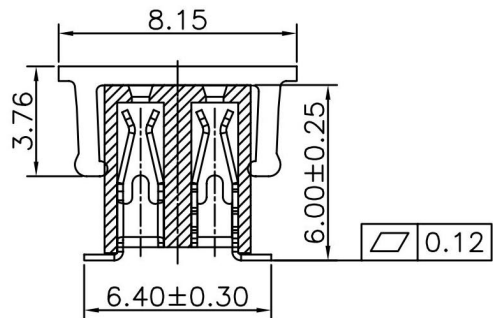
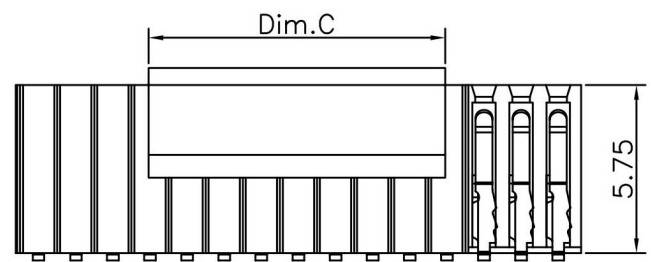


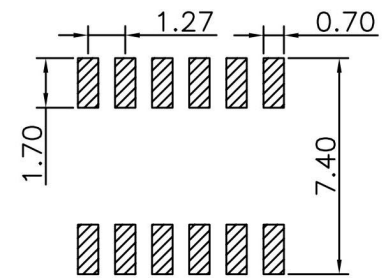
Dim.C	NOTE
4.00	03~25PIN
10.15	26~50PIN



Specifications
 Current Rating: 1Amp
 Insulation Resistance: 1000MΩMin.
 Dielectric Withstanding Voltage: 300VAC
 Contact Resistance: 20mΩMax.
 Operating Temperature: -40°C to +105°C
 Materials
 Contact Material: Phosphor Bronze
 Insulator Material: High Temperature Thermoplastic, UL 94V-0 LCP or the equivalent material



Recommended P.C.Board Layout
 (Tolerance: ± 0.05)



RoHS Compliant		HSM 玄茂科技股份有限公司 HSUAN MAO TECHNOLOGY CO., LTD.	
APPD. 核准	SCALE 比例 参考	GENERAL TOLERANCE	PART NAME 品名
DWG. 製圖 Betty		X'±5.0'	1.27X2.54mm FEMALE HEADER
DATE 制表日	UNIT 單位 MM	X'±3.0'	DUAL ROW H:5.8mm 2XXXP
2017/09/05	PAGE 張數 1 OF 1	X'±2.0'	SMT TYPE BLACK INSULATOR ROHS
		SIZE. 紙張尺寸 A4	PART NO.
		REV. 版次 B	料號 C4830-XXBDXHNXR