

1 2 3 4 5 6 7 8

A

CONTACTS	
2X3	2X22
2X4	2X23
2X5	2X24
2X6	2X25
2X7	2X26
2X8	2X27
2X9	2X28
2X10	2X29
2X11	2X30
2X12	2X31
2X13	2X32
2X14	2X33
2X15	2X34
2X16	2X35
2X17	2X36
2X18	2X37
2X19	2X38
2X20	2X39
2X21	2X40

B

C

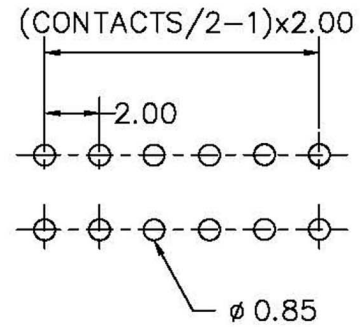
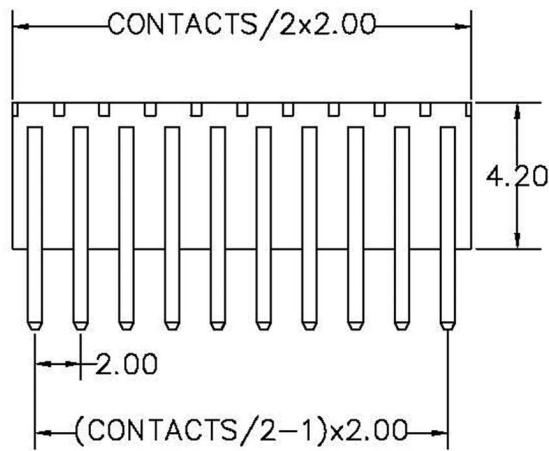
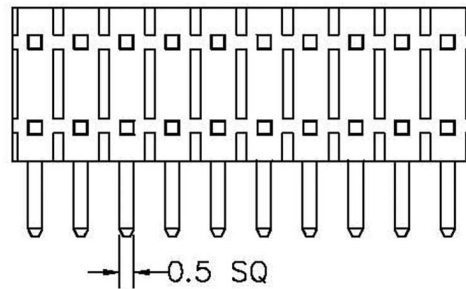
D

E

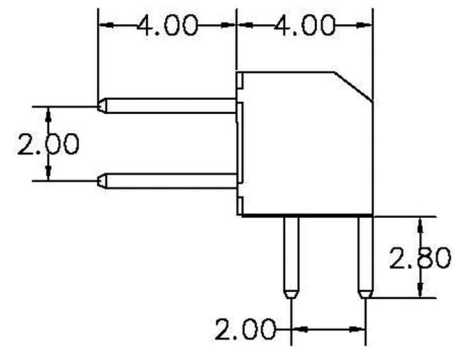
F

G

H



RECOMMENDED P.C.B LAYOUT



**MATERIAL**  
 HOUSING : THERMOPLASTIC UL94V-0  
 CONTACT : COPPER ALLOYS

**SPECIFICATION**  
 CURRENT: 3A  
 OPERATING TEMPERATURE: -55°C TO +105°C  
 CONTACT RESISTANCE : 20 MILLIOHMS MAX  
 INSULATION RESISTANCE : 1000 MEGAOHMS MIN  
 WITHSTANDING VOLTAGE : AC 1000V RMS

RoHS Compliant		<b>HSM</b> 玄茂科技股份有限公司 <b>HSUAN MAO TECHNOLOGY CO., LTD.</b>	
APPD. 核准 Helen	SCALE 比例 参考	TOLERANCE 容許公差 .0 ±0.38 .00 ±0.25 ANG. ±3°	PART NAME 品名 2.0X2.0mm PIN HEADER DUAL ROW H=4.2mm RIGHT ANGLE XXP (C=4.0 D=2.8) ROHS LOW-LEAD
DWG. 製圖 Yumi	UNIT 單位 M M	SIZE 紙張尺寸 A 4	PART NO. 料號 C6300-XXBRXARXR
DATE 制表日 2008/04/17	PAGE 張數 1 OF 1	REV. 版次 A	

1 2 3 4 5 6 7 8