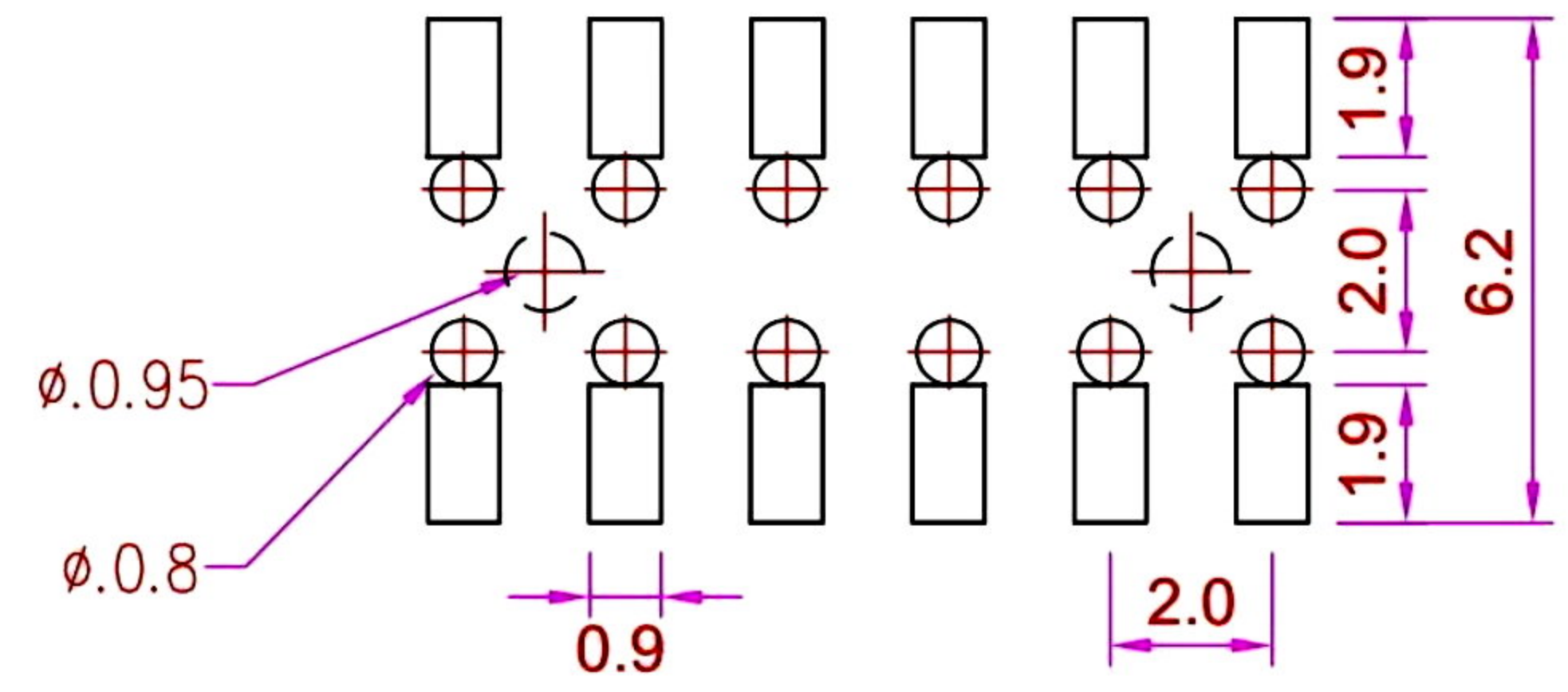
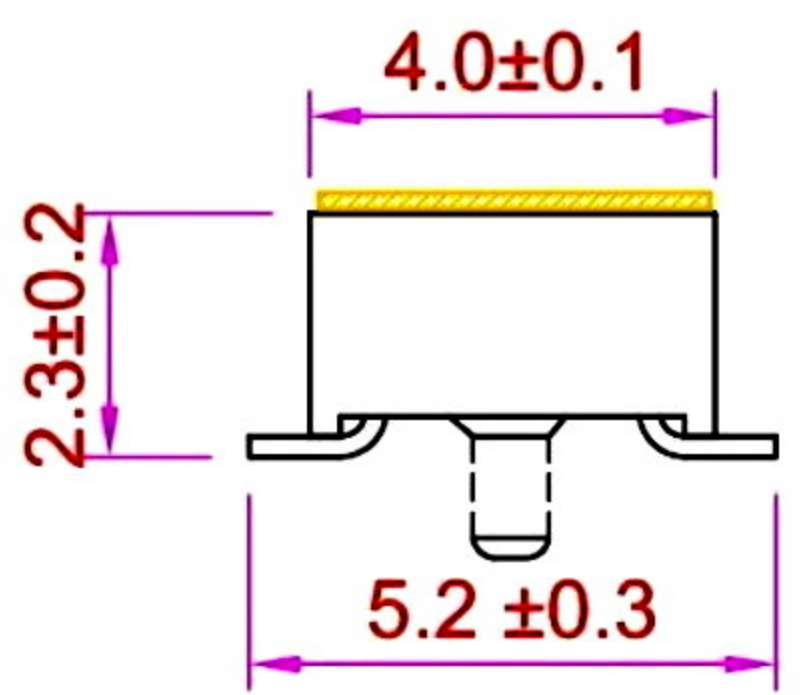


Recommended P.C. Board SMD Layout



- Specifications**
- Current Rating : 2 Amps
 - Insulator Resistance : 1000 Megohms min.
 - Contact Resistance : 20 m ohms max.
 - Dielectric Withstanding : AC 500V
 - Operating Temperature : -40°C ~ +125°C
 - Contact Material : Phosphor Bronze
 - Insulator Material : Polyester, UL 94V-0
 - Standard : Nylon-9T
 - Contact Plated : Standard:Full Gold Flash

Post Option
 N: W/O Peg
 Y: W/ Peg



RoHS Compliant		HSM 玄茂科技股份有限公司		HSUAN MAO TECHNOLOGY CO., LTD.	
APPD. 核准 HELEN	SCALE 比例 参考	TOLERANCE		PART NAME 品名	
DWG. 製圖 ABBY		X. ± 0.50	X. ° ± 5°	2.0x2.0mm FEMALE HEADER DUAL ROWS	
DATE 制表日 2023/10/24	UNIT 單位 MM	.X ± 0.20	.X ° ± 2°	SMT TYPE H=2.1mm(Contacts footprint width:5.2)	
	PAGE 張數 1 OF 1	.XX ± 0.10	.XX ° ± 1°	2XXX GOLD FLASH PLATING	
		SIZE. 紙張尺寸 A4	REV. 版次 D	INSULATOR MATERIAL: NYLON 9T ROHS	
		PART NO. 料號		C6809-XXBDGHXXB	