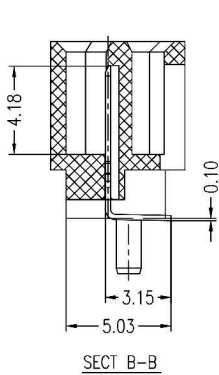
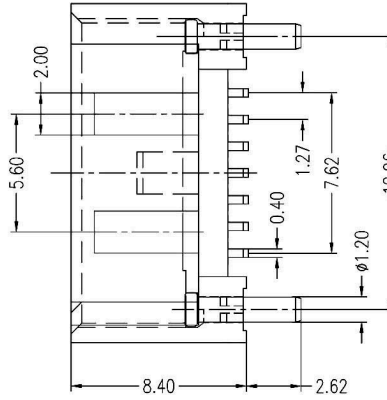
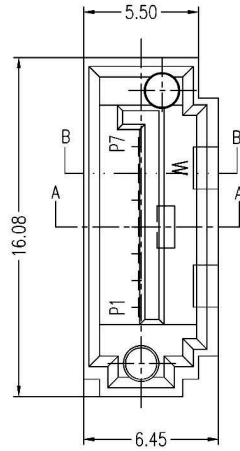
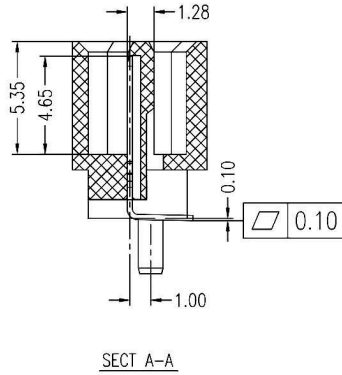


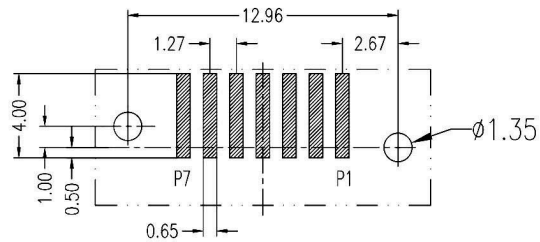
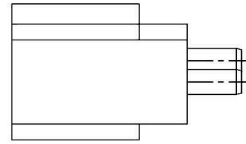
Signal Segment	
Name	Type
S1	GND
S2	A+
S3	A-
S4	GND
S5	B-
S6	B+
S7	GND



SECT B-B



SECT A-A



PCB LAYOUT
(T=1.60mm)

NOTES:

1. Material:

Housing: LCP, UL 94V-0 rated.
 Color: Black.
 Contact: Brass.
 Plating: Gold Plating over Nickel on Contact Area.
 Tin Plating on Solder Tail.
 Board Lock: Brass.
 Plating: Tin Plating over Nickel.

2. Mechanical:

Insertion Force: 45N Max.
 Withdrawal Force: 10N Min.
 Durability: 500 Cycles.

3. Electrical Specification:

Operation Voltage: 100VAC Max.
 Current Rating: 1.5 Ampere per Contact.
 Contact Resistance: 30mΩ Max.
 Insulation Resistance: 1000MΩ Min.
 Dielectric Withstanding Voltage: 500 VAC.

4. Environmental:

Operating Temperature: -55°C to +85°C

RoHS Compliant		HSM 玄茂科技股份有限公司 HSUAN MAO TECHNOLOGY CO., LTD.	
APPD. 核准		UNLESS OTHERWISE SPECIFIED DIMENSIONS ARE IN MM TOLERANCES ARE:	PART NAME 品名
DWG. 製圖	Betty	DECIMALS ANGLES .X ± .38 ± 3° .XX ± .25 .XXX ± .20	SATA CONNECTOR 7PIN MALE SMT STRAIGHT TYPE PLASTIC BODY(FULL SHROUNDED) WITH PLASTIC POST SELECTIVE GOLD 15U" PLATING MATERIAL:LCP BLACK COLOR TUBE PACKING ROHS
DATE 制表日	2018/03/21	SIZE. 紙張尺寸 A 4	PART NO.
		PAGE 張數 1 OF 1	料號 C7013-07MEBHBTR
		REV. 版次 A	