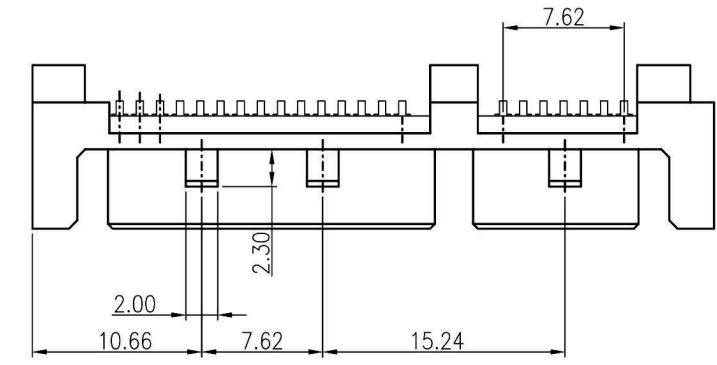


1 2 3 4 5 6 7 8

A



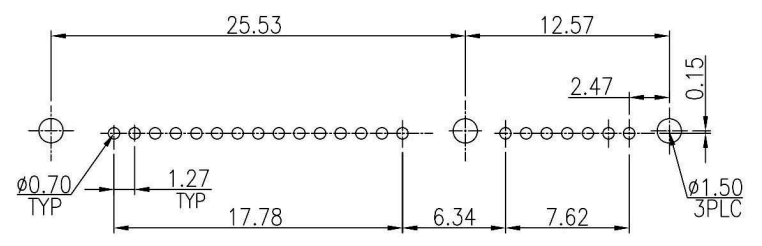
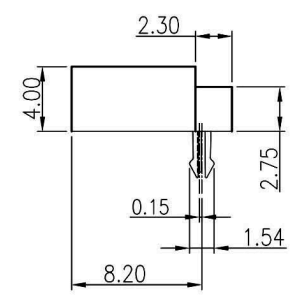
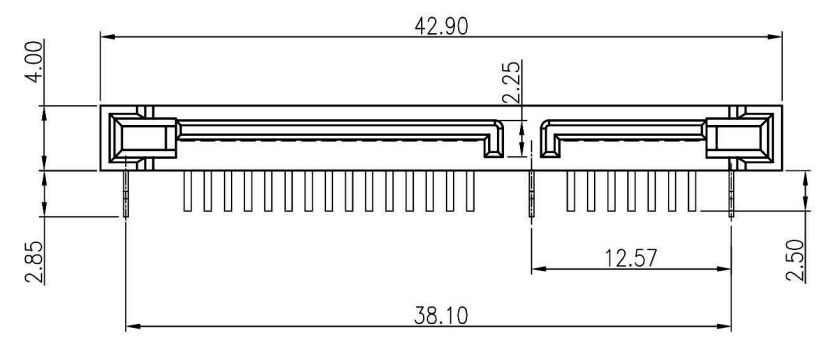
NOTES:
 1.MATERIAL:
 HOUSING:LCP G/F UL94 V-0
 COLOR:BLACK
 CONTACT:BRASS T=0.25mm
 BOARD LOCK:BRASS T=0.30mm
 2.FINISH:
 CONTACT:GOLD FLASH/TIN PLATING ON CONTACT AREA
 100u" MIN.TIN PLATING ON SOLDERTAILS
 50u" MIN.NICKEL UNDERPLATING OVER ALL
 BOARD LOCK:100u"MIN.TIN PLATING ON SOLDERTAILS
 50u"MIN.TIN NICKEL UNDERPLATING OVER ALL

A

B

C

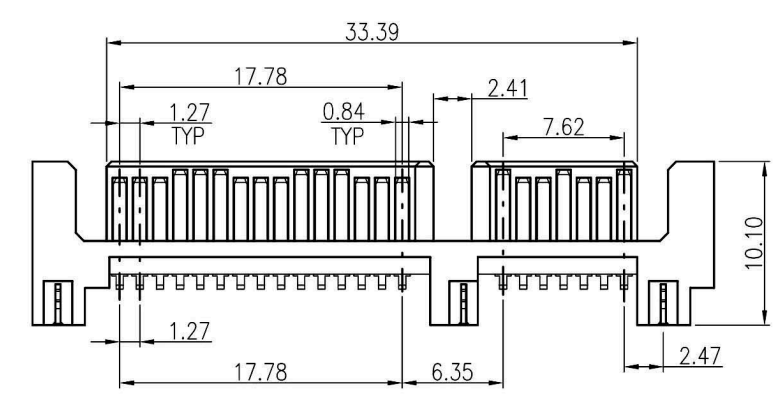
D



P C B Layout(T=1.6mm)
 RECOMMENDED PCB TOLERANCE:±0.05

E

F



APPD. 核准 Betty		RoHS Compliant	HSM 玄茂科技股份有限公司 HSUAN MAO TECHNOLOGY CO., LTD.	
DWG. 製圖 Betty	DATE 制表日 2023/06/16	SCALE 比例 參考	UNIT 單位 MM	PAGE 張數 1 OF 1
		tolerances linear angles .x ±0.38 x' ±5° .xx ±0.25 .x' ±2° .xxx ±0.15 .xx ±1°	PART NAME 品名 SATA CONNECTOR 7+15P MALE DIP RIGHT ANGLE TYPE PLASTIC BODY WITH BOARDLOCK POST SELECTIVE GOLD PLATING BLACK COLOR MATERIAL:LCP TRAY PACKING ROHS	
		SIZE 紙張尺寸 A 4	PART NO. 料號 C7017-22MRPSBHR	

1 2 3 4 5 6 7 8

H

H