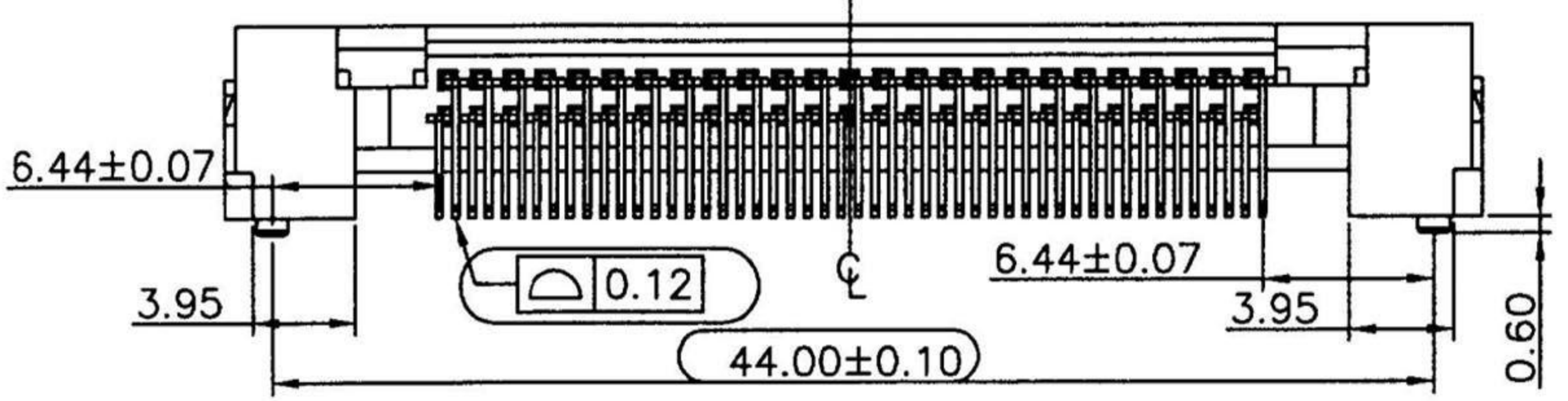
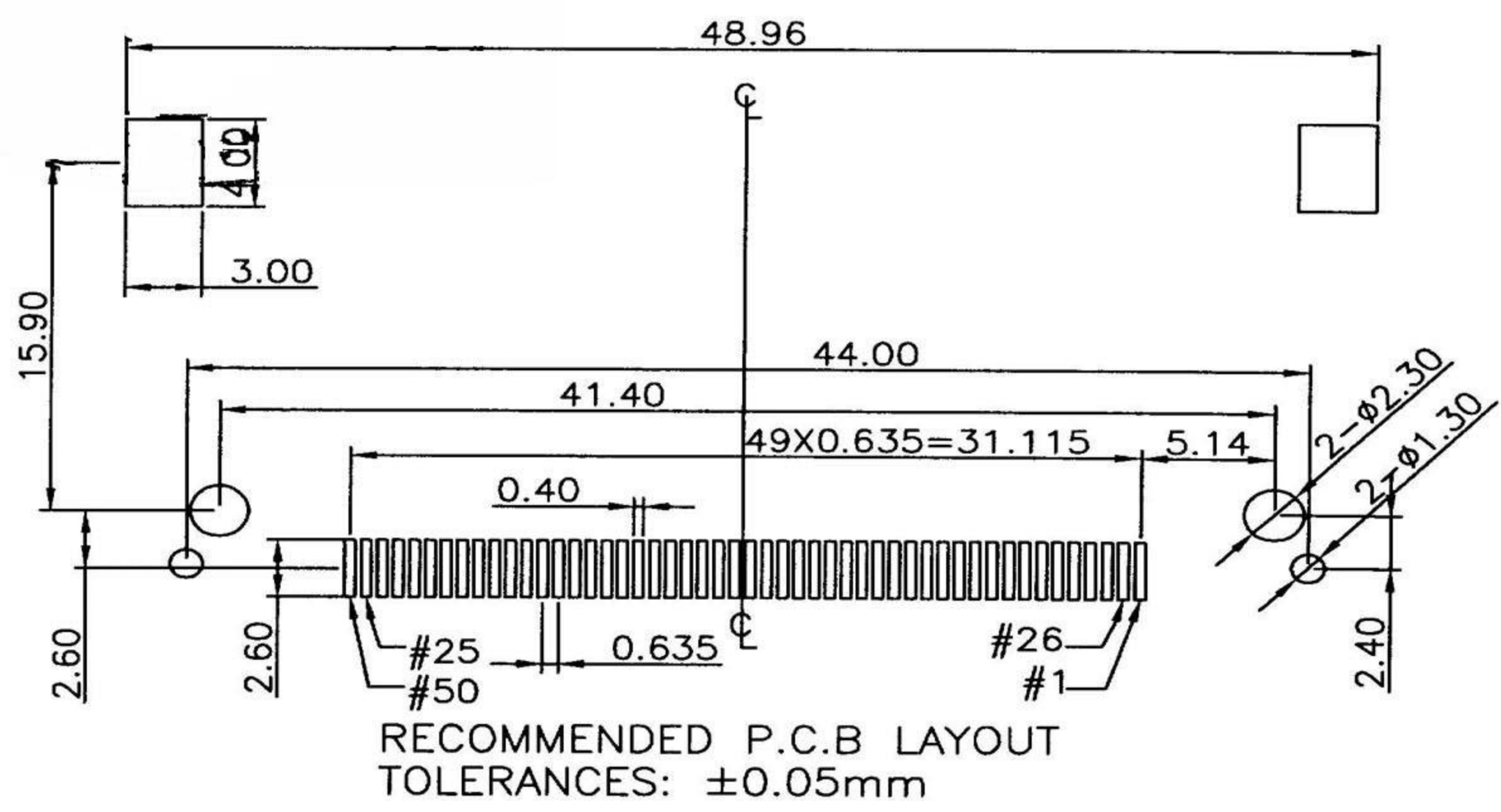
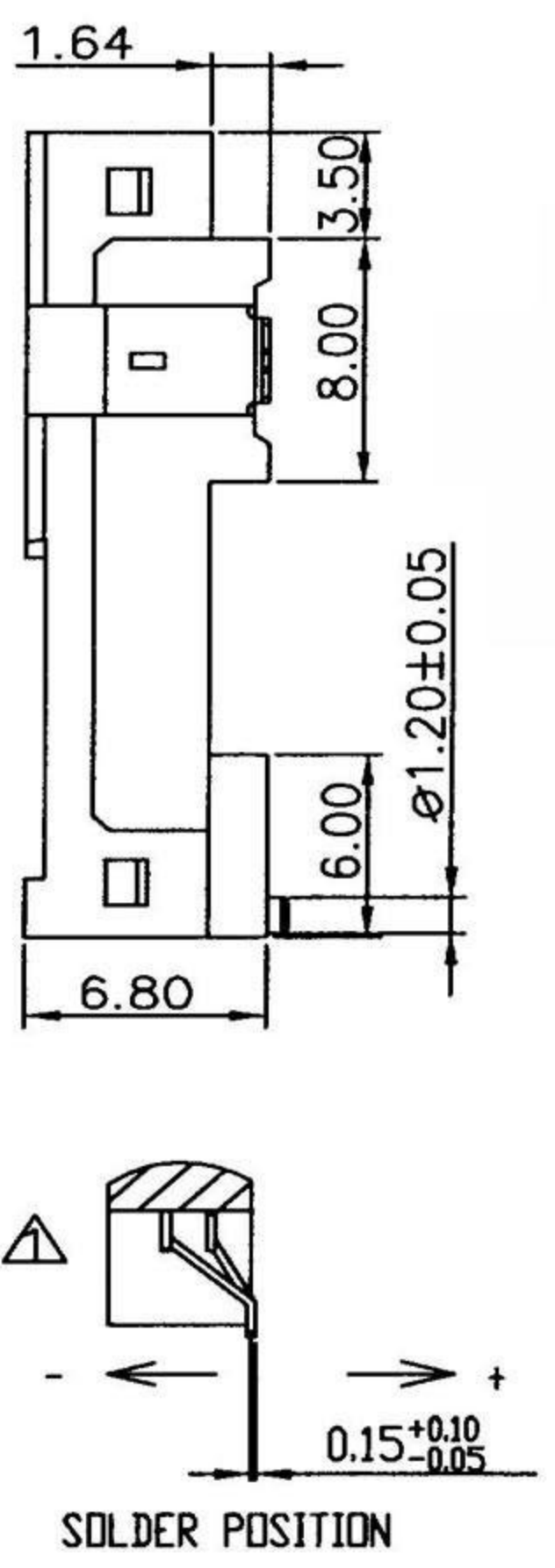
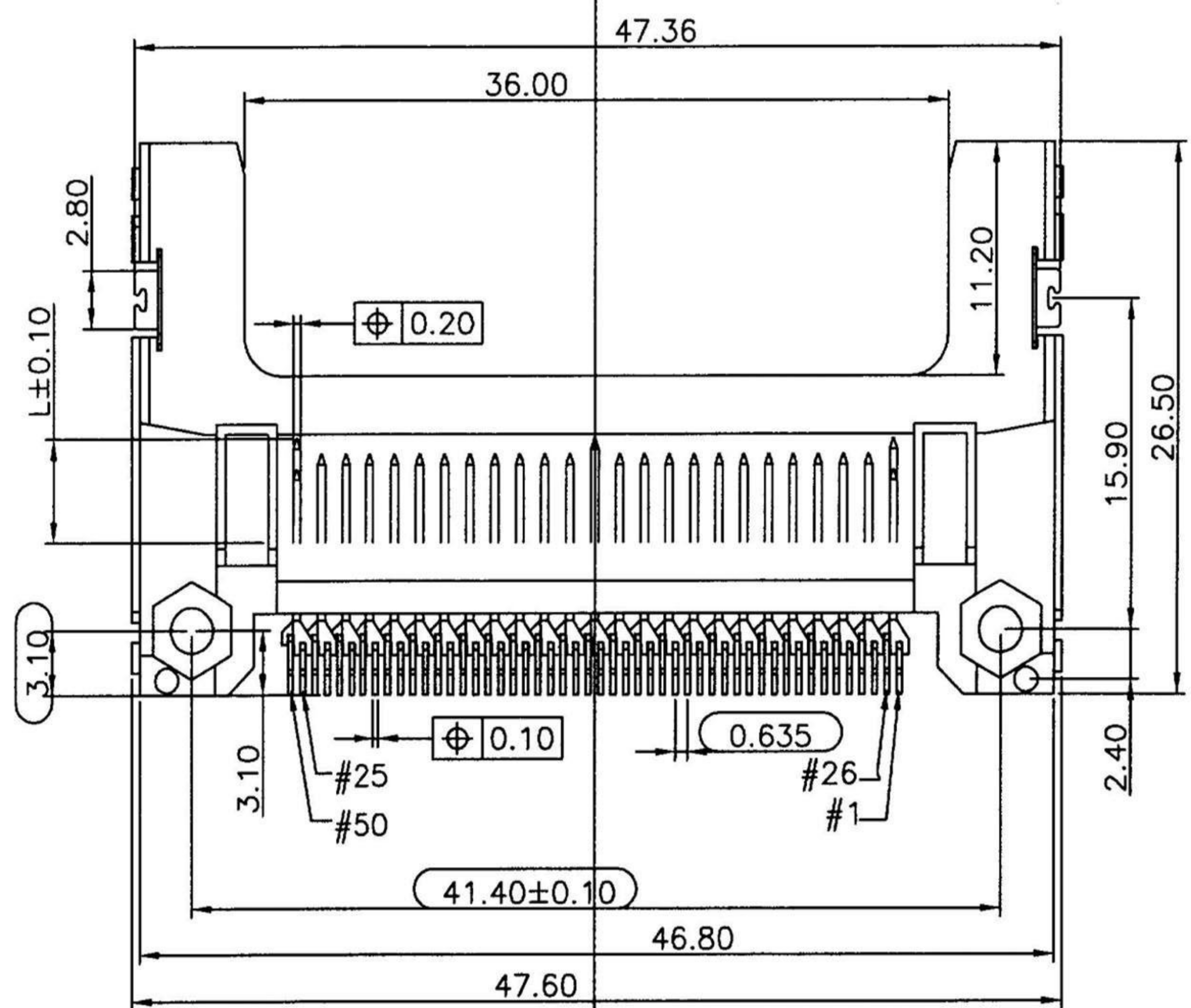


POWER	5.00mm	1,13,38,50
GENERAL	4.25mm	all other pins
DETECT	3.50mm	25,26
Pin type	Interface	Pin No.
	Dim. L	

**SPECIFICATION**  
**MATERIAL**  
 Insulator: Thermal Plastic UL94V-0  
 Contacts: Copper Alloy  
 Shell: Steel  
 Rivet, Boardlock: Copper Alloy  
**CONTACT PLATING**  
 Underplated: 50u"~100u" Nickel  
 Contact area: 1u"~30u" Selective Gold  
 Solder tails area: 100u"~200u" Tin/Lead Free(Brighten Tin/Matte Tin)  
 Rated Voltage: 35V/AC Max.



RoHS Compliant		<b>HSM</b> 玄茂科技股份有限公司 HSUAN MAO TECHNOLOGY CO., LTD.	
APPD. 核准 <b>BETTY</b>	TOLERANCE 容許公差 .0 ± .00 ± ANG. ±	PART NAME 品名 CF CARD SOCKET SMT TYPE1 50 MALE W/O NUTS WHITE ROHS LOW-LEAD	
DWG. 製圖 <b>KAREN</b>	SCALE 比例 參考 UNIT 單位 MM PAGE 張數 1 OF 1	SIZE 紙張尺寸 A4 REV. 版次 B	PART NO. 料號 C7753-50MBNXW0R
DATE 制表日 2012/08/27			