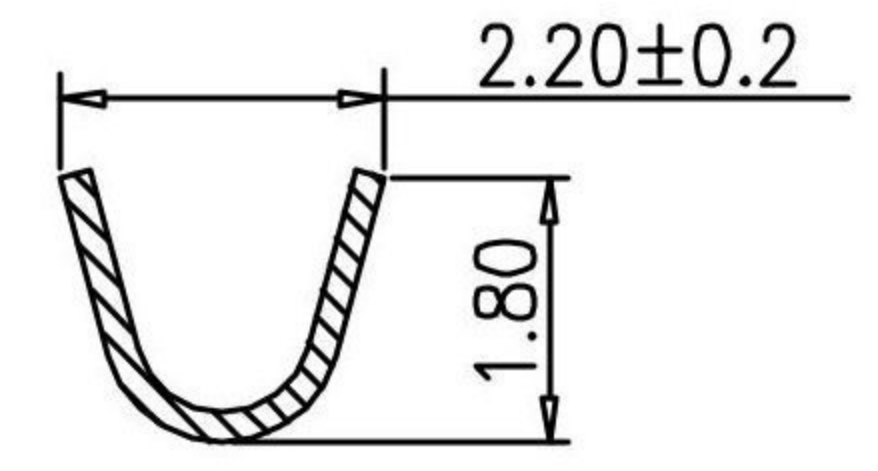


SCALE: B



SECTION A-A

1. SUITABLE WIRE: AWG#26

| 1 | TERMINAL | 1 | C5191-H 0.2T | Ni底30U''光泽Sn80U'' |
|-----|-----------|------|--------------|-------------------|
| P/N | PART NAME | Q'TY | MATERIAL | PLATING&COLOR |
| 1 | TERMINAL | 1 | C5191-H 0.2T | Ni底30U''光泽Sn80U'' |

| | | | |
|-------------------------------|-------------------|--|---|
| RoHS Compliant | | HSM 玄茂科技股份有限公司 HSUAN MAO TECHNOLOGY CO., LTD. | |
| APPD. 核准 HELEN | | TOLERANCE 容許公差 X :±0.2 X :±1' X.X:±0.1 X.X:±0.05' X.XX±0.05 | PART NAME 品名 MINIATURE CIRCULAR CONNECTORS CRIMPING TYPE TERMINALS PHOSPHOR BRONZE MATERIAL SUITABLE AWG26 ROHS |
| DWG. 製圖 ABBY | SCALE 比例 參考 | UNIT 單位 MM | PART NO. 料號 C8012-TPA600000R |
| DATE 制表日 2016/01/07 | PAGE 張數 1 OF 1 | REV. 版次 B | |