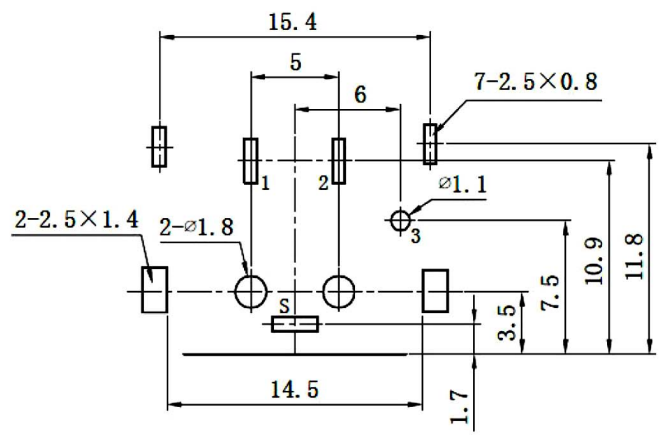


Circuit Diagram



P.C.B Layout

**Specification**  
 Ambient temperature: -25°C~+70°C  
 Relative humidity: 95%(40°C)  
 Rated voltage: 1&2:20V DC 7.5A MAX; 3:20V DC 1A  
 Contact resistance: ≤ 30mΩ  
 Insulation resistance: ≥ 100MΩ  
 Withstand voltage strength: 500V AC (50Hz) 1min  
 Insertion & Withdrawal force: 10~50N  
 Life Test : ≥ 5000 Cycles

NO.	NAME	Q'TY	MATERIAL	FINISH
7	Ring	1	H62 BRASS Y=0.35mm	D. Cu/Sn
6	Iron shell	1	H62 BRASS Y=0.35mm	D. Cu/Sn
5	Right long needle	1	H62 BRASS Y=0.28mm	D. Cu/Sn
4	Left short needle	1	H62 BRASS Y=0.28mm	D. Cu/Sn
3	Curved needle	1	H62 BRASS Y=0.35mm	D. Cu/Sn
2	Back cover	1	PBT	Black Color
1	Base	1	PBT	Black Color

RoHS  
Compliant

**HSM** 玄茂科技股份有限公司  
**HSUAN MAO TECHNOLOGY CO., LTD.**

APPD. 核准  
 DWG. 製圖  
 DATE 制表日  
 2018/09/07

SCALE 比例 參考  
 UNIT 單位 M M  
 PAGE 張數 1 OF 1

COMMON TOLERANCE:  
 XX ±0.10  
 XX ±0.15  
 X ±0.25  
 ANGULAR 33  
 SIZE 紙張尺寸 A 4  
 REV. 版次 A

PART NAME 品名  
 POWER DIN JACK 3P WITH FULLY SHIELDED  
 WITH KINK FOOT FLAT PIN TIN PLATING  
 MATERIAL : PBT BLACK INSULATOR ROHS

PART NO.  
 料號 C8023-03FBFTB0R

A  
B  
C  
D  
E  
F  
G  
H

A  
B  
C  
D  
E  
F  
G  
H

1 2 3 4 5 6 7 8

1 2 3 4 5 6 7 8