

1 2 3 4 5 6 7 8

A

B

C

D

E

F

G

H

A

B

C

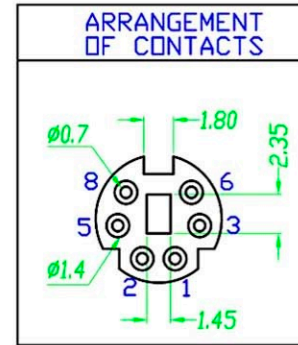
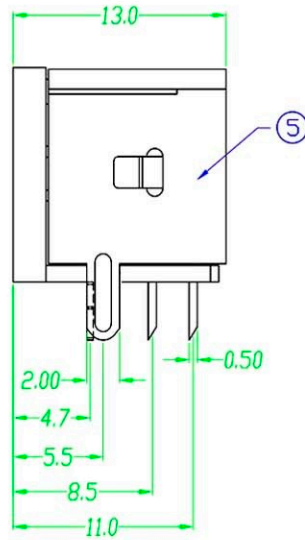
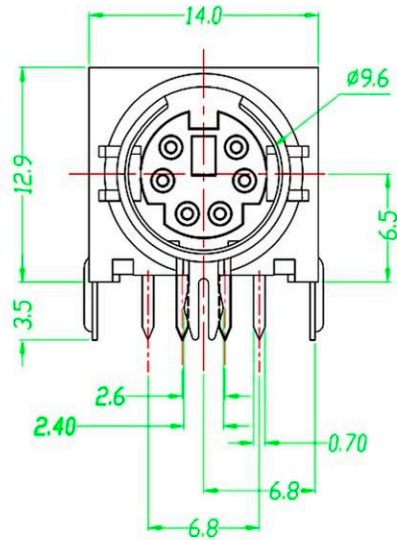
D

E

F

G

H



Specification:

Contact Resistance: 30m Ohm Max.

Insulation Resistance: 100M Ohm Min. AT 500V DC

Rated Voltage And Current: DC12V.2A Max; AC 100V.1A Max

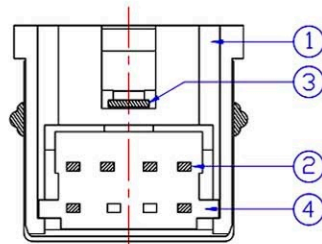
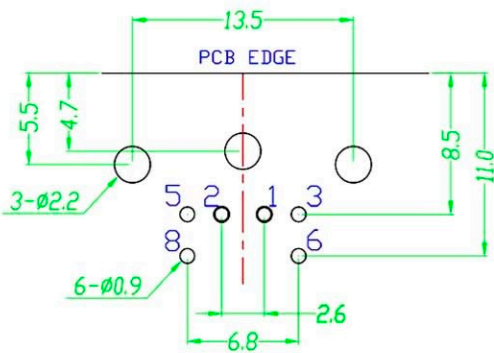
Dielectric Withstanding Voltage: 250V AC For 1 Minute

Durability (Life Test): 100 Cycles

Insertion Force: 4.0KG Maximum. Operating Temp: -25°C ~ +70°C

Extraction Force: 0.9KG Minimum.

Operating Temp: -25°C ~ +70°C



PCB LAYOUT (BOTTOM VIEW)

NO.	NAME	MATERIAL	FINISH	Q'TY	REMARK
1	HOUSING	PBT G.F.	BLACK	1	
2	CONTACT TERM.	PHOS. BRONZE T:0.2	GOLD-TIN PLATED	6	Gold:1~3u'; Ni:40~60u'; TIN:120u' (100% pure Tin of lead free plating)
3	GROUND TERM.	BRASS T:0.4	TIN PLATED	1	TIN:120~200u'
4	BOTTOM COVER	PBT G.F.	BLACK	1	
5	SHELL	SPCC. T:0.3	NICKEL PLATED	1	Ni:80~120u'

RoHS Compliant **HSM** 玄茂科技股份有限公司 **HSUAN MAO TECHNOLOGY CO., LTD.**

APPD. 核准 Betty		TOLERANCE X. ±0.38 .X ±0.25 .XX ±0.13 .XXX ±0.05	PART NAME 品名 MINI DIN JACK 6P W/O FULLY SHIELDED HOOK TYPE SELECTIVE GOLD PLATING BLACK ROHS
DWG. 製圖 Lena		SCALE 比例 參考	
DATE 制表日 2020/3/6	UNIT 單位 MM	SIZE 紙張尺寸 A4	PART NO. 料號 C8102-06NHSB00R
	PAGE 張數 1 OF 1	REV. 版本 B	

1 2 3 4 5 6 7 8