

1 2 3 4 5 6 7 8

A

B

C

D

E

F

G

H

A

B

C

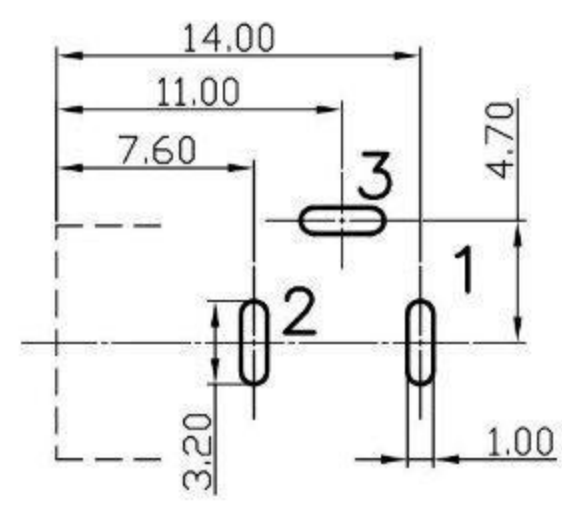
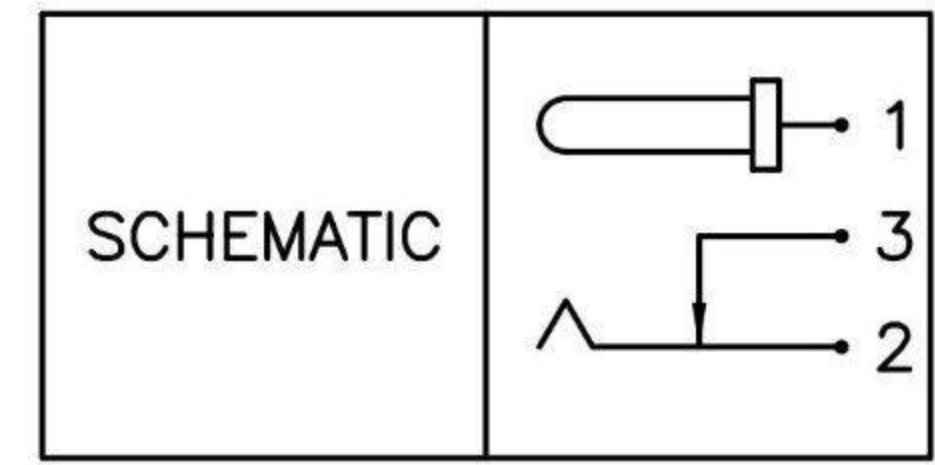
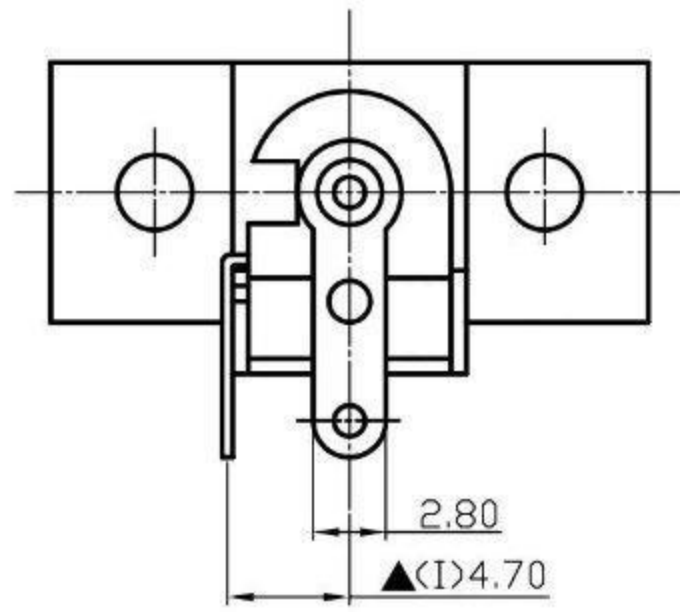
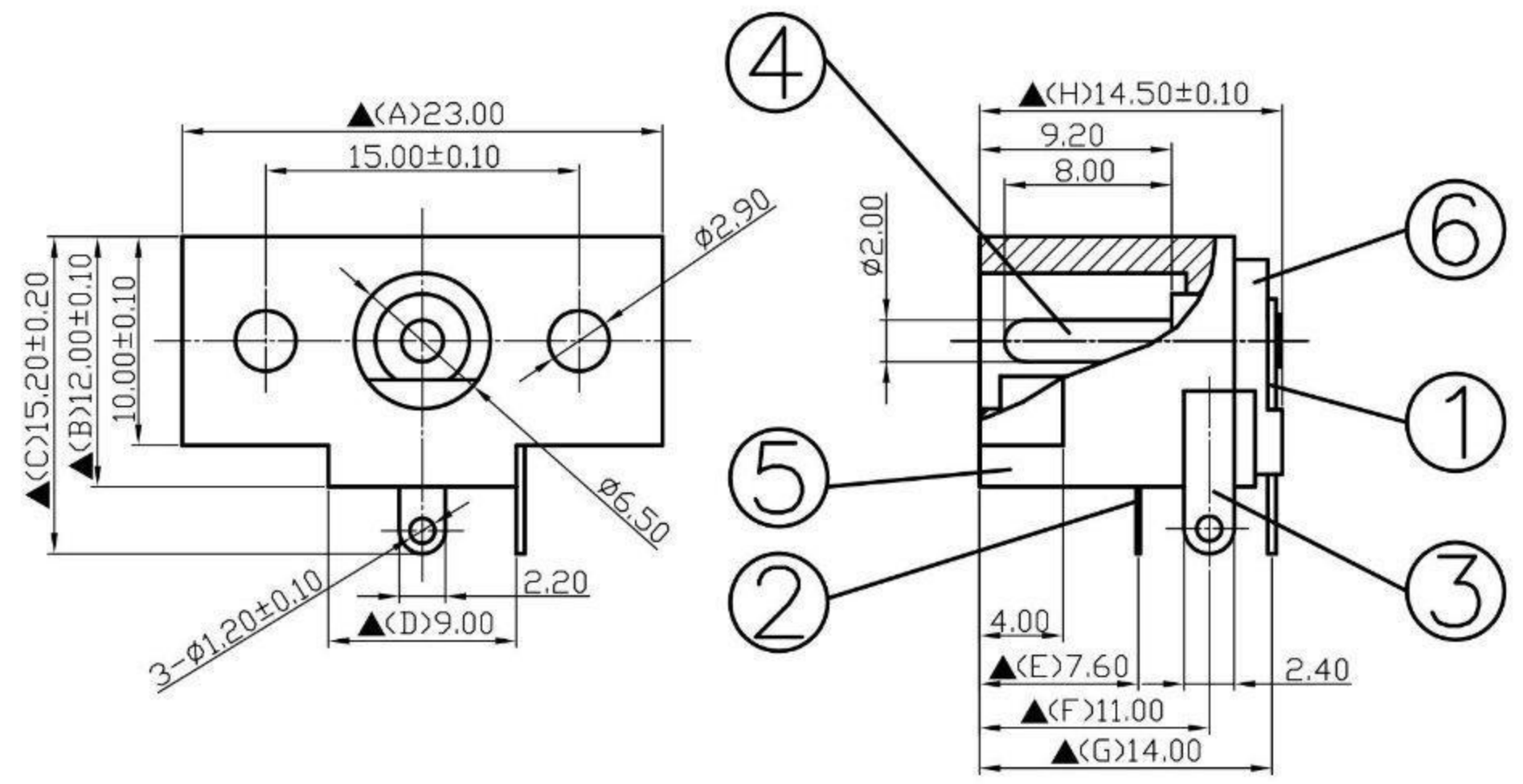
D

E

F

G

H



Pin Hole Layout
(Jack Bottom View)

SPECIFICATIONS:

- Contact Resistance : 30mΩ max
- Current Rating : Max 2.0A , 16V DC
- Insulation Resistance : 100MΩ min. at DC 500V
- Dielectric Withstanding Voltage: AC 500V for one minute
- Remark: ▲: The Most Important Dimension

6	Cover	PBT+30%GF	1	Black Color
5	Housing	PBT+30%GF	1	Black Color
4	Pin(2.0φ)	Copper	1	Nickel Plated
3	Break Terminal	0.4T Brass	1	Silver Plated
2	Sleeve Spring	0.2T Phosphor Bronze	1	Silver Plated
1	Pin Terminal	0.4T Brass	1	Silver Plated
NO	Descripcion	Material	Q'TY	Finish

RoHS
Compliant

HSM 玄茂科技股份有限公司
HSUAN MAO TECHNOLOGY CO., LTD.

APPD. 核准 BETTY
DWG. 製圖 KAREN
DATE 制表日 2012/04/26

TOLERANCE 容許公差 ±0.3
SCALE 比例 參考
UNIT 單位 MM
PAGE 張數 1 OF 1
REV. 版本 A

PART NAME 品名
DC POWER JACK φ2.0mm NORMAL CLOSE
SLIVER PLATING BLACK BLACK ROHS
PART NO.
料號 C8110-CCVB0000R

1 2 3 4 5 6 7 8