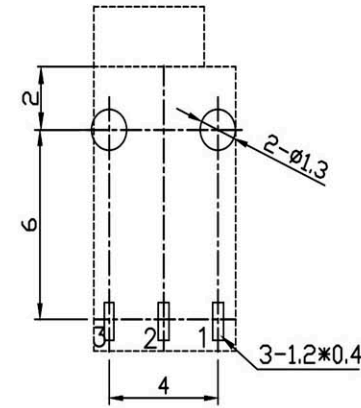
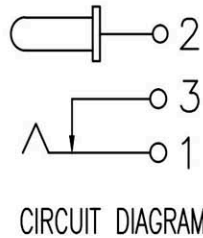
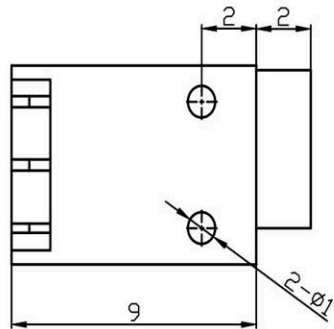


NO.	E	A
X	φ1.0	φ1.3



P.C.B Layout Dimension(Tolerance:±0.1)
(Recommend min.Dimension)(Bottom View)



SPECIFICATION

- Rating : DC 30V 0.5A;
- Contact resistance: $\leq 0.03 \Omega$;
- Insulation resistance: $\geq 100M \Omega$ (DC250V);
- Withstand voltage: 500VAC ;
- Insertion and extraction force: 3-20N;
- life test: 5,000 cycles.

4	HOUSING	1	PPA	
3	CURVE PIECE	1	BRASS	t=0.25 Ag-Plated
2	PIN	1	BRASS	t=0.25 Ag-Plated
1	SPRING	1	PHOSPHOR BRONZE	t=0.20 Ag-Plated
LTR	PART NAME	QTY	MATERIAL(THICK.COLOR)	REMARK

RoHS Compliant **HSM 玄茂科技股份有限公司**
HSUAN MAO TECHNOLOGY CO., LTD.

APPD. 核准	SCALE 比例 参考	TOLERANCE 容許公差 0 ± 0.35 .00 ± 0.25 ANG. ± 3°	PART NAME 品名
DWG. 製圖 Helen	UNIT 單位 MM	SIZE 紙張尺寸 A4	DC POWER JACK PIN : (1.0mm OR 1.3mm) NORMAL CLOSE TYPE FLAT PIN NICKEL PLATED BLACK COLOR ROHS
DATE 制表日 2020/11/13	PAGE 張數 1 OF 1	REV. 版本 B	PART NO. 料號 C8116-XCNB0000R