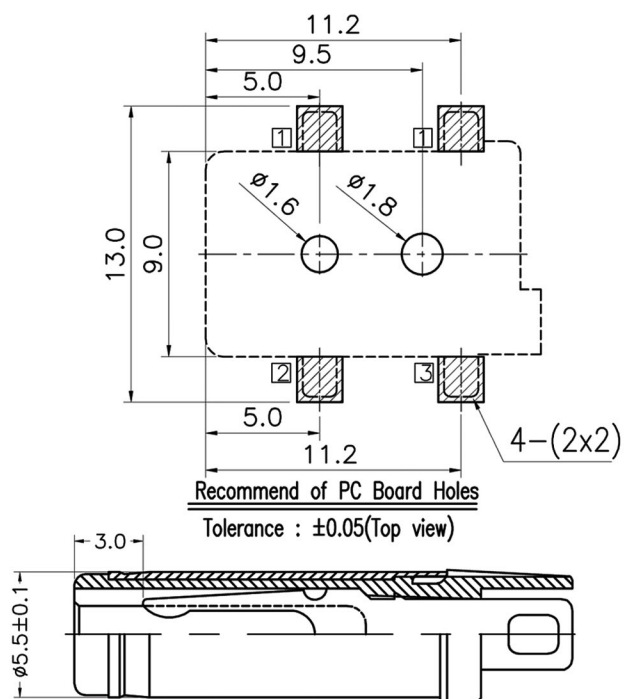
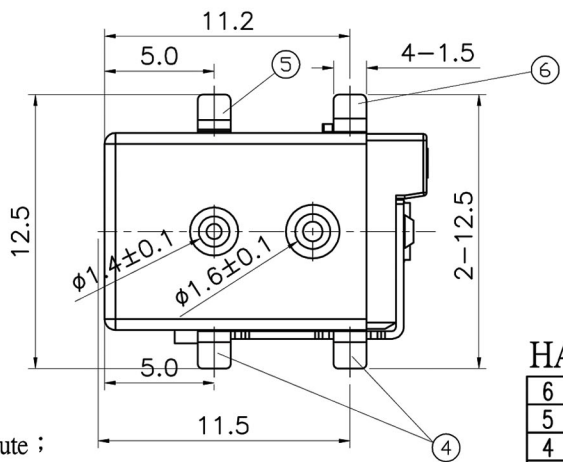


SCHEMATIC	
C8118-CCNB0000U	$\phi 2.0$
C8118-DCNB0000U	$\phi 2.5$



- Notes:
- Electrical Characteristics:
 - Rating : DC 20 V 5 A ;
 - Contact Resistance: 30mΩ Max.(Initial),
Between plug and contact 100mΩ Max;
(Final) After Life test: ≤60mΩ ;
 - Dielectric Withstanding Voltage: 500V AC for One Minute ;
 - Insulation Resistance: 100MΩ Min. Measured By 500 VDC;
 - Mechanical Characteristics:
 - Plug Insertion Force 0.3~3.0Kgf (initial),
0.3~3.0Kgf (Final) life test;
 - Plug Extraction Force: 0.3~3.0Kgf (initial),
0.3~3.0Kgf (Final) life test;
 - Durability Test: 5,000 Cycles min;
 - Operating temperature:-25°C ~ +85°C;
 - Soldering Heat Resistance IR Reflow Soldering 260°C;
 - Plug Interface Dimensions Conform To EIAJ RC-5321 Spec;
 - Packaging: Tape Reel;

DC MATEING PLUG-REF

HALOGEN FREE

6	SHUN TERMINAL	1	C2680	t=0.40	MB:Ni30u" Ag6u" PLATED
5	TIP SPRING	1	C5210	t=0.30	MB:Ni30u" Ag6u" PLATED
4	CENTER PIN TERMINAL	1	C2680	t=0.40	MB:Ni30u" Ag6u" PLATED
3	CENTER PIN	1	COPPER ALLOY(H65)		Ni30u" PLATED
2	COVER	1	PA10T		UL-94V0(BLACK)
1	HOUSING	1	PA10T		UL-94V0(BLACK)
LTR	PART NAME	QTY	MATERIAL		REMARK

RoHS Compliant **HSM 玄茂科技股份有限公司**
HSUAN MAO TECHNOLOGY CO., LTD.

APPD. 核准		TOLERANCE X.X ±0.25 X' ±3'	PART NAME 品名 DC POWER JACK SMT TYPE ΦX.Xmm NORMAL CLOSE NICKEL PLATING BLACK INSULATOR PA10T HALOGEN FREE REEL PACKING ROHS
DWG. 製圖	Hedy	SCALE 比例 參考 X.XX ±0.20 X' ±1' X.XXX ±0.15	
DATE 制表日 2023/01/03	UNIT 單位 MM	SIZE 紙張尺寸 A 4	PART NO. 料號 C8118-XCNB0000U
	PAGE 張數 1 / 1	REV. 版次 B	