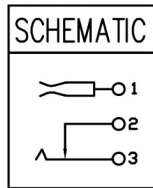


Recommend of PC Board Holes
Tolerance : ±0.05(Top view)

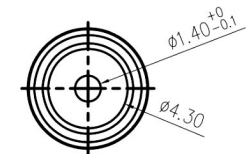
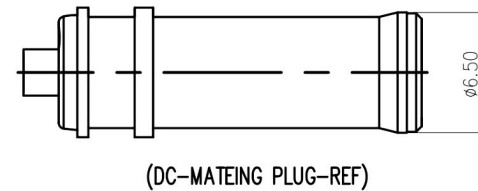
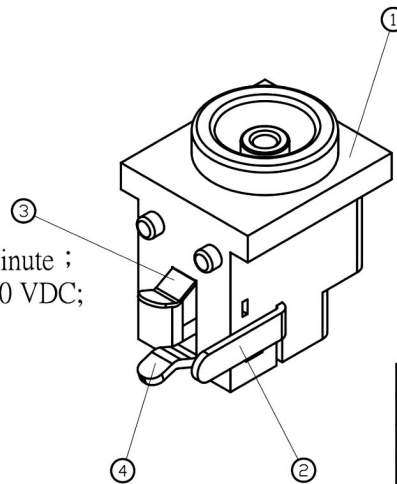


Notes:

- Electrical Characteristics:
 - Rating : DC18V, 2A ;
 - Contact Resistance: 50mΩ Max.(Initial), 100mΩ Max.(Final) After test: ≤50mΩ ;
 - Dielectric Withstanding Voltage: 500V AC for One Minute ;
 - Insulation Resistance: 100MΩ Min. Measured By 500 VDC;

- Mechanical Characteristics:
 - Plug Insertion Force 0.3~2.0Kgf (initial), 0.3~2.0Kgf (Final) life test;
 - Plug Extraction Force: 0.3~2.0Kgf (initial), 0.3~2.0Kgf (Final) life test;

- Durability Test: 5,000 Cycles min;
- Operating temperature:-25°C ~ +70°C;
- Soldering Heat Resistance Wave Soldering 230°C;
- Plug Interface Dimensions Conform To EIAJ RC-5321 Spec;
- Packaging: Plastic Bag;



4	CONTACT FOOT	1	C2680	t=0.60	MB:Ni Ag	PLATED
3	SPRING	1	C5191	t=0.30	MB:Ni Ag	PLATED
2	CURVE PIECE	1	C2680	t=0.50	MB:Ni Ag	PLATED
1	HOUSING	1	PA66		UL-94V0(BLACK)	
LTR	PART NAME	QTY	MATERIAL	REMARK		

RoHS Compliant **HSM 玄茂科技股份有限公司**
HSUAN MAO TECHNOLOGY CO., LTD.

APPD. 核准 HELEN	SCALE 比例 参考	TOLERANCE 容許公差 .0 ± .00 ± ANG. ±	PART NAME 品名 DC POWER JACK RIGHT ANGLE TYPE PINφ1.45mm NORMAL CLOSE TYPE WITH LOCATING PEG KINK FOOTSILVER PLATING BLACK INSULATOR
DWG. 製圖 ABBY	UNIT 單位 MM	SIZE 紙張尺寸 A 4	PART NO. C8137-BCVBY000R
DATE 制表日 2018/02/08	PAGE 張數 1 OF 1	REV. 版次 B	料號