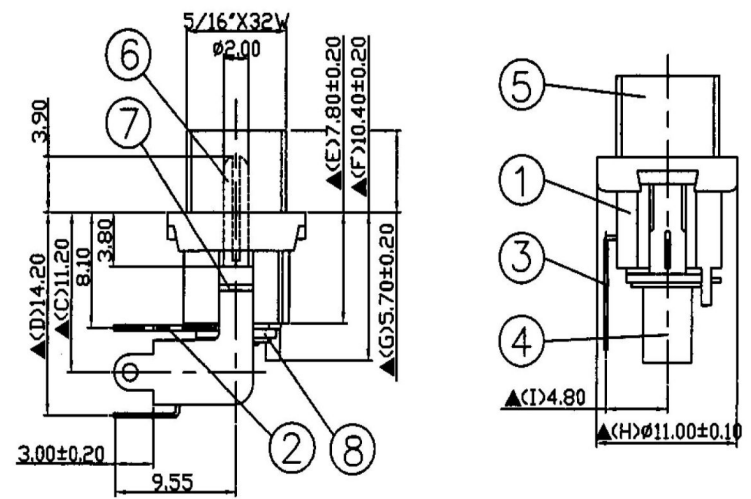
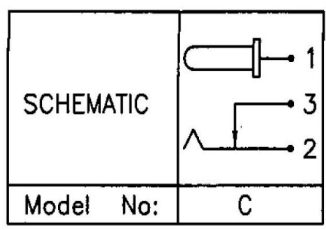
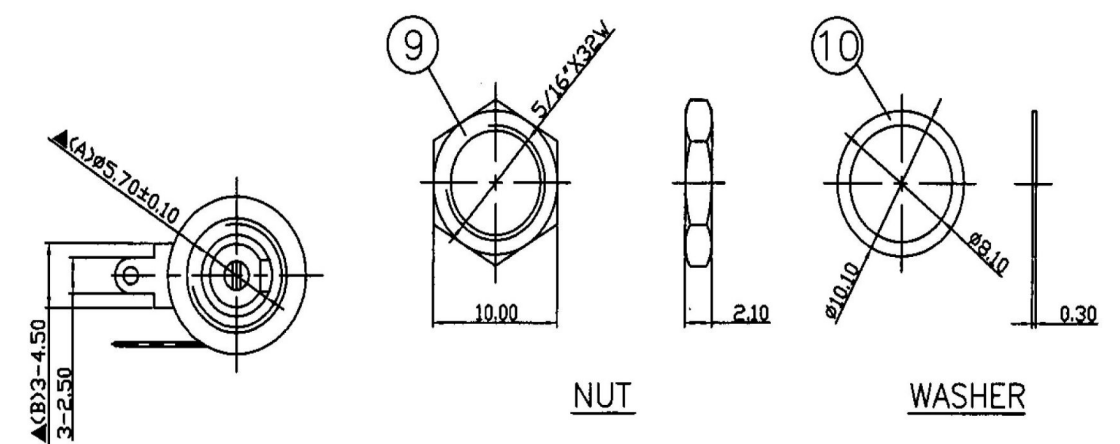


1 2 3 4 5 6 7 8

A
B
C
D
E
F
G
H

A
B
C
D
E
F
G
H



10.	Washer	0.3T Brass	1	Nickel Plated
9.	Nut	2.1T Brass	1	Nickel Plated
8.	Insulator B	Red Vulcanited Fibre	1	Red Color
7.	Insulator A	Red Vulcanited Fibre	1	Red Color
6.	Pin(2.0φ)	Copper	1	Nickel Plated
5.	Bushing	Brass	1	Nickel Plated
4.	Pin Terminal	0.3T Brass	1	Silver Plated
3.	Break Terminal	0.3T Brass	1	Silver Plated
2.	Sleeve Spring	0.4T Phosphor Bronze	1	Silver Plated
1.	Housing	PBT	1	Black Color
NO.	Description	Material	Q'TY	Finish

SPECIFICATIONS:
 Contact Resistance : 30mΩ max
 Insulation Resistance : 100MΩ min. at DC 500V
 Dielectric Withstand Voltage : AC 500V for one minute
 Remark: ▲: The Most Important Dimension
 TOLERANCE : ±0.3mm

RoHS Compliant	HSM 玄茂科技股份有限公司 HSUAN MAO TECHNOLOGY CO., LTD.	
APPD. 核准 Betty	SCALE 比例 参考	TOLERANCE 容許公差 0 ± .00 ± ANG. ±
DWG. 製圖 Yumi	UNIT 單位 M M	SIZE. 紙張尺寸 A 4
DATE 制表日 2010/01/07	PAGE 張數 1 OF 1	REV. 版次 A
PART NAME 品名 DC POWER JACK RIGHT ANGLE TYPE PINφ2.0mm NORMAL CLOSE TYPE FLAT TYPE WITH THREAD SILVER PLATING BLACK INSULATOR WITH NUT & WITH WASHER		PART NO. 料號 C8139-CCYVBY00R

1 2 3 4 5 6 7 8