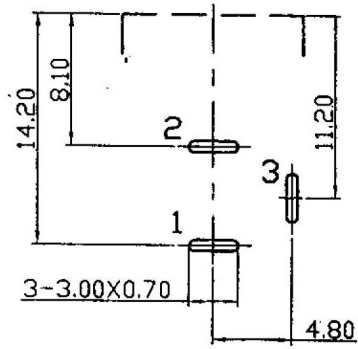
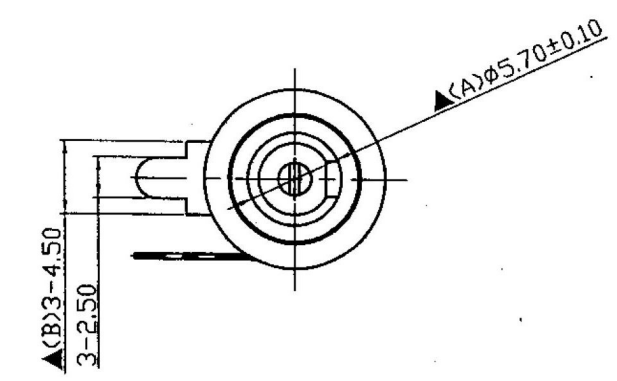


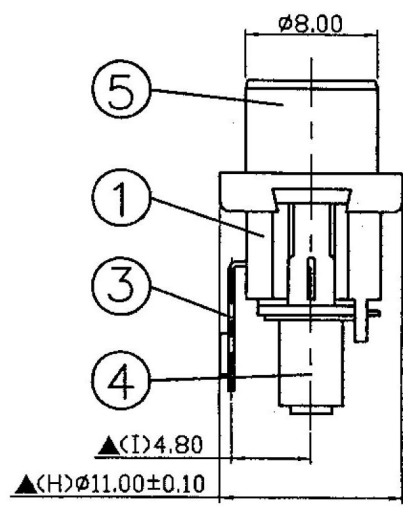
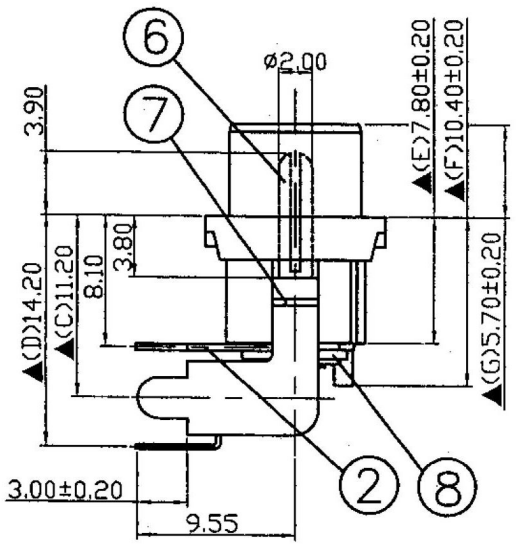
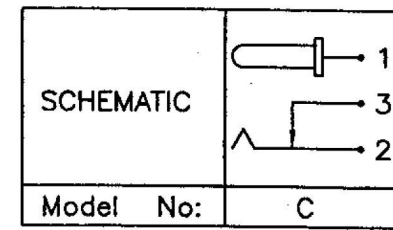
1 2 3 4 5 6 7 8

A
B
C
D
E
F
G
H

A
B
C
D
E
F
G
H



Pin Hole Layout
(Jack Bottom View)



NO.	Description	Material	Q'TY	Finish
8.	Insulator B	Red Vulcanited Fibre	1	Red Color
7.	Insulator A	Red Vulcanited Fibre	1	Red Color
6.	Pin(2.0φ)	Copper	1	Nickel Plated
5.	Bushing	Brass	1	Nickel Plated
4.	Pin Terminal	0.3T Brass	1	Silver Plated
3.	Break Terminal	0.3T Brass	1	Silver Plated
2.	Sleeve Spring	0.4T Phosphor Bronze	1	Silver Plated
1.	Housing	PBT	1	Black Color

SPECIFICATIONS:
 Contact Resistance : 30mΩ max
 Insulation Resistance : 100MΩ min. at DC 500V
 Dielectric Withstand Voltage : AC 500V for one minute
 Remark: ▲: The Most Important Dimension
 TOLERANCE : ±0.3mm

RoHS Compliant		HSM 玄茂科技股份有限公司 HSUAN MAO TECHNOLOGY CO., LTD.	
APPD. 核准 Betty		TOLERANCE 容許公差 .0 ± .00 ± ANG. ±	PART NAME 品名 DC POWER JACK RIGHT ANGLE TYPE PINφ2.0mm NORMAL CLOSE TYPE FLAT TYPE WITHOUT THREAD SILVER PLATING BLACK INSULATOR WITHOUT NUT & WITHOUT WASHER
DWG. 製圖 Yumi	SCALE 比例 參考 UNIT 單位 M M PAGE 張數 1 OF 1	SIZE 紙張尺寸 A 4 REV. 版次 A	PART NO. 料號 C8141-CCFNBNOR
DATE 制表日 2010/01/07			

1 2 3 4 5 6 7 8