

A

B

C

D

E

F

G

H

A

B

C

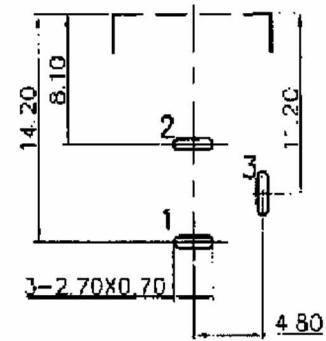
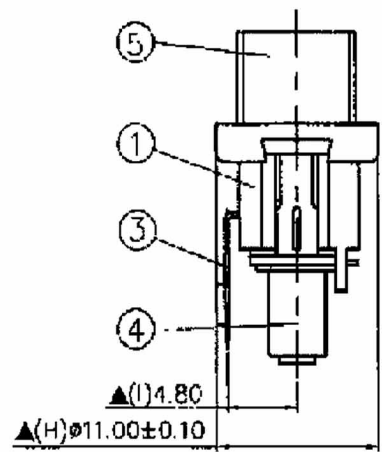
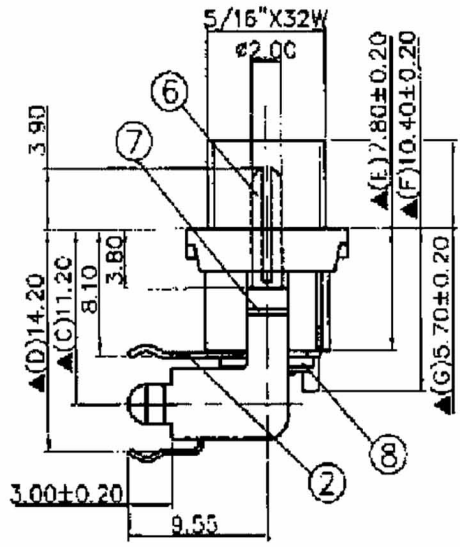
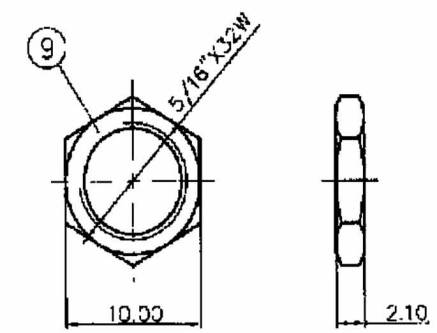
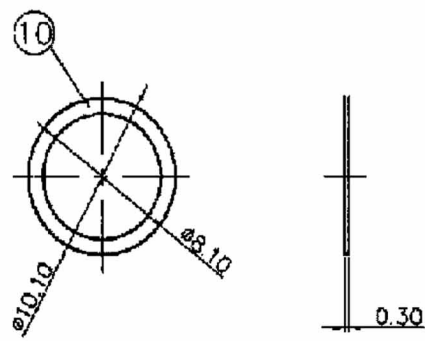
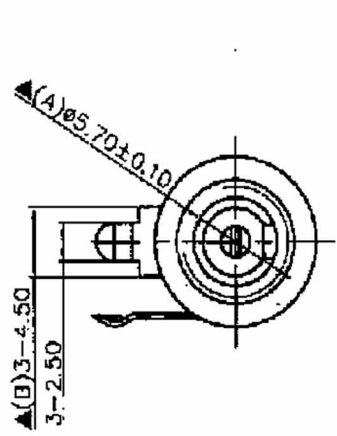
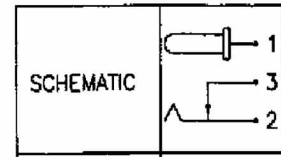
D

E

F

G

H



NO.	Description	Material	Q'TY	Finish
10.	Washer	0.3T Steel	1	Nickel Plated
9.	Nut	2.1T Brass	1	Nickel Plated
8.	Insulator B	Red Vulcanited Fibre	1	Red Color
7.	Insulator A	Red Vulcanited Fibre	1	Red Color
6.	Pin(2.0φ)	Brass	1	Nickel Plated
5.	Bushing	Brass	1	Nickel Plated
4.	Pin Terminal	0.3T Brass	1	Silver Plated
3.	Break Terminal	0.3T Brass	1	Silver Plated
2.	Sleeve Spring	0.4T Phosphor Bronze	1	Silver Plated
1.	Housing	PBT	1	Black Color

**SPECIFICATIONS:**

Contact Resistance : 30mΩ max  
 Current Rating : Max 5.0A , 24V DC  
 Insulation Resistance : 100MΩ min. at DC 500V  
 Dielectric Withstanding Voltage: AC 500V for one minute  
 Remark: ▲: The Most Important Dimension

RoHS  
Compliant

**HSM** 玄茂科技股份有限公司  
**HSUAN MAO TECHNOLOGY CO., LTD.**

APPD. 核准 Betty  
 DWG. 製圖 Betty  
 DATE 制表日 2013/03/18

SCALE 比例 參考  
 UNIT 單位 M M  
 PAGE 張數 1 OF 1

TOLERANCE 容許公差  
 .0 ± 0.30  
 .00 ± 0.20  
 ANG. ± 3°  
 SIZE. 紙張尺寸 A 4  
 REV. 版次 B  
 PART NAME 品名 DC POWER JACK RIGHT ANGLE TYPE PINφ2.0mm NORMAL CLOSE TYPE KINK TYPE WITH THREAD SILVER PLATING BLACK INSULATOR WITH NUT & WITH WASHER ROHS  
 PART NO. 料號 C8141-CCKYVBY0R