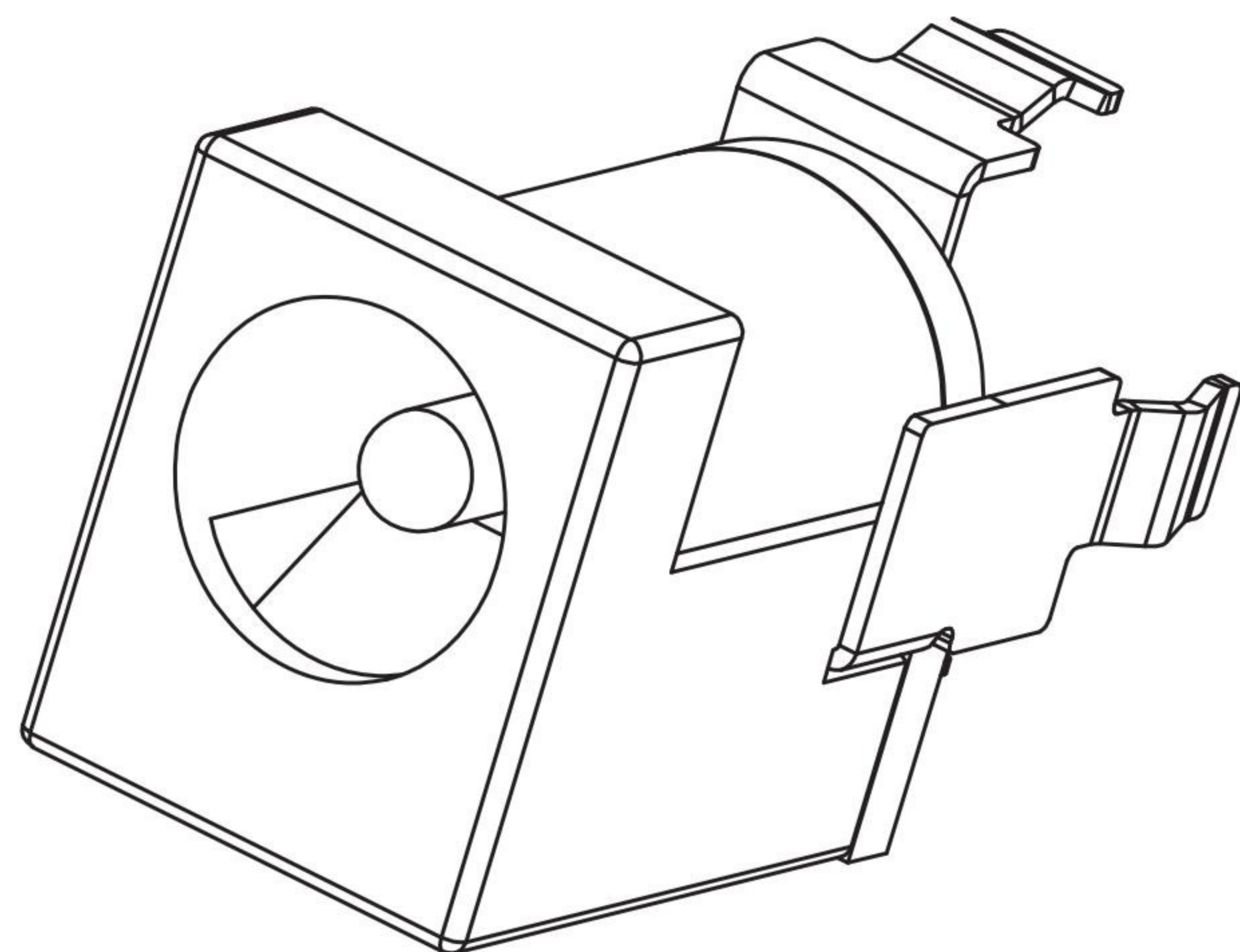


T:1.6 Dimensions of PC board holes  
Tolerance:  $\pm 0.05$  (Printed-top view)



6	COVER	1	PF	
5	HOUSING	1	PBT 4815	UL-94V0(BLACK)
4	PIN	1	H59	Ni PLATED
3	CONTACT FOOT	1	C2680	t=0.35 Sn PLATED
2	SPRING	1	C5191	t=0.25 Sn PLATED
1	FLAT PIECE	1	C2680	t=0.35 Sn PLATED
LTR	PART NAME	QTY	MATERIAL	REMARK

P/N	PIN	SCHEMATIC
C8143-CCKTB000R	$\phi 2.0$	
C8143-DCKTB000R	$\phi 2.5$	

RoHS  
Compliant

**HSM** 玄茂科技股份有限公司  
**HSUAN MAO TECHNOLOGY CO., LTD.**

APPD. 核准 <b>HELEN</b>		TOLERANCE 容許公差 0 ± .00 ± ANG ±	PART NAME 品名 DC POWER JACK STRAIGHT TYPE PIN $\phi 2.0$ mm OR $\phi 2.5$ mm NORMAL CLOSE SOLDER TAIL: KINK TYPE TIN PLATED BLACK INSULATOR ROHS
DWG. 製圖 <b>ABBY</b>	SCALE 比例 參考	UNIT 單位 MM	PART NO. 料號 <b>C8143-XCKTB000R</b>
DATE 制表日 <b>2017/05/25</b>	PAGE 張數 1 OF 1	REV. 版次 A	

UNLESS OTHERWISE SPECIFIED, TOLERANCE ON DECIMAL:  $\pm 0.3$