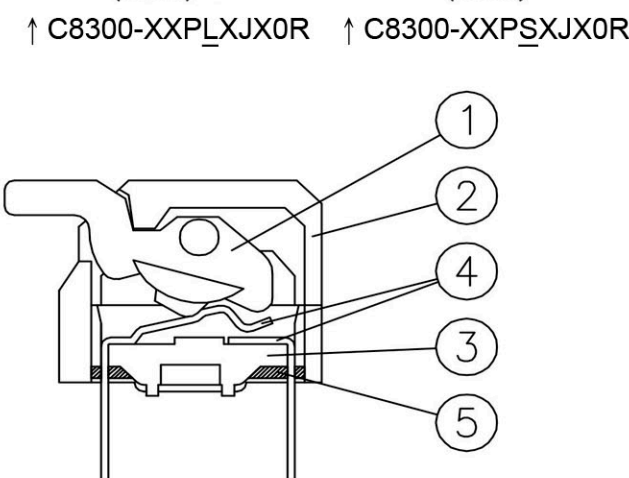
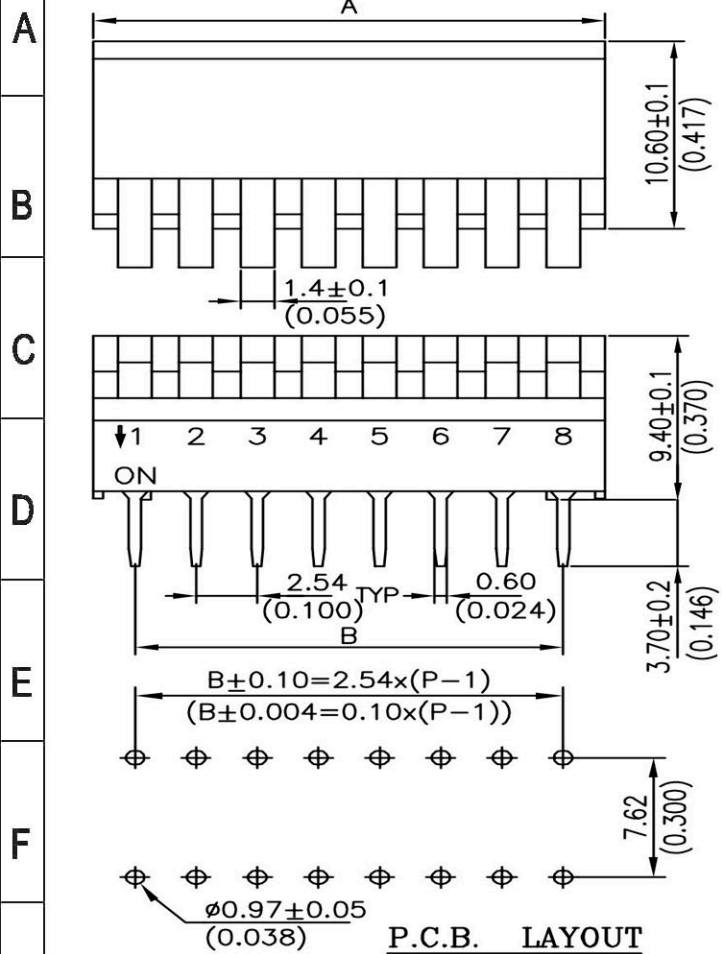
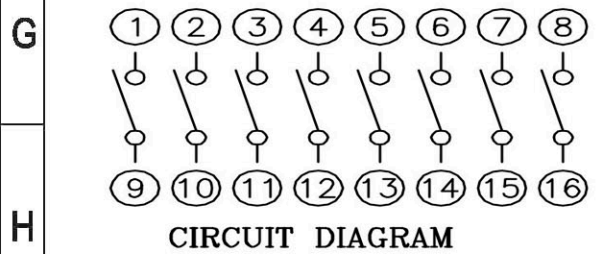


DIMENSION:(UNIT:mm/inches)



NO.OF POS	DIM.A	DIM.B
03	9.15(0.360)	5.08(0.200)
04	11.34(0.446)	7.62(0.300)
05	13.88(0.546)	10.16(0.400)
06	16.42(0.646)	12.70(0.500)
08	21.50(0.846)	17.78(0.700)
10	26.58(1.046)	22.86(0.900)
12	31.66(1.246)	27.94(1.100)

ITEM	DES	MATERIALS	TREATMENT
1	ACTUATOR	UL94V-0 PBT THERMOPLASTIC	WHITE
2	COVER	UL94V-0 PBT THERMOPLASTIC	BLUE, RED.BLACK
3	BASE	UL94V-0 PBT THERMOPLASTIC	BLACK
4	TERMINAL	PHOSPHOR BRONZE	GOLD PLATING
5	POTTING	EXPOXY	BLACK



RoHS Compliant

HSM 玄茂科技股份有限公司
HSUAN MAO TECHNOLOGY CO., LTD.

APPD. 核准	SCALE 比例 参考	TOLERANCE 容許公差 0 ± 0.35 .00 ± 0.25 ANG. ± 3°	PART NAME 品名 DIP SWITCH PIANO TYPE XXP (LONG OR SHORT KEY) GOLD 3U" ROHS
DWG. 製圖 Helen	UNIT 單位 MM	SIZE 紙張尺寸 A4	PART NO. 料號 C8300-XXP(L,S)XJX0R
DATE 制表日 2016/11/3	PAGE 張數 1 OF 1	REV. 版本 B	