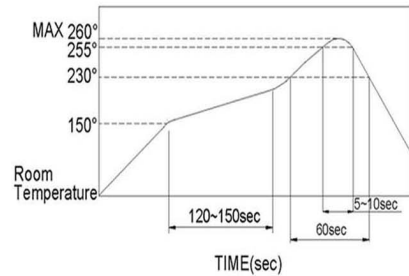


SOLDERING PROCESS

△CLEANING:

1. Only Tape sealed types apply to wash process.
 2. Do not remove the tape before wash process.
 3. After soldering process, do not continue the wash process immediately. Please wait for at least 3 minutes.
 4. Apply alcoholic solvents as cleaning agent do not use other solvents or water.
 5. Ultrasonic cleaning is not recommended.
 6. The cleaning process per stage is max. 1 minute and the whole cleaning time are not to exceed 3 minutes.
 7. Do not impose any external force on switch while washing.
- △ Any flux enters the switch may fail the conductivity.

△Reflow Temperature Profile: (reference)



SPECIFICATION

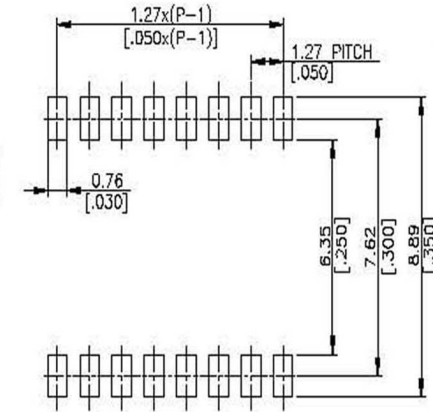
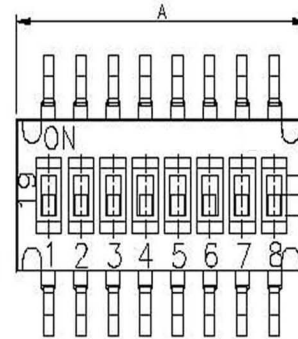
Mechanical Life	Operation Force	Stroke	Operation Temperature	Storage Temperature
1000 cycles	500 gf	0.6mm	-40°C to +85°C	-40°C to +85°C

ELECTRICAL

Electrical Life	Non-Switching Rating	Switching Rating	Contact Resistance	Insulation Resistance	Dielectric Strength	Circuit
1000 Cycles	100 mA ,50VDC	25mA, 24VDC	100mΩ max. at initial	100MΩ min. (at 500VDC)	300VAC/ 1minute	SPST

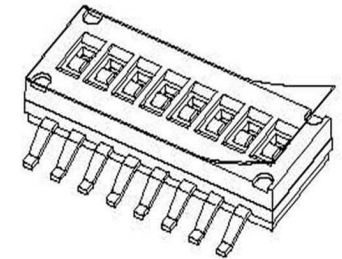
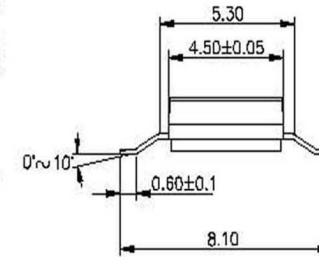
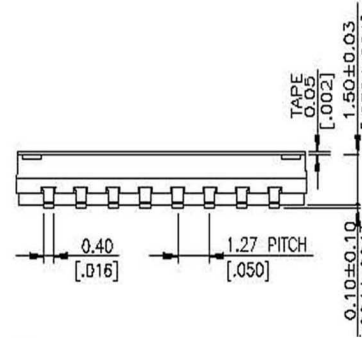
MATERIAL

- △ Base : UL 94V-0 Nylon High – Temp. Thermoplastic
- Color : Black
- △ Cover : UL 94V-0 Nylon High – Temp. Thermoplastic
- Color : Black
- △ Actuators : LCP High – Temp. Thermoplastic
- Color : White
- △ Contact : Alloy Copper With Gold Plated
- △ Terminal : Brass With Gold Plated
- △ Tape : KAPTON



2	3.77 [.148]
4	6.31 [.248]
6	8.85 [.348]
8	11.39 [.448]
10	13.93 [.548]
NO. OF POS	DIM A

P.C.B LAYOUT



GENERAL TOLERANCES MAX:±0.2mm.**

RoHS Compliant		HSM 玄茂科技股份有限公司 HSUAN MAO TECHNOLOGY CO., LTD.	
APPD. 核准 Angel	SCALE 比例 参考	TOLERANCE 容許公差 .0 ± .00 ± ANG. ±	PART NAME 品名 1.27mm DIP SWITCH SMT TYPE XXP SHORT KEY GOLD 3U" PLATING TERMINAL LENGTH:8.1mmROHS
DWG. 製圖 Yumi	UNIT 單位 M M	SIZE. 紙張尺寸 A 4	PART NO. 料號 C8308-XXSXJXBBR
DATE 製表日 2009/03/06	PAGE 張數 1 OF 1	REV. 版次 A	