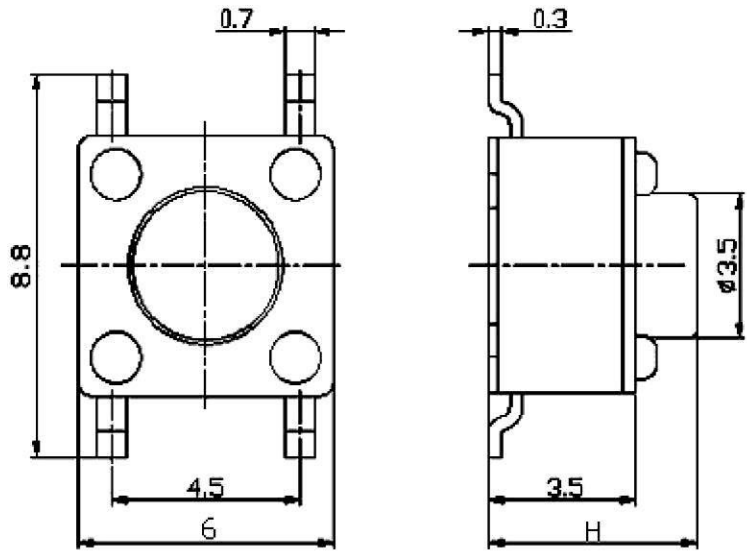


1 2 3 4 5 6 7 8

A

A



RATING: DC12V 50mA  
 WITHSTAND VOLTAGE: AC250V(50Hz)/min  
 CONTACT RESISTANCE: 100mΩ max  
 INSULATION RESISTANCE: 100MΩ min  
 TRAVEL TO CLOSURE: 0.25±0.1mm  
 OPERATION FORCE: 160gf±50gf 250gf±50gf  
 LIFE TEST: 100,000 cycles

B

B

B

C

C

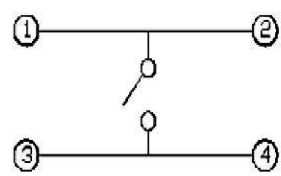
D

D

H=4.3, 5, 6, 7, 8, 9.5

E

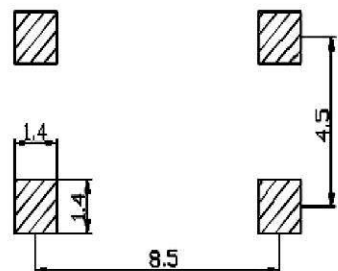
E



5	TERMINAL	BRASS	4	Ag-PLATED
4	SPRING	PHOSPHOR BRONZE	1	
3	HOUSING	PA66	1	BLACK
2	COVER	SPCC	1	Ni-PLATED
1	KNOB	PA66	1	BLACK
NO.	DESCRIPTION	MATERIAL	QTY.	PLATED

F

F



RoHS Compliant **HSM** 玄茂科技股份有限公司  
**HSUAN MAO TECHNOLOGY CO., LTD.**

G

G

APPD. 核准 <b>BETTY</b>	 TOLERANCE X±0.1 XX±0.05 SCALE 比例 参考 UNIT 單位 M M SIZE 紙張尺寸 A 4 PAGE 張數 1 OF 1 REV. 版本 A	PART NAME 品名 TACT SWITCH SMT TYPE PORD. SIZE: 6X6mm PITCH: 8.8mm BLACK COLOR REEL PACKING ROHS PART NO. 料號 C8310-XD(B,C)BR000R
DWG. 製圖 <b>KAREN</b>		
DATE 制表日 2012/09/27		

H

H

1 2 3 4 5 6 7 8