

1 2 3 4 5 6 7 8

A

B

C

D

E

F

G

H

A

B

C

D

E

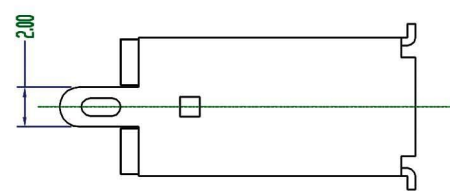
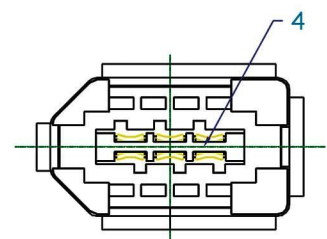
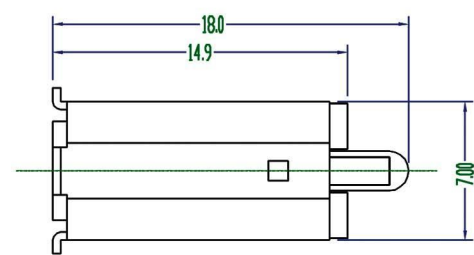
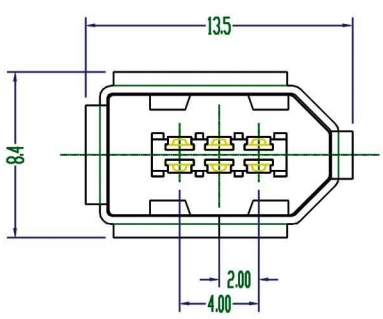
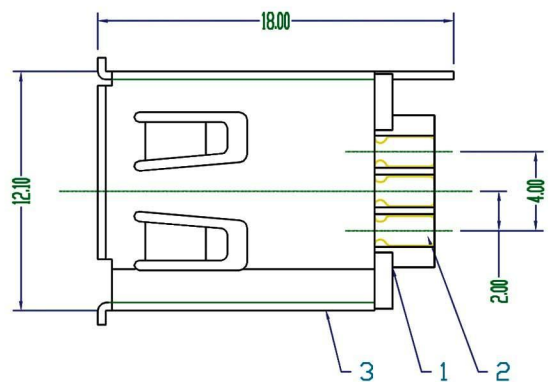
F

G

H

NOTES:

- MATERIAL SPECIFICATION:
  - INSULATION MATERIAL: THERMOPLASTIC (UL94V-0)
  - SHELL: SD-SPCC COVER: COPPER ALLOY  
PLATING: NICKEL OR TIN PLATED;
  - TERMINAL: COPPER ALLOY  
PLATING: GOLD/TIN PLATED;
- ELECTRICAL CHARACTERISTIC:
  - VOLTAGE CURRENT RATING: 1AMP, 30V DC;
  - INSULATION RESISTANCE: 100MΩ MIN;
  - CONTACT RESISTANCE: 50mΩ MAX;
  - WITHSTANDING VOLTAGE: 100V AC;



C 8324 — 06 F S S B 0 0 R

- |                               |   |                                 |                    |
|-------------------------------|---|---------------------------------|--------------------|
| 1. PRODUCTS:<br>C: Connector  | 5. SOLDER TYPE:<br>S: Straight                                      | 7. INSULATOR COLOR:<br>B: Black | 8. FILL IT WITH*0* |
| 2. SERIES NO.:<br>8324        | 6. CONTACT PLATING:<br>T: Tin<br>S: Selective Gold<br>G: Gold Flash |                                 | 9. FILL IT WITH*0* |
| 3. CONTACT NO.:<br>04, 06     |   |                                 | 10. R: ROHS        |
| 4. CONTACT TYPE:<br>F: Female |   |                                 |                    |

NO.	NAME	MATERIAL	FINISH	Q'TY
1	HOUSING	PBT.30%G.L	BLACK	1
2	PIN	PHOS.BRONZE	GOLD-TINPLATED	6
3	SHELL	BRASS	NICLEL PLATED	1
4	HOUSING	PBT.30%G.L	BLACK	1

**RoHS Compliant**

**HSM 玄茂科技股份有限公司**  
**HSUAN MAO TECHNOLOGY CO., LTD.**

APPD. 核准		TOLERANCE .xx ±0.1 .x ±0.20 x ±	PART NAME 品名 IEEE1394 SOLDER TYPE 6P FEMALE BLACK INSULATOR ROHS
DWG. 製圖 Hedy		SCALE 比例 參考	SIZE. 紙張尺寸 A 4
DATE 制表日 2015/07/22	UNIT 單位 MM	REV. 版次 B	PART NO. 料號 C8324-06FSXB00R
	PAGE 張數 1 / 1		

1 2 3 4 5 6 7 8